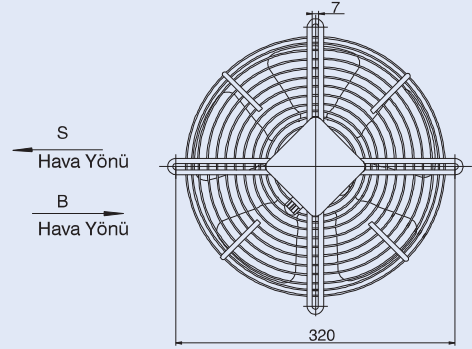
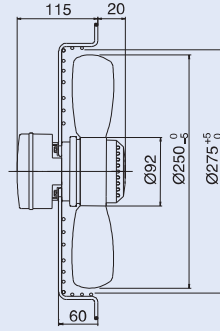


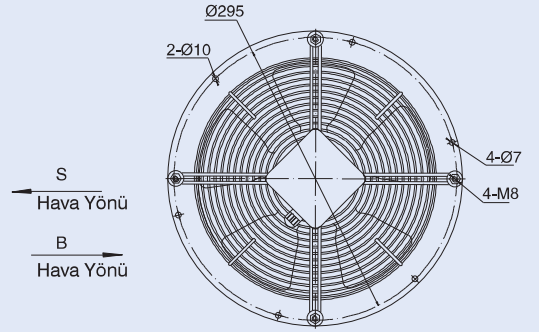
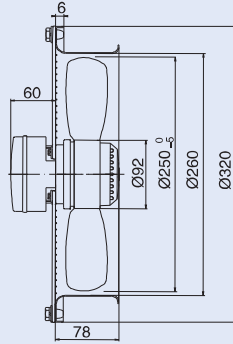
AC AKSİYEL FANLAR Φ 250



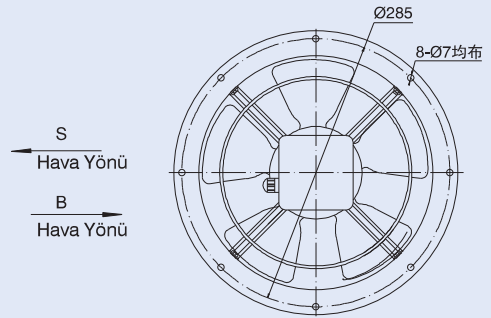
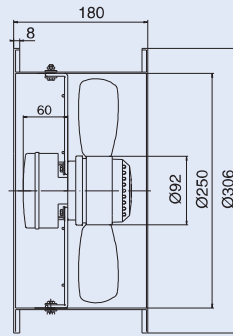
Izgaralı Fan
Grid Fan



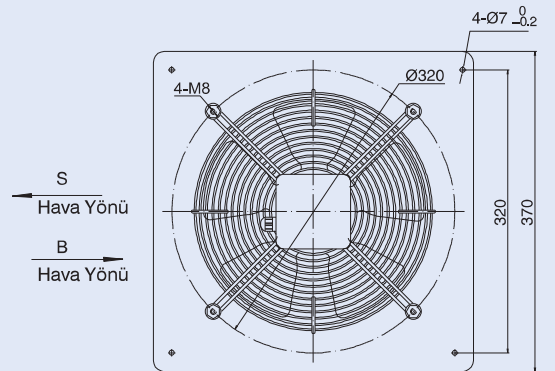
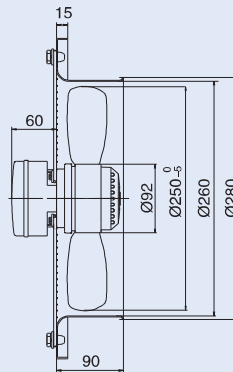
Yuvarlak Çerçevesel Fan
Round Frame Fan



Silindir Çerçevesel Fan
Cylinder Fan



Kare Çerçevesel Fan B0
Square Frame Fan B0

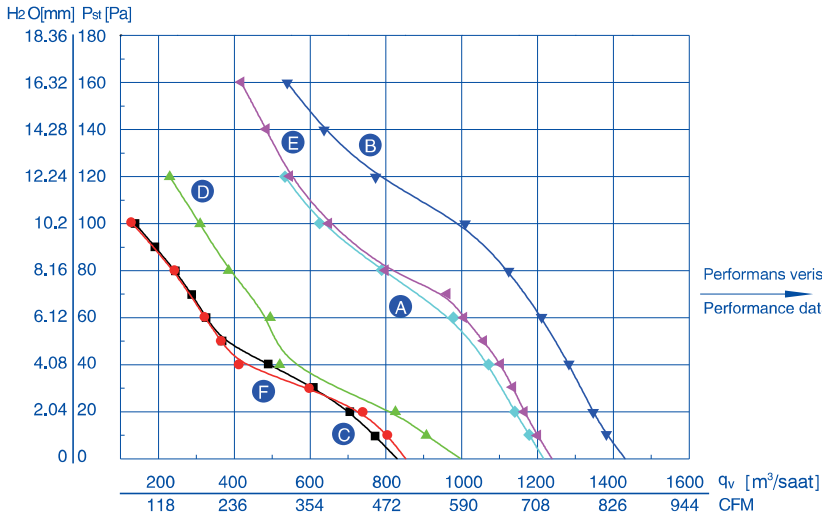




Çalışma modu : S1
 İzolasyon sınıfı : B、F
 Koruma sınıfı : IP44、IP54
 Ortam sıcaklığı : -30°C-60°C
 Sertifikalar: CCC、CE、UL

 Mode of operation: S1
 Insulation class: B、F
 Type of protection: IP44、IP54
 Ambient temperature: -30°C-60°C
 Certificates: CCC、CE、UL

MODEL	VOLTAJ	FREKANS	AKIM	GİRİŞ GÜCÜ	HIZ	HAVA DEBİSİ	KAPASİTÖR	SES SEVİYESİ	AĞIRLIK	EĞRİ NO.
TYPE	VOLTAGE	FREQUENCY	CURRENT	INPUT	SPEED	AIR FLOW	CAPACITANCE	NOISE	NET WEIGHT	CURVE NO.
	V	Hz	A	W	dev/dak	m ³ /saat	μ F	dBA	kg	
YWF2E-250S-92/25	220	50	0.35	80	2650	1215	3	60	2.5	(A)
	120	60	0.95	120	2850	1430	10	60	2.5	(B)
YWF4E-250S-92/25	220	50	0.23	50	1380	825	2	55	2.5	(C)
	120	60	0.55	65	1600	995	8	55	2.5	(D)
YWF2D-250S-92/25	380	50	0.20	80	2650	1235	/	60	2.5	(E)
YWF4D-250S-92/25	380	50	0.18	55	1400	850	/	55	2.5	(F)



CURVE NO. EĞRİ NO.	PRESSURE BASINÇ Pa	SPEED HIZ dev/dak	INPUT GİRİŞ GÜCÜ W	CURRENT AKIM A	AIR FLOW HAVA DEBİSİ m ³ /saat
(A)	20	2755	68	0.31	1140
	40	2710	71	0.33	1070
(B)	20	3270	86	0.72	1345
	40	3220	92	0.76	1280
(C)	20	1450	48	0.23	700
	40	1435	49	0.24	490
(D)	20	1720	62	0.51	825
	40	1705	64	0.53	520
(E)	20	2730	70	0.17	1165
	40	2680	76	0.18	1100
(F)	20	1455	58	0.17	740
	40	1440	59	0.17	410