

# AC AKSİYEL FANLAR $\Phi$ 300

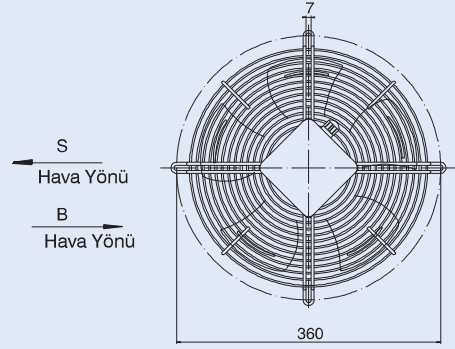
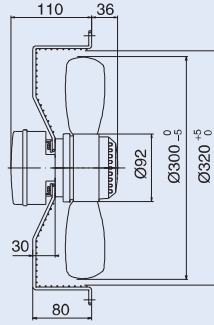
EC AKSİYEL FANLAR

DC AKSİYEL FANLAR

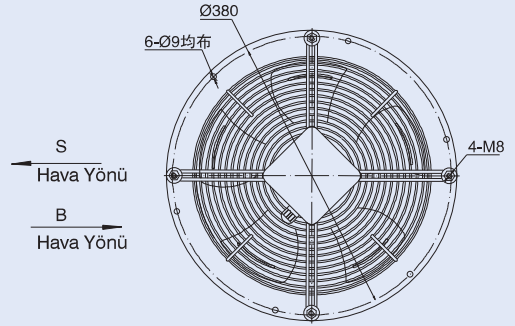
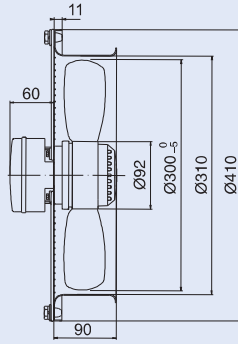
AC AKSİYEL FANLAR



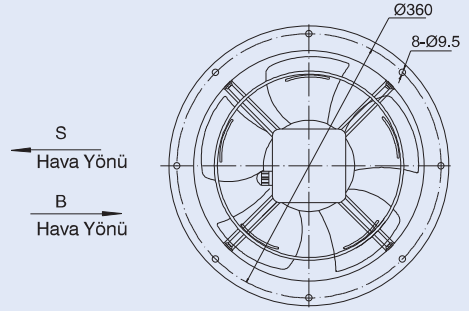
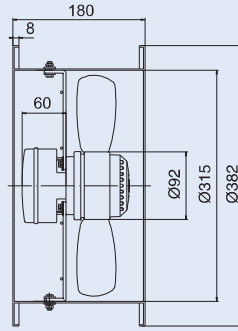
Izgaralı Fan  
Grid Fan



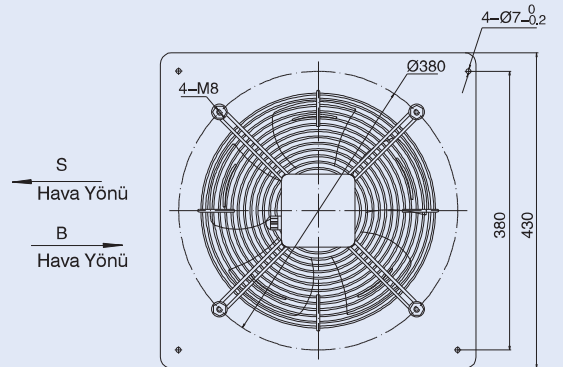
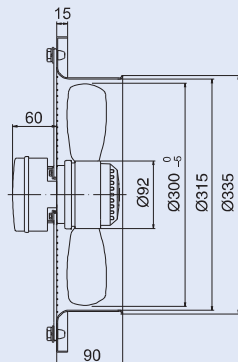
Yuvarlak Çerçevesel Fan  
Round Frame Fan



Silindir Çerçevesel Fan  
Cylinder Fan



Kare Çerçevesel Fan B0  
Square Frame Fan B0

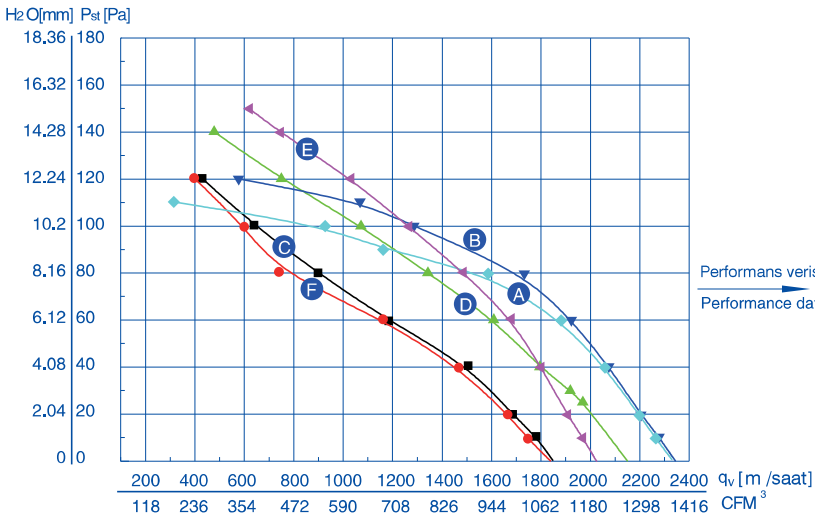




Çalışma modu : S1  
 İzolasyon sınıfı : B, F  
 Koruma sınıfı : IP44, IP54  
 Ortam sıcaklığı : -30°C-60°C  
 Sertifikalar: CCC, CE, UL  
 Hedeflenen enerji verimliliği : ErP2015

Mode of operation: S1  
 Insulation class: B, F  
 Type of protection: IP44, IP54  
 Ambient temperature: -30°C-60°C  
 Certificates: CCC, CE, UL  
 Target energy efficiency: ErP2015

| MODEL            | VOLTAJ    | FREKANS      | AKIM      | GİRİŞ GÜCÜ | HIZ           | HAVA DEBİSİ                   | KAPASİTÖR       | SES SEVİYESİ | AĞIRLIK       | EĞRİ NO.  |
|------------------|-----------|--------------|-----------|------------|---------------|-------------------------------|-----------------|--------------|---------------|-----------|
| TYPE             | VOLTAGE V | FREQUENCY Hz | CURRENT A | INPUT W    | SPEED dev/dak | AIR FLOW m <sup>3</sup> /saat | CAPACITANCE μ F | NOISE dBA    | NET WEIGHT kg | CURVE NO. |
| YWF2E-300S-92/35 | 220       | 50           | 0.66      | 145        | 2300          | 2330                          | 4               | 62           | 3.0           | (A)       |
|                  | 120       | 60           | 1.76      | 210        | 2300          | 2340                          | 16              | 62           | 3.0           | (B)       |
| YWF4E-300S-92/35 | 220       | 50           | 0.42      | 85         | 1380          | 1845                          | 3               | 60           | 3.0           | (C)       |
|                  | 120       | 60           | 0.85      | 95         | 1550          | 2150                          | 10              | 60           | 3.0           | (D)       |
| YWF2D-300S-92/35 | 380       | 50           | 0.25      | 145        | 2340          | 2025                          | /               | 62           | 3.0           | (E)       |
| YWF4D-300S-92/35 | 380       | 50           | 0.22      | 75         | 1380          | 1835                          | /               | 60           | 3.0           | (F)       |



| CURVE NO. EĞRİ NO. | PRESSURE BASINÇ Pa | SPEED HIZ dev/dak | INPUT GİRİŞ GÜCÜ W | CURRENT AKIM A | AIR FLOW HAVA DEBİSİ m <sup>3</sup> /saat |
|--------------------|--------------------|-------------------|--------------------|----------------|---|
| (A)                | 20                 | 2465              | 135                | 0.61           | 2200                                      |
|                    | 60                 | 2310              | 149                | 0.68           | 1880                                      |
| (B)                | 20                 | 2840              | 187                | 1.60           | 2205                                      |
|                    | 60                 | 2705              | 195                | 1.66           | 1920                                      |
| (C)                | 20                 | 1410              | 90                 | 0.41           | 1690                                      |
|                    | 60                 | 1365              | 98                 | 0.45           | 1185                                      |
| (D)                | 20                 | 1655              | 100                | 0.85           | 1975                                      |
|                    | 60                 | 1595              | 118                | 0.99           | 1605                                      |
| (E)                | 20                 | 2530              | 115                | 0.22           | 1910                                      |
|                    | 60                 | 2445              | 126                | 0.23           | 1680                                      |
| (F)                | 20                 | 1380              | 80                 | 0.20           | 1670                                      |
|                    | 60                 | 1330              | 92                 | 0.21           | 1160                                      |