



**ECM**  
**Shaded Pole Motors**



**Catalogue**

# DIRECTORY

## 目录












公司简介 Introduction .....	01-02
ECM 高效节能电机 Electronically Commutated Motors .....	03-14
ECM 贯流风机 ECM Cross flow Fans .....	15-16
YZF 系列罩极电机 YZF Series Shaded Pole Motors .....	17-24
YZF C Frame 系列罩极电机 YZF C Frame Series Shaded Pole Motors .....	25-27
YZF 系列罩极风机 YZF Series Shaded Pole Fan .....	28-34
YGF 系列贯流风机 YGF Series Cross Flow Fans .....	35-36
YJF 系列罩极电机 YJF Series Shaded Pole Motors .....	37-42



# Introduction

## 公司简介

杭州微光电子股份有限公司成立于1986年，是专业生产各类风扇电机的国家火炬计划重点高新技术企业和中国电子元件百强企业，企业通过ISO9001质量管理体系认证、ISO14001环境管理体系认证、OHSAS18001职业健康安全管理体系认证，公司拥有国家认可实验室，产品通过 、、、、 认证，外转子风机取得全国工业产品生产许可证。在激烈的市场竞争中，企业凭借严谨的科学管理，可靠的生产质量赢得了世界各地广大客户的信赖。我们将不断努力、竭诚为新老客户提供优质的产品和服务。

Hangzhou Weiguang Electronic Co., Ltd., established in 1986 is a high technology professional manufacturer of fan motors in Zhejiang Province, with , , , ,  approval and ISO9001, ISO14001, OHSAS18001 certification.

We believe in the policy of continuous improvement and is backed by a strong Research and Development Department.

With a world class laboratory for performance, endurance, noise level, airflow and static pressure, what ensures the competitive quality.

With state of the art manufacturing facility, reliable quality and scientific management, we have won the trust of customers all over the world. Do contact us to find a solution for your individual application.

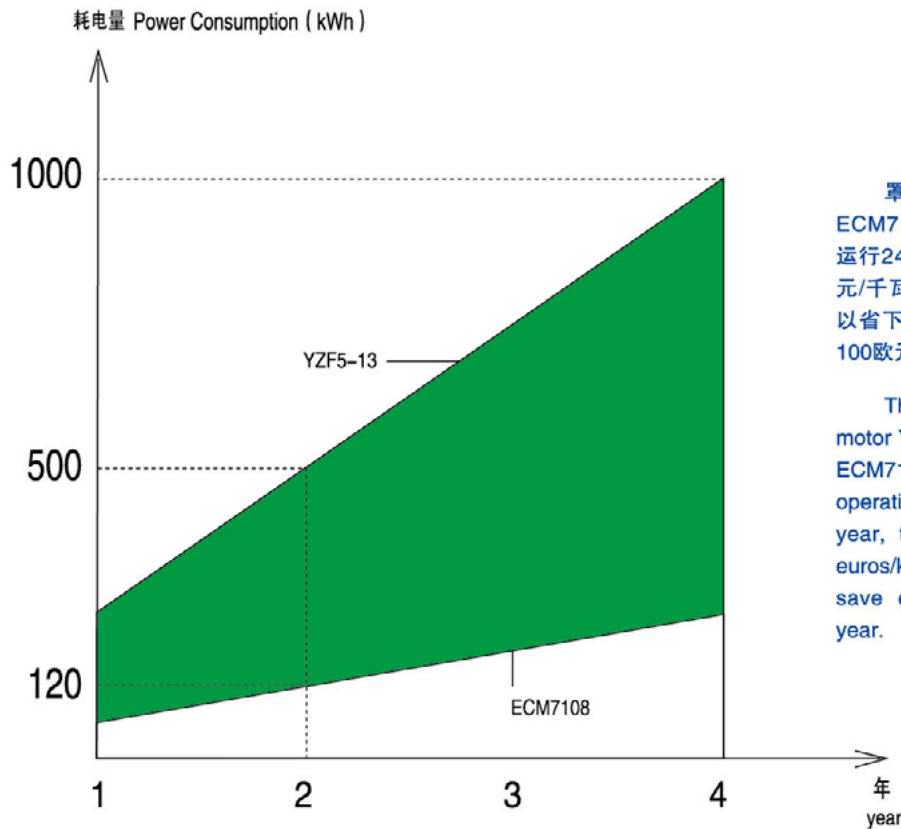


# ECM 高效节能电机

## Electronically Commutated Motor

微光全新一代ECM系列电机的设计采用了先进的电子控制技术，使电机的能效得到大幅度提高，ECM系列电机的外部结构设计与其YZF系列电机的外部结构基本保持一致，电机的附件如风叶，风圈，网罩，支架等均可通用，可以实现YZF系列电机与ECM系列电机的无差异替换。与YZF系列电机相比ECM系列电机的节能优势非常明显，ECM系列电机节能可高达70%，大幅度减少了需要支付电机运行的电费和二氧化碳的排放，不仅如此，由于ECM系列电机本身的发热非常小从而使整个制冷系统更加高效和电机运行更加稳定可靠。

The newest generation of ECM series motors are designed with advanced electronic control technology, make the motor efficiency greatly increased, the external structure design of ECM series motors will maintain the similar external structure design as YZF series motors, motor accessories such as fan blades, rings or grids, brackets for ECM motors are the same as YZF series', therefore ECM series motors can completely replace the YZF series motors without any other changes. Comparing with YZF series motors, ECM motors display an obvious advantage in energy saving, saving up to 70%, it can greatly reduce the electricity cost for motor operation and carbon dioxide emissions. Not only that, due to the heating of ECM series motors themselves are very low, it would lead to the entire refrigeration system works more efficient and make motor running more stable and reliable.



罩极电机YZF5-13额定输入29W，ECM7108额定输入7W，假设电机每天运行24小时，一年365天，电价0.13欧元/千瓦时，那么一台ECM7108每年可以省下的电费达25欧元，4年累计达到100欧元。

The input power of shaded pole motor YZF5-13 is 29W, input power for ECM7108 is 7W, assuming the motor operating 24 hours/day and 365 days a year, the cost for electricity is 0.13 euros/kWh, thus each ECM 7108 can save electricity about 25 euros per year.

## ECM电机概览 Overview of ECM motors

安装尺寸	与罩极电机完全一致	Installation dimension	Totally same as traditional shaded-pole motors
电压	AC100V-120V; AC220V-240V; DC24V	Voltage	AC100V-120V; AC220V-240V; DC24V
额定输出功率	5W; 15W; 20W	Output power	5W; 15W; 20W
外壳材料	塑料	Cover	Thermoplastic
转向	单转向CCW 上电反转 可控制正反转	Rotation direction	Single rotation CCW Reverse on start Reverse on demand
转速	单一转速, 两档转速	Speed	Single speed, 2 Speeds
绝缘等级	B/F	Insulation class	B/F
环境温度	-30℃-50℃	Working ambient temperature	-30℃-50℃
保护等级	Class II	Protection class	Class II
安装角度	任意	Mounting position	Any
工作方式	连续 (S1)	Operating mode	Continuous operating (S1)
防护等级	IP 65	Type of protection	IP 65
电磁兼容标准	EN60335, EN61000, EN55014	EMC/EMI	EN60335, EN61000, EN55014
轴承	免维护滚珠轴承	Bearing	Maintenance-free ball bearing
电机保护	软件保护	Motor protection	Via electronics
运行寿命	50,000小时	Service life	50,000 hours
认证	VDE, CE, CCC, ATEX, UL	Certifications	VDE, CE, CCC, ATEX, UL

## ECM电机型号介绍 Illustration of ECM

ECM 71 08 B BA 2 DA XXX



# ECM 高效节能电机

## Electronically Commutated Motor

### 主要特点

#### Main features

#### 1 高安全等级

电机外壳材料采用工程塑料，电机保护等级达到Class II的高安全等级，接地线也因此不再需要，从而可以节省额外开销。

#### 2 高IP防护等级 IP65

电机的全密封设计获得了更好的防潮效果，可以工作在高湿度、多灰尘的环境中。

#### 3 高可靠性

专利保护的双室绝缘设计使电子控制部分和电机有效隔离，防止水汽和灰尘进入电子控制部分。

#### High safety class

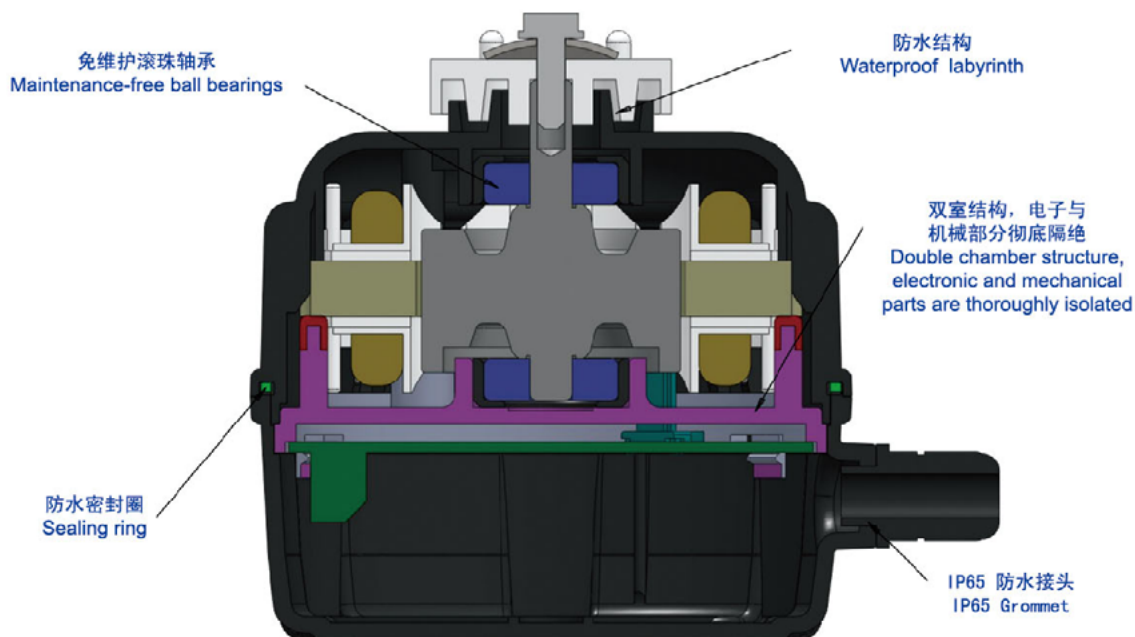
ECM motors adopt thermoplastic for housing and the protection level has achieved class II, therefore the earth conductor will be unnecessary and the cost will be reduced.

#### High protection class IP65

Enclosed motor design will have a better moisture-proof effect and make it possible to work in the high humidity and dust environment.

#### High reliability

The dual-chamber design(Patented) leads the motor can be effectively separated from electronic control area in order to avoid dust and humidity enter into the cavity of control board.



器件的选型上，我们与世界领先的供应商紧密合作，严格保证产品的品质。

我们的研发人员，模拟电机真实的工况，做了各种测试，如温度、振动、寿命测试等，这使我们的设计更加可靠。

每一个器件，每一种结构，每一个细节，我们都精心考虑。这样，电机和控制板实现了最佳的匹配，在实际工况下，我们得到的寿命远高于50,000小时。

Regarding components selection, we cooperate with the world's leading suppliers in order to offer the best quality.

Our R&D department has done various of tests to simulate the real working conditions of the fans (such as temperature, vibration, lifetime, etc.) in order to make the design more reliable.

All of our products are designed with high quality and long lifetime. We work over every part of our ECM motor, carefully choose devices and materials, together with suitable control board and intelligent protection system, our motors had achieved a life expectancy over 50,000 hours in continuous working conditions.

#### 4 恒速控制

由于采用了恒转速控制技术，即使在电网电压频繁波动和负载叶片变换的情况下，电机转速基本保持不变，确保制冷系统正常工作，避免了由于转速波动产生的噪声。

#### 5 上电反转

通过工厂设定的程序实现每次电机通电工作时先反转程序预设的时间，然后再进入正常运转，这一重要的功能可以保持冷凝器更干净，减少积灰，使制冷系统更高效。并且，实现该功能不需要额外的信号控制。

#### 6 可控制反转

通过此特性，您可以自己决定反转的时机和持续时间。比如，在压缩机停止或者除霜期间，您可以启动电机反转进行除尘。重要的是，不需要额外的继电器，可以节省更多成本。

#### 7 两档转速

通过工厂设定的程序可以使ECM电机分别在高速和低速两种状态下工作，这种功能通常在具有白天和夜间模式的制冷系统应用中非常有用，为此可以节省更多能源和降低噪声。

#### 8 0-10V 无级调速

0-10V无级调速电机可以通过0-10Vdc控制信号进行无级调速，从而实现对控制系统的智能控制，达到更好的节能效果。

#### Constant speed control

Constant speed control means the motor maintains a constant speed across a wide range of voltages and fan blades, it will help the cooling system work properly and avoid the noise generated by the fluctuation of motor speed.

#### Reverse on start

ECM motors can run backwards automatically when start-up through pre-set of the programme. This important function can help to blow away dust from the heat exchanger of the condenser in order to make the refrigeration system more efficient. Further more, there is no extra signal control needed to achieve this function.

#### Reverse on demand

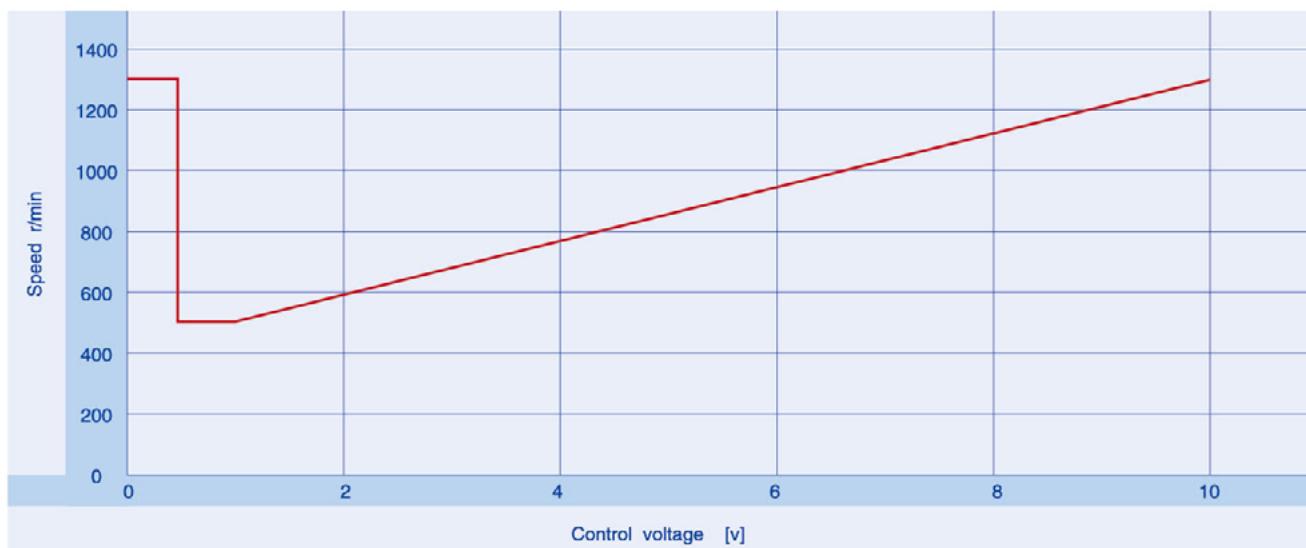
With this feature, you can determine the time and duration of reverse running. For example, during the compressor "off" period or the defrost cycle, you can start reverse running to blow away dust. Moreover, without needs of extra relays can save more cost.

#### Two speeds

ECM motors can run both in high-speed and low-speed through pre-set programme by Supplier, this function would be very useful in the refrigeration system application which has daytime and nighttime modes, thus to save more energy and reduce the noise.

#### 0-10Vdc full speed control

ECM 0-10V step-less speed regulation motors operators can control the 0-10Vdc to control the signal line to process step-less speed regulation. It will intelligently control the control system and result in better energy saving effect.



# ECM 高效节能电机

## Electronically Commutated Motor

### ECM电机接线图

#### Connection diagram

**L** 棕色 / Brown

115/230V,50/60Hz

**N** 蓝色 / Blue



标准型 Standard

**L** 棕色 / Brown

115/230V,50/60Hz

**N** 蓝色 / Blue

Reversible rotation

**Control** 黑色 / Black



正反转 Reversible

**L** 棕色 / Brown

115/230V,50/60Hz

**N** 蓝色 / Blue

2<sup>o</sup> Speed(low)

**Control** 黑色 / Black



双速 2 Speeds

**24Vdc** 棕色 / Brown

24Vdc

**GND** 蓝色 / Blue

**0-10Vdc** 黑色 / Black



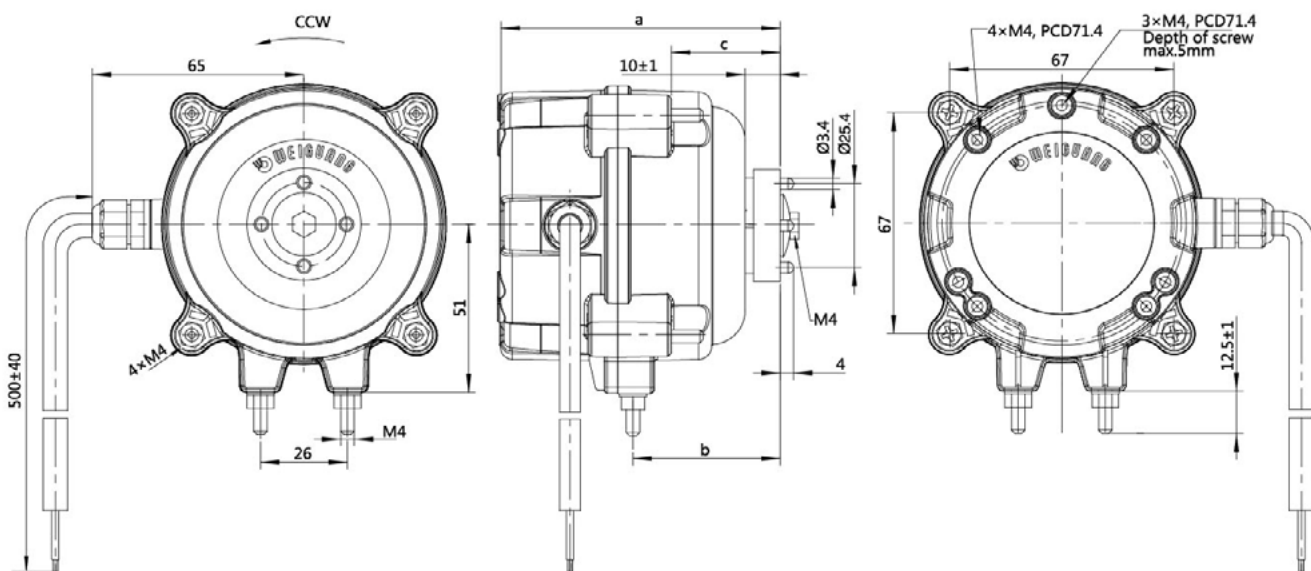
24Vdc



## 技术参数 Technical specifications

Nominal data		Voltage	Frequency	Speed	Output capacity	Perm.amb.temp	Dimensions		
Type	Features	V	Hz	r/min	W	°C	a	b	c
7108	Standard CW&CCW 2 Speeds	AC115/230	50/60	500-2200	5	-30°C-50°C	83	43.5	32.5
7112	Standard CW&CCW 2 Speeds	AC115/230	50/60	500-2200	15	-30°C-50°C	87	43.5	32.5
	Vari-speed	DC24	—	500-2200	15	-30°C-50°C			
7120	Standard CW&CCW 2 Speeds	AC115/230	50/60	500-2200	20	-30°C-50°C	95	43.5	32.5
	Vari-speed	DC24	—	500-2200	20	-30°C-50°C			

## 安装尺寸 Installation dimensions



# ECM 高效节能电机

## Electronically Commutated Motor

### ECM电机负载功率

#### ECM motor input power with axial impellers

Type P in (W)	ECM 7108	ECM 7112	ECM 7120	ECM 7108	ECM 7112	ECM 7120	ECM 7108	ECM 7112	ECM 7120	ECM 7108	ECM 7112	ECM 7120	ECM 7108	ECM 7112	ECM 7120
	22°			25°			28°			31°			34°		
Fan Ø(mm)	22°			25°			28°			31°			34°		
Speed 1300 r / min															
154	2.8	-	-	3.1	-	-	3.3	-	-	3.9	-	-	4.3	-	-
172	3.5	2.9	-	3.7	3.2	-	4.2	3.5	-	5.2	4.5	-	5.9	5.0	-
200	4.7	3.8	-	5.8	4.7	-	6.5	5.6	-	-	6.7	-	-	8.1	-
230	-	7.8	7.3	-	8.6	8.4	-	12.8	9.6	-	14.8	11.0	-	19.8	13.2
254	-	10.5	9.7	-	14.3	12.2	-	17.8	14.8	-	20.8	17.2	-	-	20.4
Speed 1450 r / min															
154	3.2	-	-	3.6	-	-	4.0	-	-	5.1	-	-	6.0	-	-
172	3.7	3.2	-	4.1	3.7	-	4.8	4.4	-	6.2	5.6	-	6.8	6.2	-
200	5.4	4.8	-	6.5	5.7	-	-	7.2	-	-	9.6	-	-	11.2	-
230	-	9.8	9.2	-	11.3	10.6	-	13.6	12.6	-	15.8	14.2	-	-	18.1
254	-	13.8	12.6	-	19.4	16.1	-	-	19.8	-	-	22.4	-	-	26.6
Speed 1550 r / min															
154	3.7	-	-	4.2	-	-	4.8	-	-	6.2	-	-	6.7	-	-
172	4.6	3.8	-	5.2	4.3	-	5.5	5.3	-	7.1	6.8	-	-	7.6	-
200	6.2	5.6	-	-	6.8	-	-	8.4	-	-	11.2	-	-	13.7	-
230	-	11.5	11.8	-	14.3	14.2	-	17.5	15.6	-	20.4	18.6	-	-	22.4
254	-	17.2	15.7	-	-	20.8	-	-	25.2	-	-	29	-	-	-
Speed 1800 r / min															
154	4.1	-	-	4.5	-	-	5.3	-	-	6.7	-	-	-	7.5	-
172	5.7	5.0	-	6.7	5.9	-	-	7.2	-	-	9.6	-	-	11.2	-
200	-	8.3	-	-	9.9	-	-	12.4	-	-	17.5	16.2	-	-	18.4
230	-	17.8	16.2	-	-	19.2	-	-	22.4	-	-	25.6	-	-	-
254	-	-	-	-	-	-	-	-	-	-	-	-	-	-	-

**ECM电机负载选型图**  
Matching motor-fan

Speed	FAN					
	154	172	200	230	254	300
Aluminium fan 1300 r/min	22°	22°	22°	22°	22°	22°
	25°	25°	25°	25°	25°	25°
	28°	28°	28°	28°	28°	
	31°	31°	31°	31°	31°	
	34°	34°	34°	34°	34°	
Aluminium fan 1450 r/min	22°	22°	22°	22°	22°	22°
	25°	25°	25°	25°	25°	
	28°	28°	28°	28°	28°	
	31°	31°	31°	31°	31°	
	34°	34°	34°	34°	34°	
Aluminium fan 1550 r/min	22°	22°	22°	22°	22°	
	25°	25°	25°	25°	25°	
	28°	28°	28°	28°	28°	
	31°	31°	31°	31°		
	34°	34°	34°	34°		
Aluminium fan 1800 r/min	22°	22°	22°	22°	22°	
	25°	25°	25°	25°		
	28°	28°	28°	28°		
	31°	31°	31°	31°		
	34°	34°	34°			

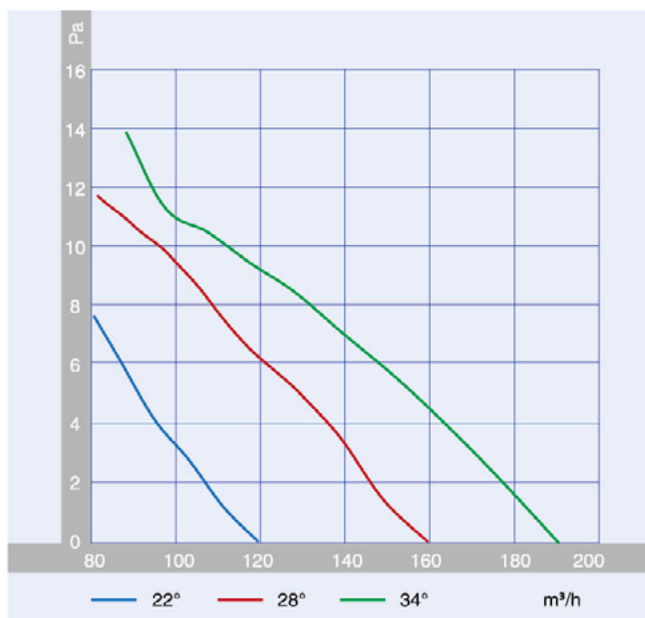
 ECM7108  
 ECM7112  
 ECM7120

# ECM 高效节能电机 Electronically Commutated Motor

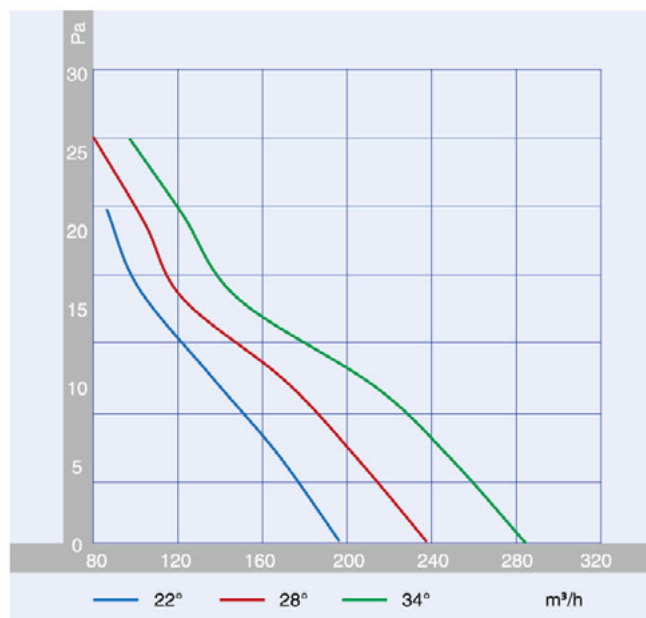
## ECM电机风量曲线

Air performance curves at a constant speed of 1300 r/min

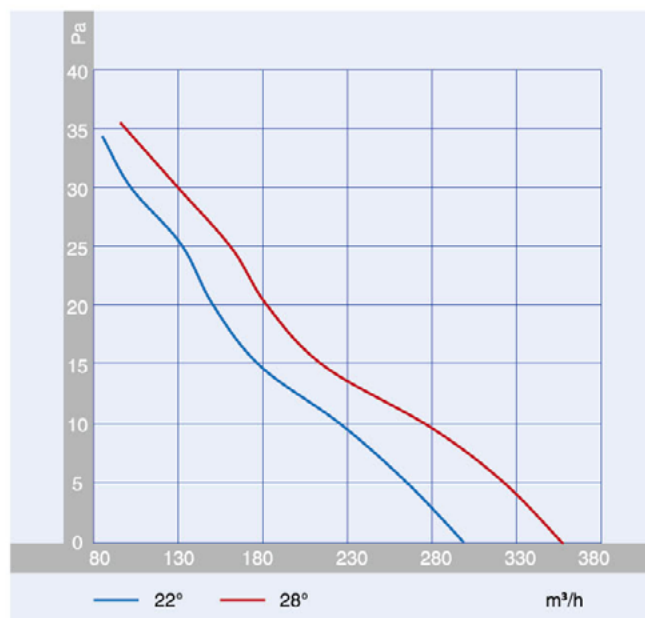
ECM 7108  $\Phi 154$



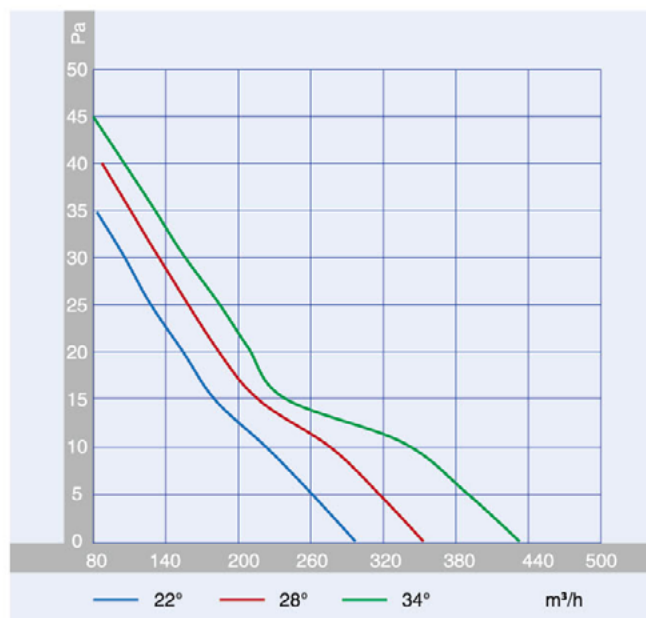
ECM 7108  $\Phi 172$



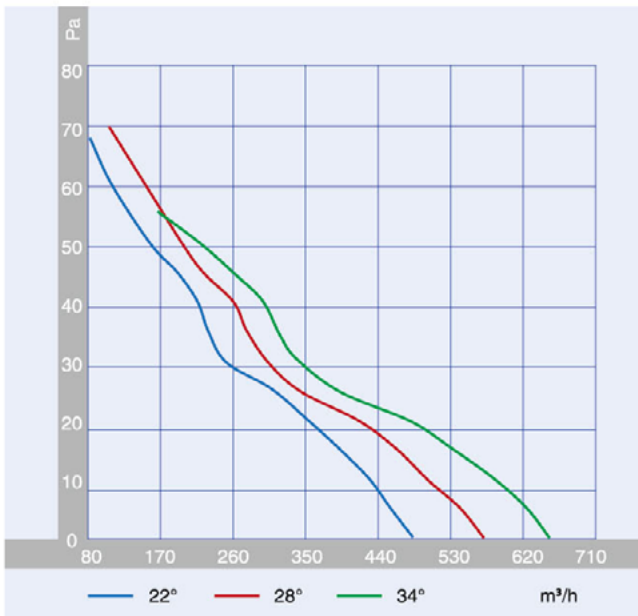
ECM 7108  $\Phi 200$



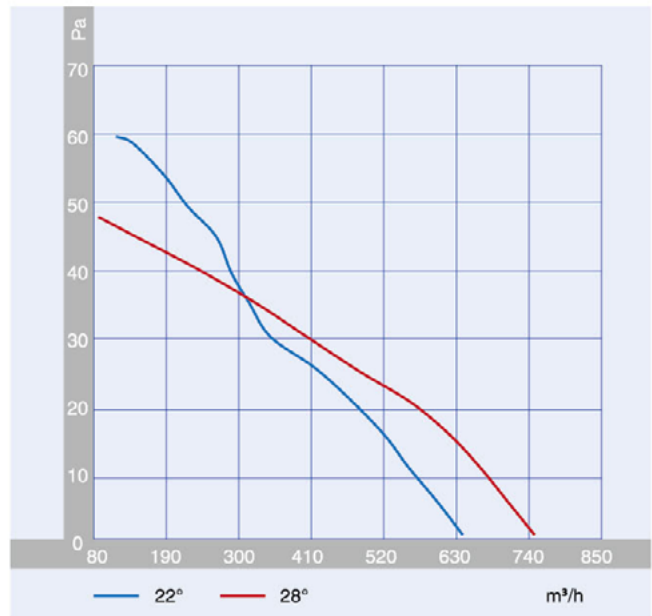
ECM 7112  $\Phi 200$



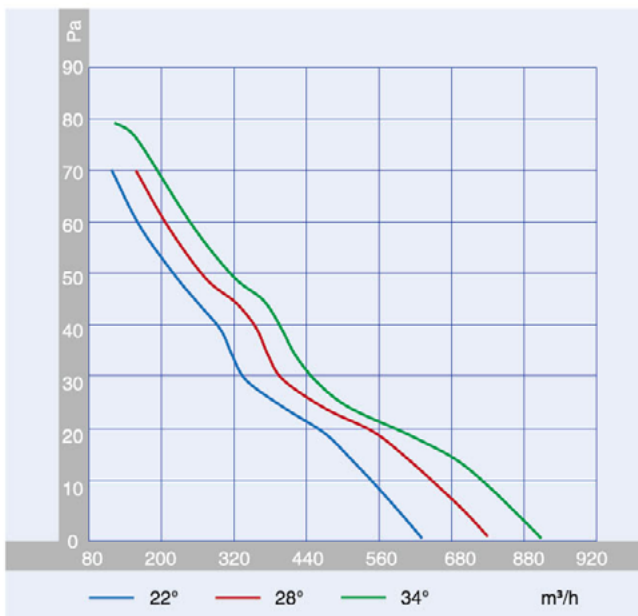
**ECM 7112 Φ230**



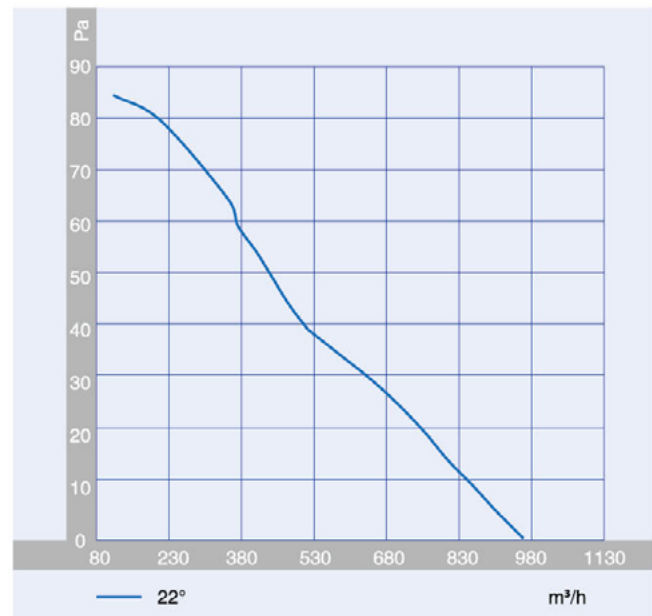
**ECM 7112 Φ254**



**ECM 7120 Φ254**



**ECM 7120 Φ300**



## 高效降噪塑料风叶 High efficiency & Low noise fan blade

风叶，作为风机的一个重要部分，直接影响了风机的性能。高效低噪型ECM配套风叶，是微光最新研发具有自主专利的新型风叶。它充分结合了空气动力学和仿生学，对风叶结构进行优化，达到了最佳的效率和最低的运行噪音。

The fan blade, as an important part of the fan motor, has a significant effect on motor performance. The new fan blade is specially designed for the ECM motors. It combines the advanced aerodynamics and bionics to optimize the structure to achieve the best fan efficiency and the lowest running noise.



### 风机效率对比 Fan efficiency compare

ø 200 @ 1300 r/min				
Pressure (Pa)	Airflow (m <sup>3</sup> /h)		Power (W)	
	AL	Plastic	AL	Plastic
0	433	441	7	6
10	337	370	8	7
20	210	275	10	7
30	156	179	11	8

### 噪声对比 Noise compare



	Ø172 @ 1300 r/min	Ø200 @ 1300 r/min	Ø254 @ 1300 r/min
铝风叶 AL	39.3 dB	40.9 dB	51.2 dB
塑料风叶 Plastic	34.9 dB	37.4 dB	46.6 dB

## 技术规格

### Technical specification

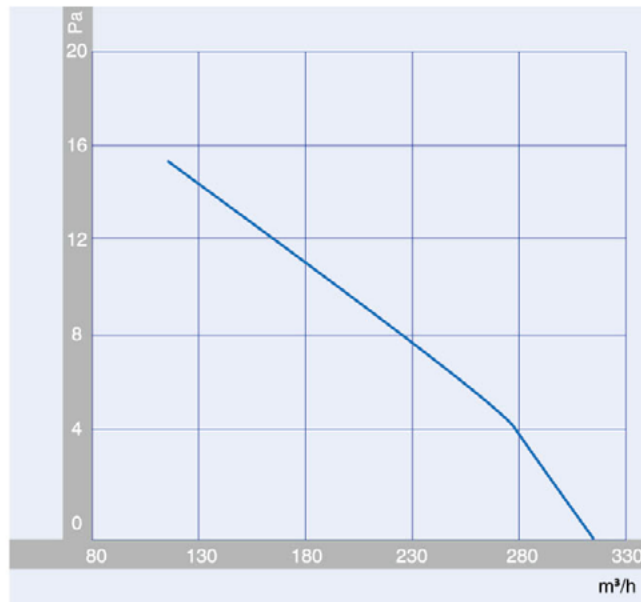
风叶直径	172mm ~ 254mm
材料	塑料
角度	22° ~ 34°
温度	-30℃ ~ +50℃

Fan diameter	172mm ~ 254mm
Material	Plastic
Angle	22° ~ 34°
Working amb. temp	-30℃ ~ +50℃

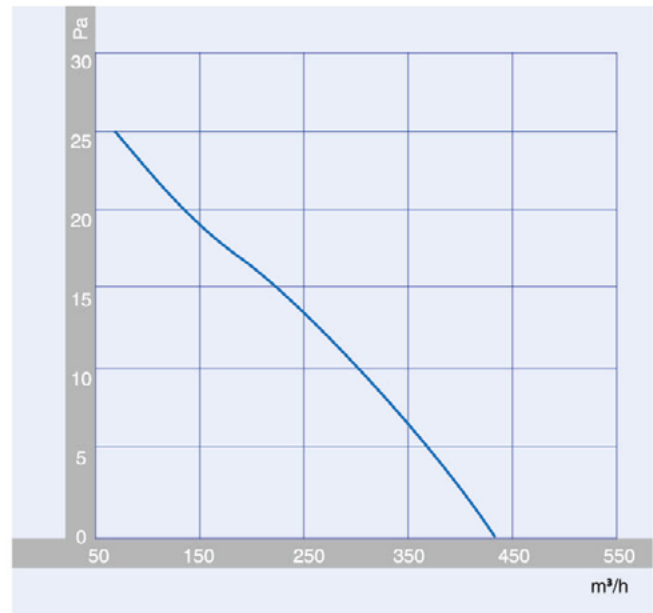
## 高效降噪风叶风量曲线

### Airflow curve at a constant speed of 1300 r/min

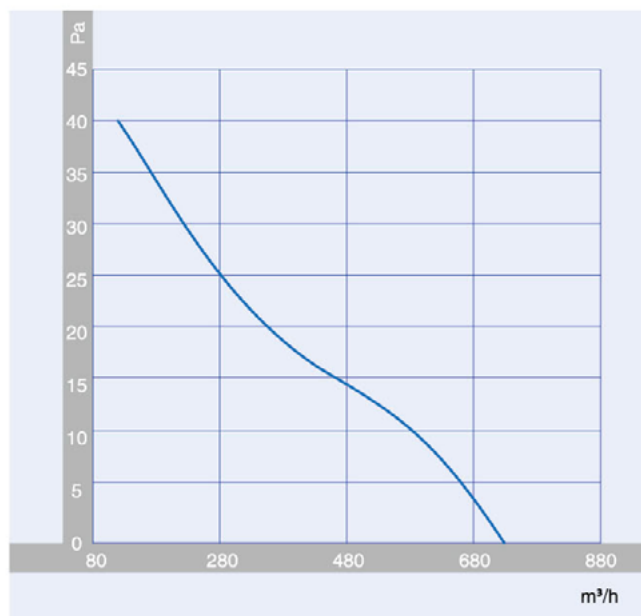
#### Φ172/34°



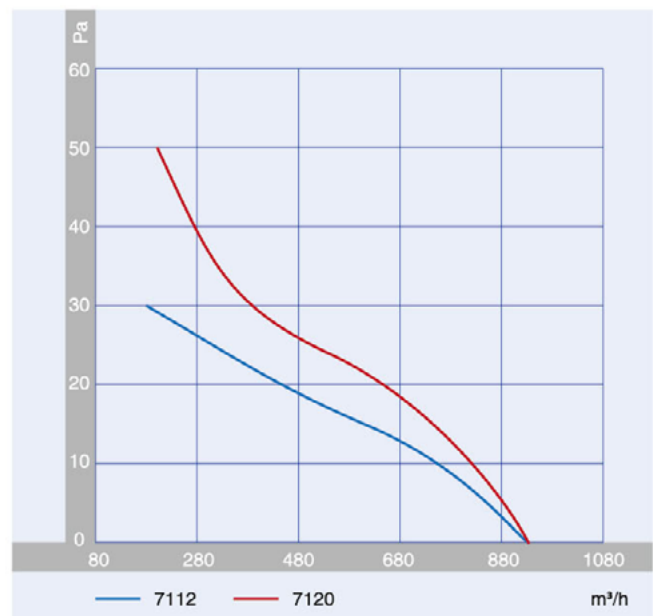
#### Φ200/28°



#### Φ230/28°



#### Φ254/25°



# ECM 贯流风机

## ECM Crossflow Fans



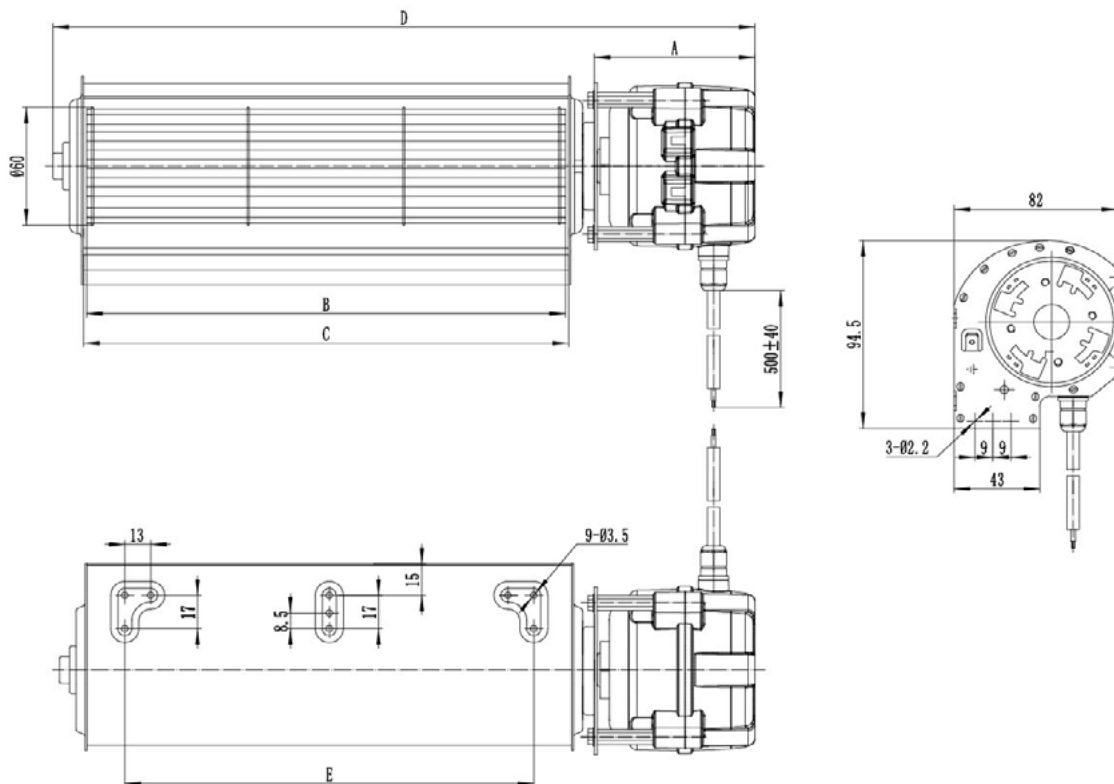
### 技术参数

### Technical specifications

Scroll diameter (mm)	Motor	Voltage	Speed	Ambient Temp	A	B	C	D	E
YGF60-180	ECM7108	AC115/230	1300 ~ 2300	-30℃ ~+50℃	80	180	184	285	153.5
YGF60-240	ECM7112	AC115/230	1300 ~ 2300	-30℃ ~+50℃	84	240	243	352	210.5
YGF60-300	ECM7112	AC115/230	1300 ~ 2300	-30℃ ~+50℃	84	300	303	408	270.5
YGF60-360	ECM7112	AC115/230	1300 ~ 2300	-30℃ ~+50℃	84	360	363	468	330.5
YGF60-420	ECM7112	AC115/230	1300 ~ 2300	-30℃ ~+50℃	84	420	423	528	390.5

### 安装尺寸

### Installation dimensions

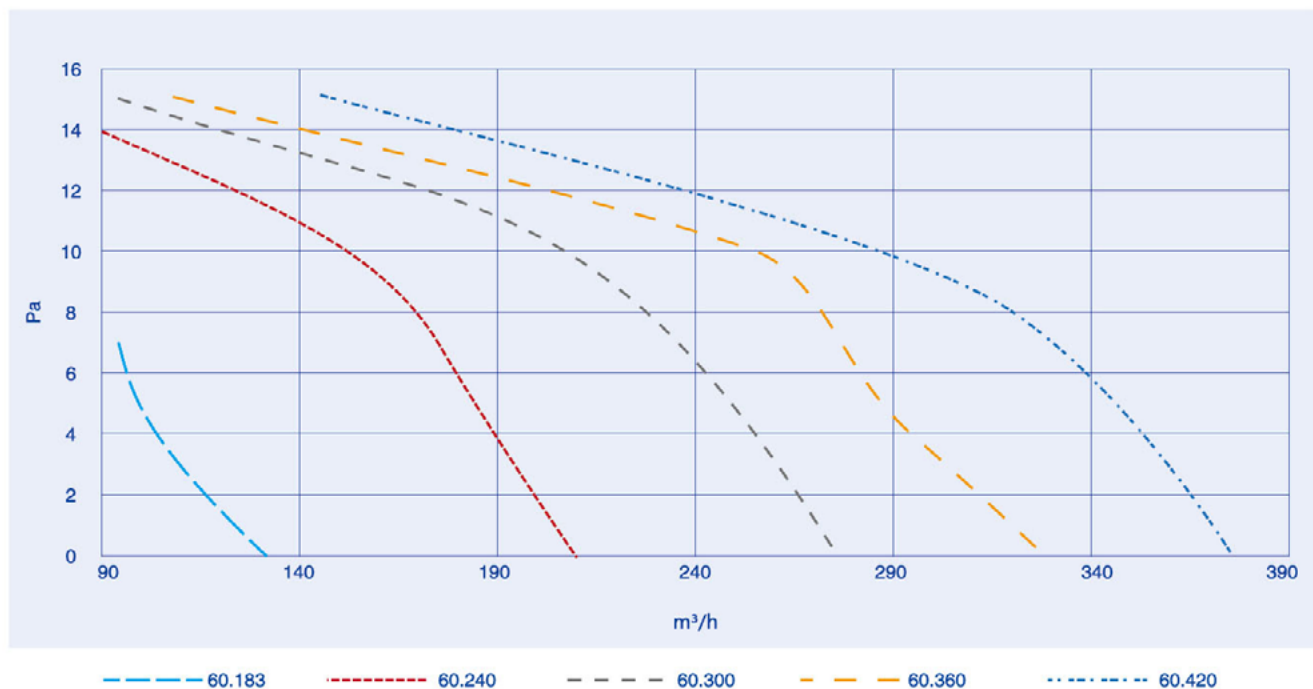


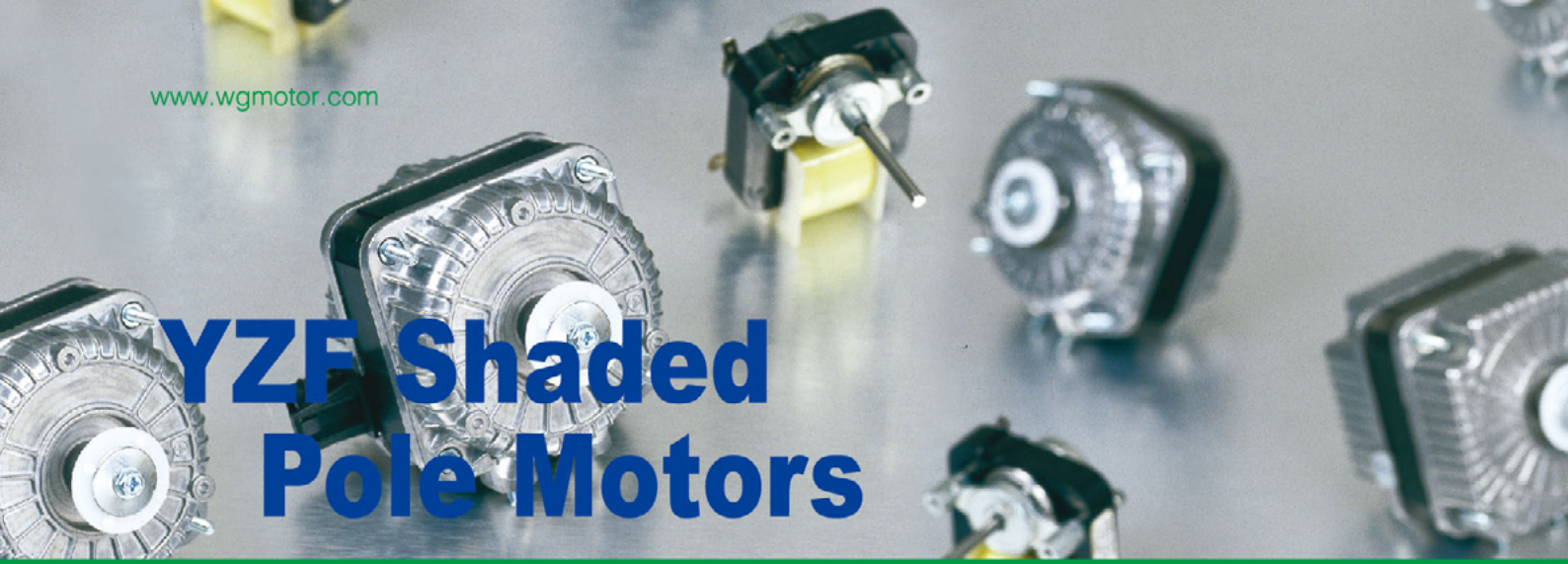


## 输入功率 Input Power

Model	60 × 183 mm	60 × 240 mm	60 × 300 mm	60 × 360 mm	60 × 420 mm
Speed of 1550 r/min					
ECM7108	4.0	5.1	5.9	–	–
ECM7112	3.5	4.9	5.4	9.0	14.5
Speed of 1800 r/min					
ECM7108	5.1	6.9	8.5	–	–
ECM7112	4.3	6.1	7.6	11.3	17.5
Speed of 2200 r/min					
ECM7108	7.5	–	–	–	–
ECM7112	6.9	9.5	13.2	17.3	20.8

## 风量曲线 Flow curve at a constant speed of 2300 r/min





# YZF Shaded Pole Motors

## YZF 系列产品概述 Summary of YZF Series Shaded Pole Motors

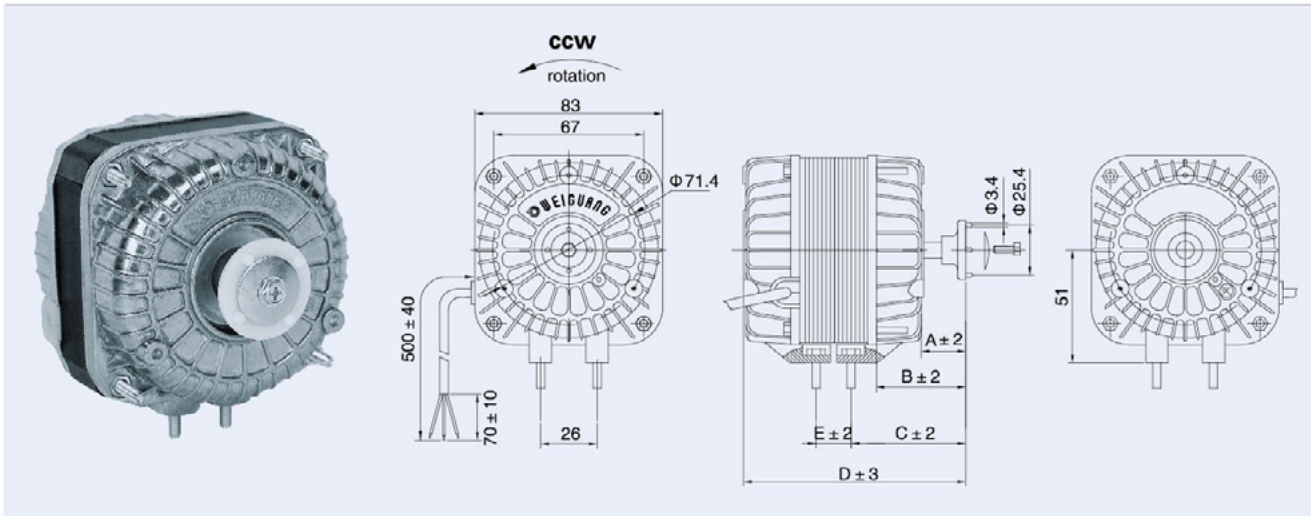
- YZF系列电机为单相、4极的罩极式电动机，额定电压为220-240V，50/60Hz或110-120V，60Hz。可以特殊订制110V/220V双压电机。广泛应用在散热器、蒸发器等制冷设备和小型通风设备。
- 电机使用的所有原材料均通过RoHS认证。
- 电机的输出功率范围从2W到34W，通过改变铁芯厚度和绕线参数来调整电机的输出功率。
- 电机的绝缘等级为B级，防护等级为IP42。可根据客户要求生产绝缘等级为F、H级电机，防护等级为IP44的电机。
- 输出功率在10W以下的电机采用阻抗保护，输出功率大于10W采用热保护器，热保护器的断开温度为125℃ ± 5℃、135℃ ± 5℃或150℃ ± 5℃。
- 一般电机适用环境温度为-30℃ ~ 50℃。
- 由于我厂生产的标准电机是采用含油轴承，所以工厂建议采用水平方式安装电机，同时我们也可根据客户要求生产滚动轴承电机。
- 电机平均使用寿命为20000小时以上。
- 大部分的电机通过CCC、CE、VDE、UL认证。
- 电机使用前，必须将电机接地线与外部接地装置有效连接。
- YZF series motors are shaded pole motors with single phase, 4 shaded poles and running at rated voltage of 220~240V, 50/60Hz or 110~120V, 60Hz. They are widely used in the radiator, evaporator and other refrigeration equipment.
- All material conform to RoHS.
- The output power is from 2W to 34W, Which is relative to the stack length and coil parameters.
- The insulation class of motors is B, and the protection class of that is IP42. On request IP44 is available.
- The motor, which output power less than 10W are impedance protection and the motors, which output is bigger than 10W, are thermal protected. The thermal protector's is 125℃ ± 5℃, 135℃ ± 5℃ or 150℃ ± 5℃.
- The applicable ambient temperature is from -30℃~50℃.
- Because our standard motors adopt sleeve bearing. we suggest installing these motors horizontally. On request motors can be furnished with ball bearings.
- The average service life of motors is over 20000 hours.
- Most of shaded pole motors passed CE VDE UL and CCC approval.
- Before operating the motor, make sure the earth wire of the motor connected with the external grounding device.

## 型号说明 Illustration of model

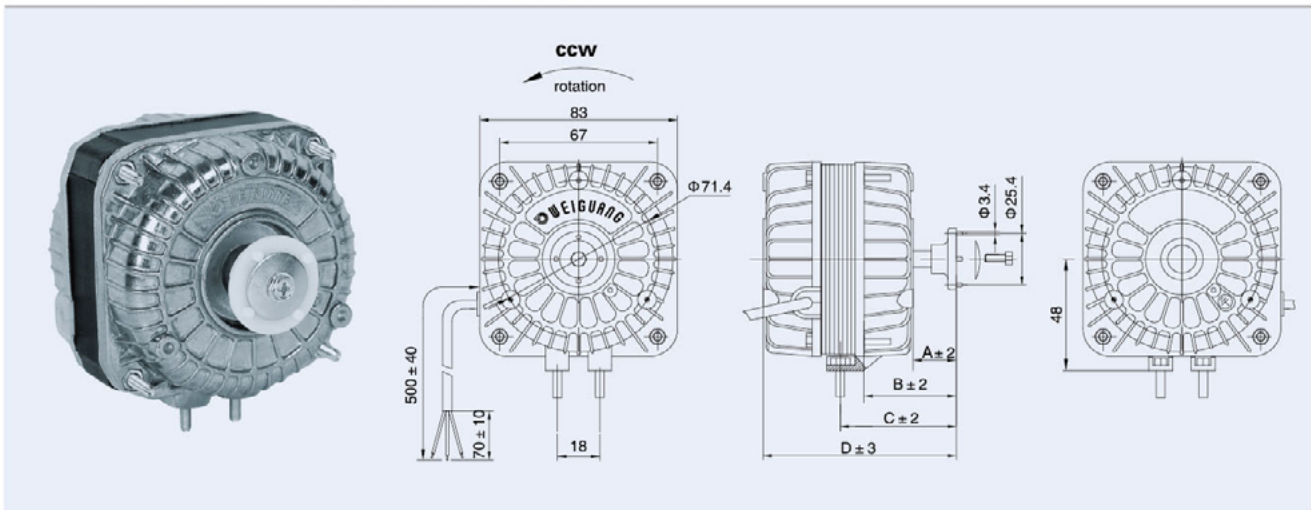
YZF 5 - 13 - 18



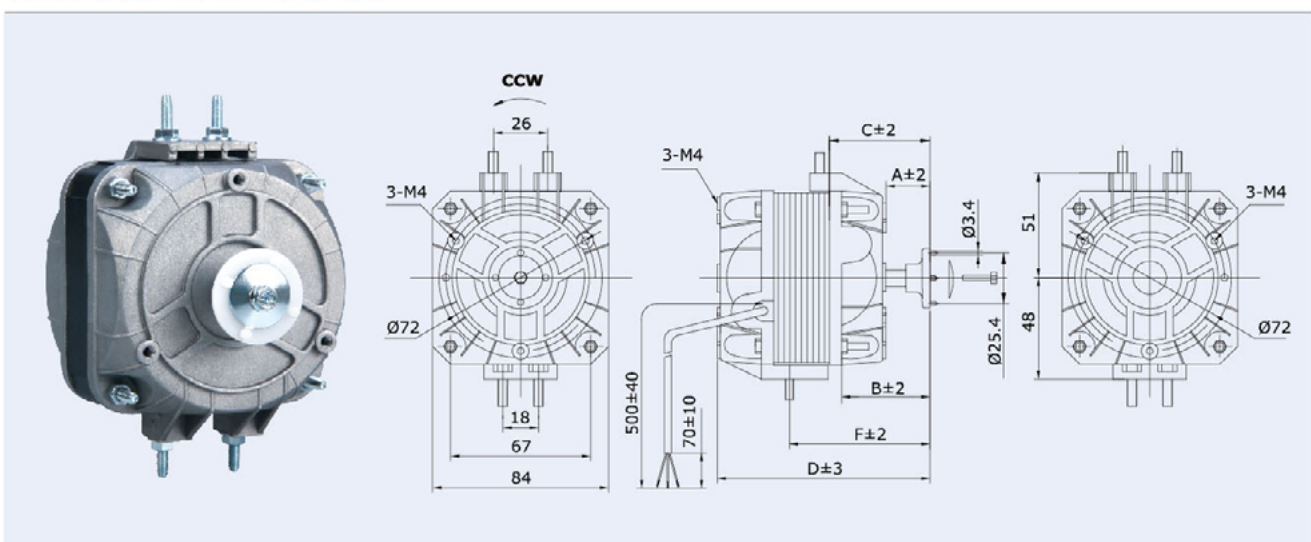
## YZF26 罩极电机 Shaded Pole Motors



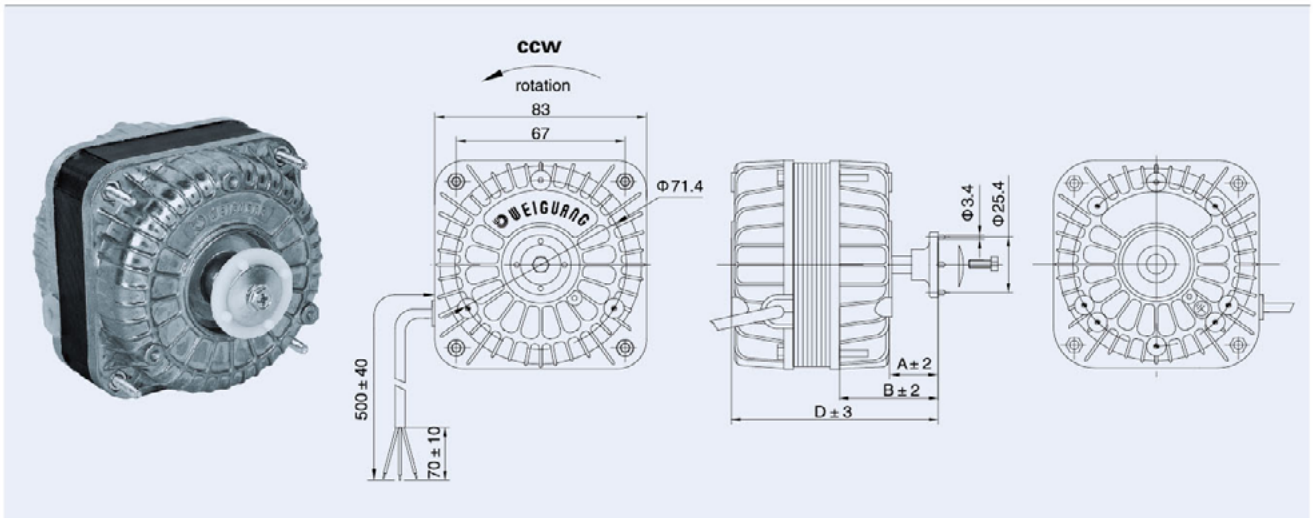
## YZF18 罩极电机 Shaded Pole Motors



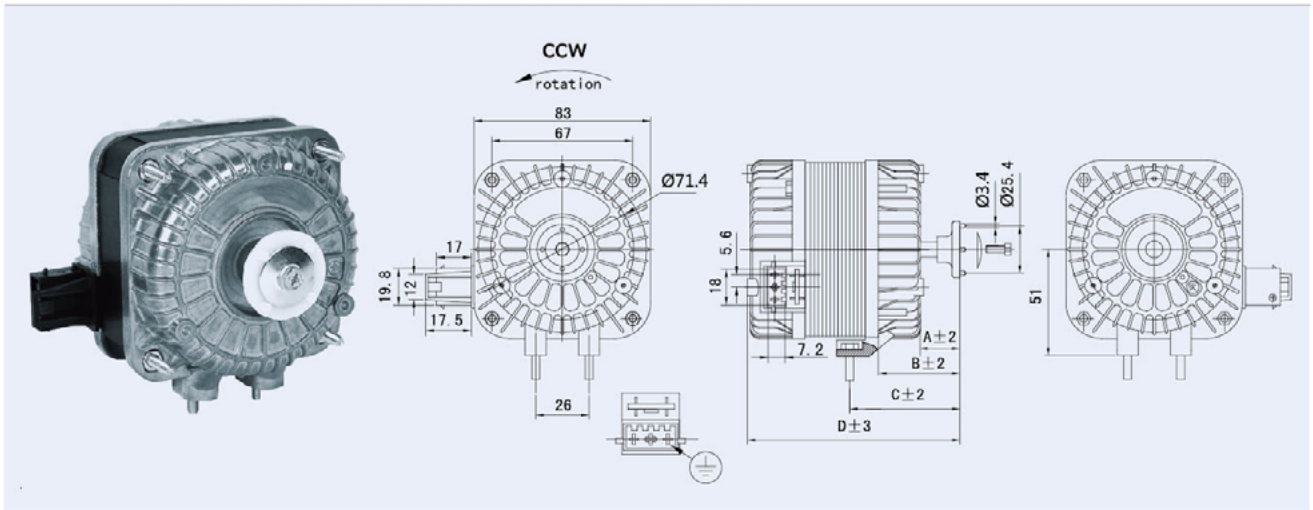
## YZF18/26 罩极电机 Shaded Pole Motors



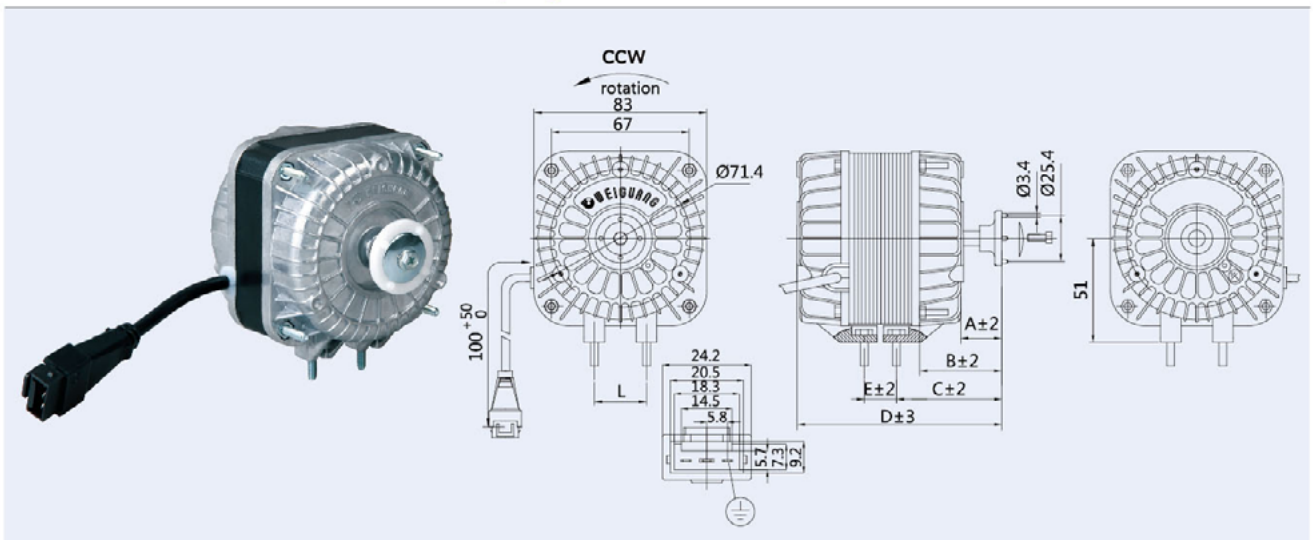
# YZFOO 罩极电机 Shaded Pole Motors



# YZF-P 带端子电机 With Pin Terminal Motors



# YZF 带插头电机 Motors with plug

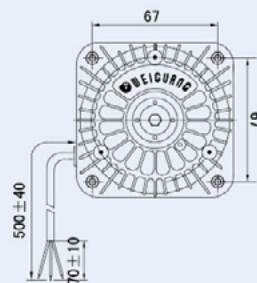


# Specification 电机性能参数表

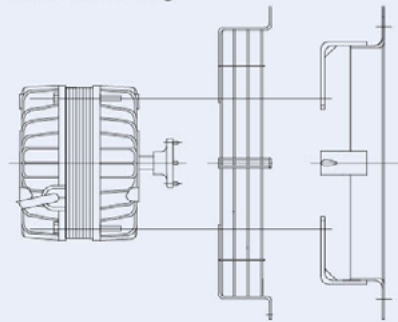
TYPE 型号	VOLTAGE 额定电压 V	FREQUENCY 额定频率 Hz	RATED INPUT 额定功率 W	OUTPUT 输出功率 W	RATED CURRENT 额定电流 A	RATED SPEED 额定转速 r/min	AIR VOLUME 额定风量 m <sup>3</sup> /h	FAN BLADE 风叶型号 mm	NET WEIGHT 净重 kg	A mm	B mm	C mm	D mm	E mm	F mm
YZF 2-13	220~240	50/60	20	2	0.14	1300	205	Φ172	0.8	16.5	35.5	46	81	-	45
YZF 5-13	220~240	50/60	29	5	0.20	1300	455	Φ200	0.8	16.5	35.5	46	81	-	45
YZF 6-13	110~120	60	33	6	0.55	1550	510								
YZF 7-20	220~240	50/60	31	7	0.23	1300	640	Φ230	1.1	16.5	35.5	46	87	-	51
YZF10-20	220~240	50/60	36	10	0.25	1300	650	Φ230	1.1	16.5	35.5	46	87	-	51
	110~120	60	55	10	0.80	1550	800								
YZF12-20	220~240	50/60	54	12	0.36	1300	690	Φ230	1.1	16.5	35.5	46	87	-	51
YZF16-25	220~240	50/60	60	16	0.45	1300	760	Φ254	1.4	15.5	34.5	45	92	-	56
YZF18-25	110~120	60	70	18	1.01	1550	940								
YZF18-30	220~240	50/60	70	18	0.50	1300	1000	Φ254	1.5	18	38	48.5	101	21	64.5
	110~120	60	75	18	1.00	1450									
YZF25-40	220~240	50/60	90	25	0.70	1300	1030	Φ300	1.8	19	39	49.5	112	31	75.5
	110~120	60	100	25	1.40	1450									
YZF34-45	220~240	50/60	110	34	0.85	1300	1210	Φ300	2.0	23	43	53.5	121	36	84.5
	110~120	60	110	34	1.50	1450									

## YZF系列 罩极电机安装方式 Installation of Shaded Pole Motor

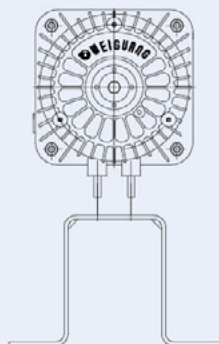
A、网罩、法兰安装



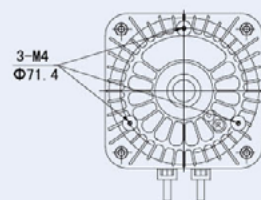
With Grid or Ring



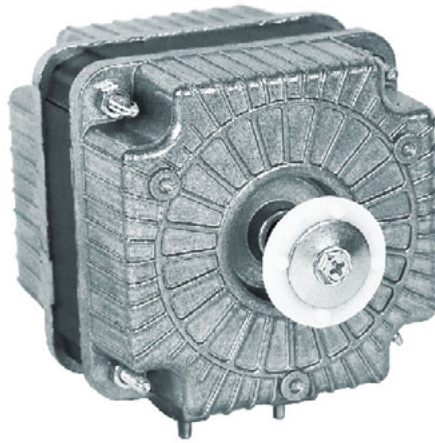
B、支架安装 With Bracket



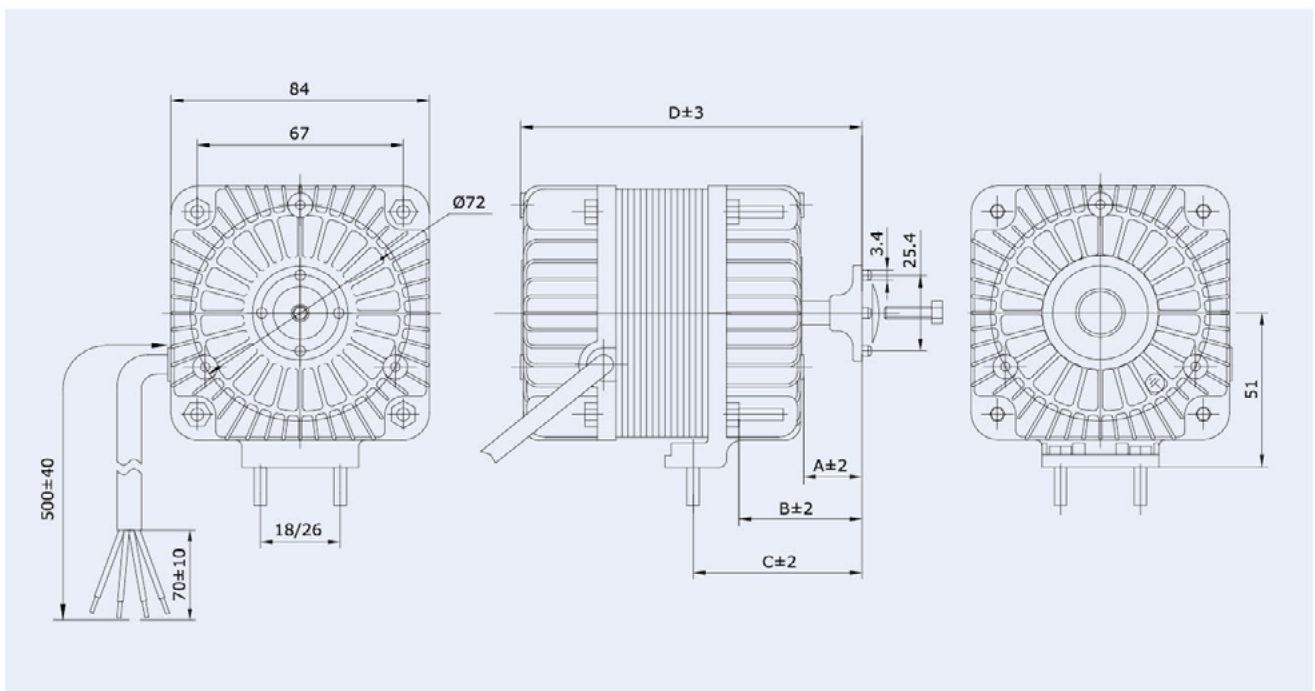
C、电机端盖孔安装 With 3 holes on endshield



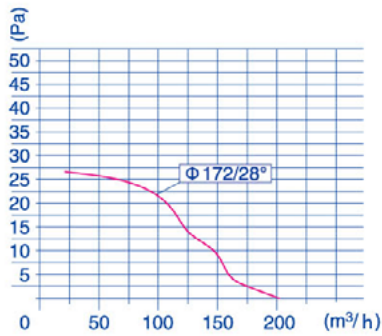
# YCF 电容电机 Capacitance Motors



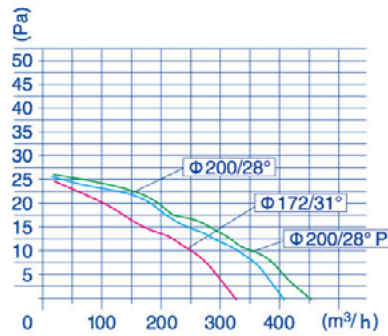
TYPE 型号	VOLTAGE 额定电压 V	FREQUENCY 频率 Hz	RATED INPUT 额定功率 W	OUT PUT 输出功率 W	RATED CURRENT 额定电流 A	RATED SPEED 额定转速 r/min	AIR VOLUME 额定风量 m <sup>3</sup> /h	CAPACITANCE 电容型号 μF	FAN BLADE 风叶型号 mm	NET WEIGHT 净重 kg	A mm	B mm	C mm	D mm
YCF10-13-4	230	50	40	10	0.20	1300	650	1	Φ230/25°	0.8	12	33	43	78
YCF20-20-2	230	50	55	20	0.25	2500	800	2	Φ200/28°	1.2	17	38	52.5	99
YCF20-20-4	230	50	50	20	0.25	1300	860	1.5	Φ254/31°	1.2	17	38	52.5	99
YCF40-25-2	230	50	115	40	0.45	2500	1140	3	Φ254/19°	1.4	17	38	52.5	104
YCF30-30-2	230	50	140	30	0.60	2500	1400	3	Φ254/28°	1.6	17	38	52.5	109
YCF30-30-4	230	50	75	30	0.35	1300	1280	2	Φ300/28°	1.6	17	38	52.5	109
YCF80-50-2	230	50	200	80	0.95	2500	1930	8	Φ300/19°	2.5	28	49	63.5	140
YCF60-50-4	230	50	120	60	0.55	1300	1970	3	Φ300/34°	2.5	28	49	63.5	140



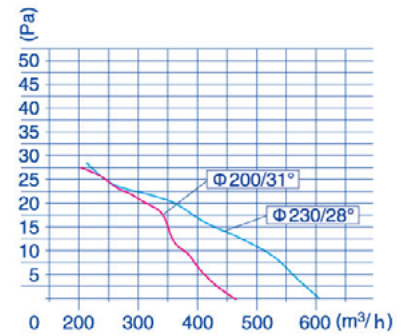
# YZF 风量曲线 Air Flow



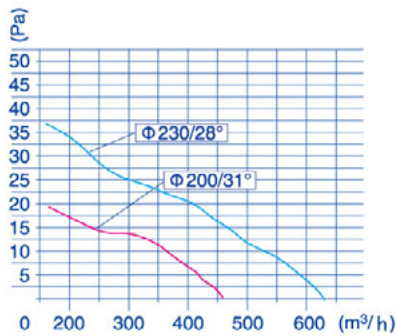
YZF2-13 50Hz Air Flow空气量



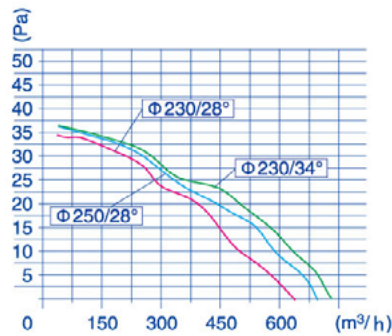
YZF5-13 50Hz Air Flow 空气量



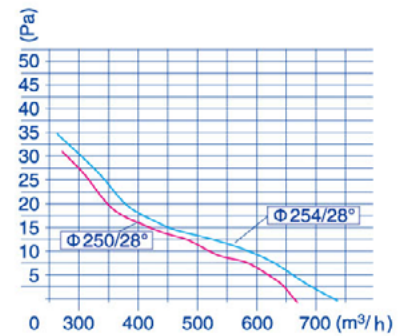
YZF7-20 50Hz Air Flow空气量



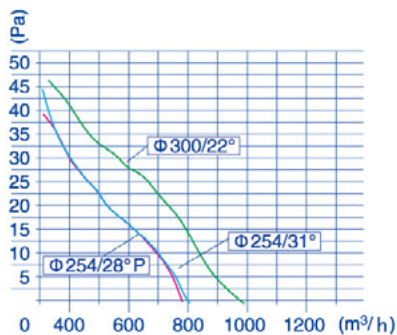
YZF10-20 50Hz Air Flow空气量



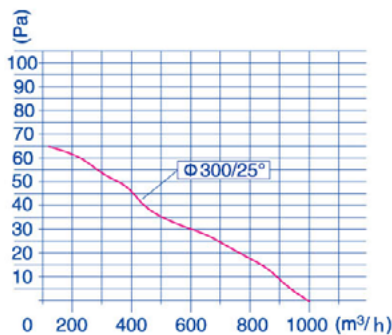
YZF12-20 50Hz Air Flow空气量



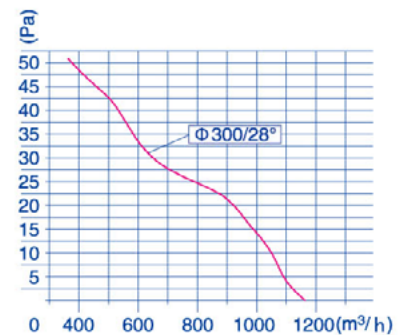
YZF16-25 50Hz Air Flow 空气量



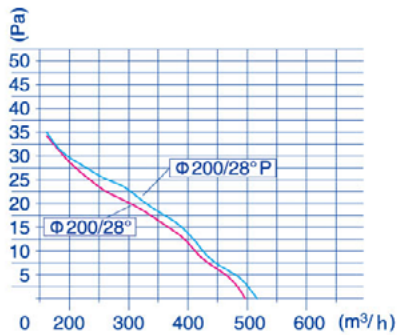
YZF18-30 50Hz Air Flow空气量



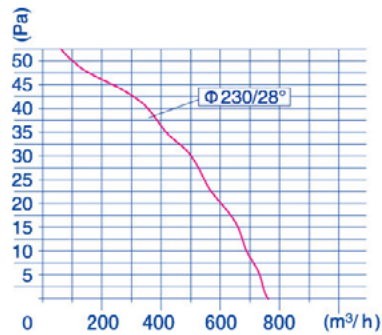
YZF25-40 50Hz Air Flow空气量



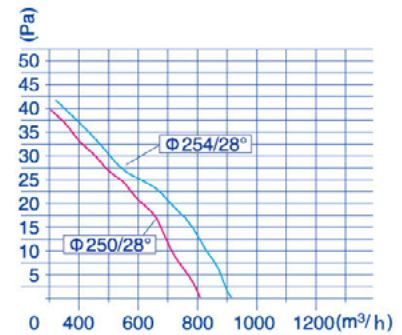
YZF34-45 50Hz Air Flow空气量



YZF6-13 60Hz Air Flow空气量

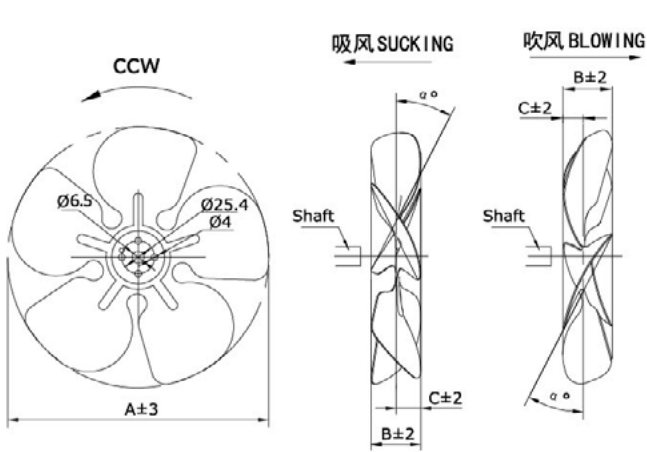


YZF10-20 60Hz Air Flow 空气量



YZF18-25 60Hz Air Flow 空气量

# FAN BLADE 叶片 Shaded Pole motors' Accessories

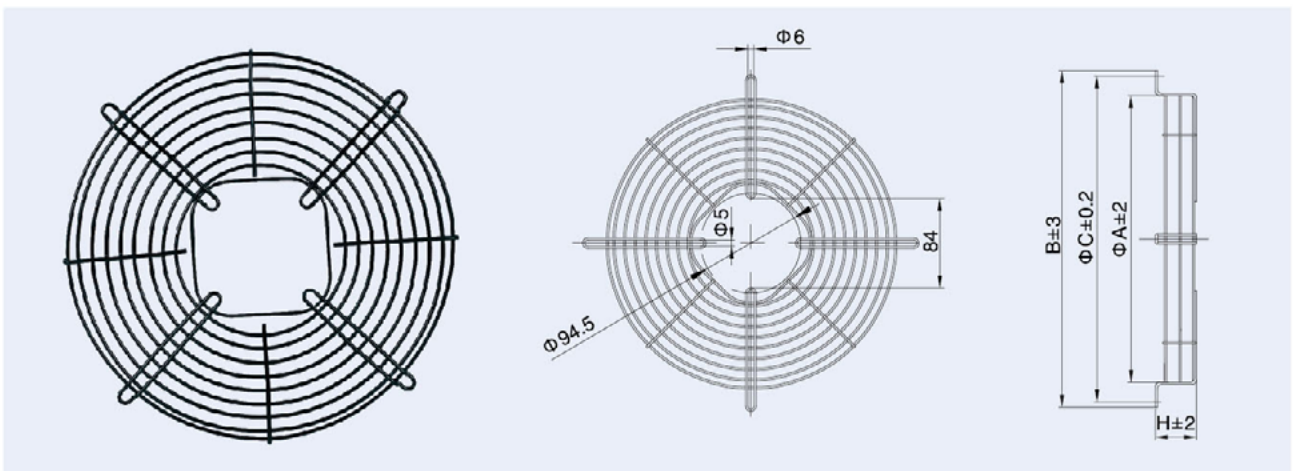


FAN TYPE	α		19°		22°		25°		28°		31°		34°	
	A	B/C	B	C	B	C	B	C	B	C	B	C	B	C
Φ154	154	23/12	26	13	29	15	32	17	36	18	39	21		
Φ172	172	25/13	28	14	31	16	34	17	38	18	41	21		
Φ200	200	27/14	30	15	33	17	36	19	40	20	43	22		
Φ230	230	30/15	33	16	36	19	39	21	42	21	45	23		
Φ250	248	31/15	34	16	37	19	40	20	43	21	45	22		
Φ254	254	32/15	35	16	38	19	41	21	44	22	47	23		
Φ300	300	32/16	35	17	41	21	44	22	48	25	52	27		



TYPE	YZF2-13		YZF5-13		YZF7-20		YZF10-20		YZF12-20		YZF16-25		YZF18-30		YZF25-40		YZF34-45		
	50Hz	60Hz	50Hz	60Hz	50Hz	60Hz	50Hz	60Hz	50Hz	60Hz	50Hz	60Hz	50Hz	60Hz	50Hz	60Hz	50Hz	60Hz	
Φ154	28	28																	
Φ172	28	28	31	31															
Φ200			28	28	31	31	31	31											
Φ230					28	28	28	28	34	31									
Φ250							22	22	28	28	28	28							
Φ254											28	25	31	28					
Φ300													22	22	25	22	28	25	

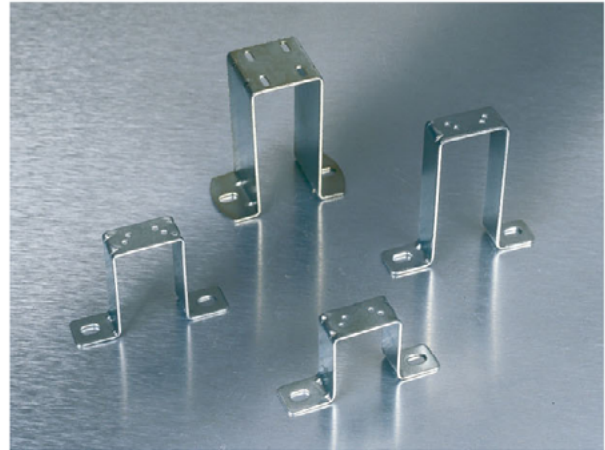
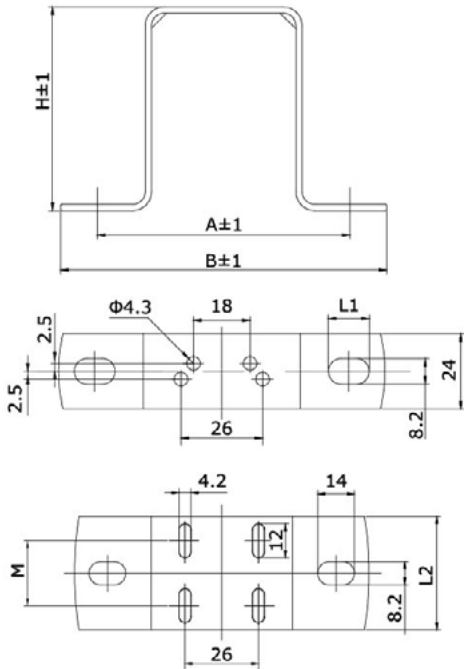
# GRID 网罩 Shaded Pole motors' Accessories



TYPE	Φ154	Φ172	Φ200	Φ230	Φ254	Φ300
A	170	188	214	246	270	324
B	202	220	248	278	302	356
C	190	208	236	266	290	344
H	11	11	25	27	17	17

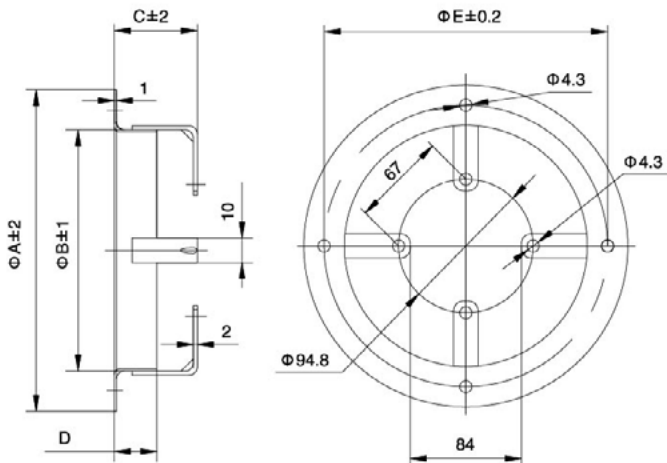


# BRACKET 支架



TYPE	H	A	B	L1	L2	M
H39	39	78	100	14	-	-
H55	55	81	106	13	-	-
H72	72	81	106	13	-	-
H84	84	81	106	20	-	-
H92	92	81	106	14	-	-
H109-1	109	81	106	14	-	-
H109-2	109	78	100	14	39	21
H109-3	109	78	100	14	49	29

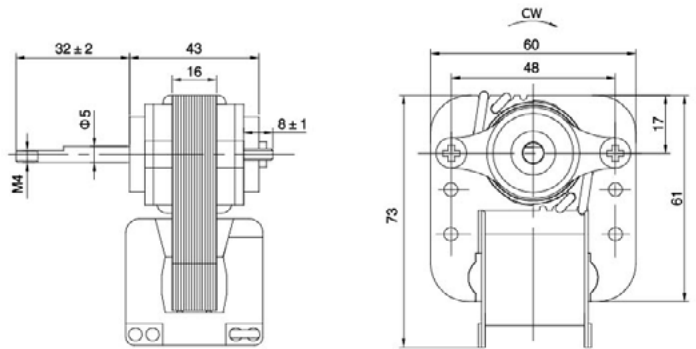
# RING 法兰



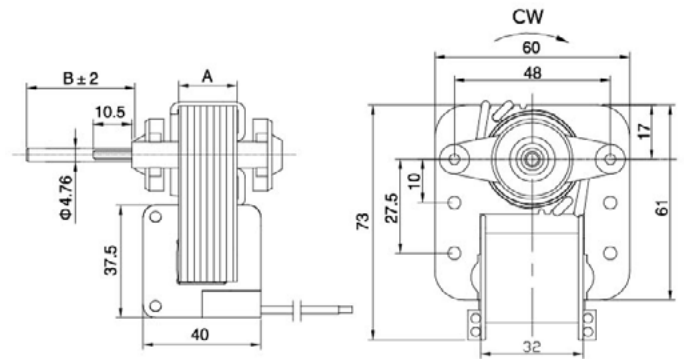
## SUCKING

TYPE	$\Phi A$	$\Phi B$	C	D	$\Phi E$
$\Phi 154$	200	162	49	25	190
$\Phi 172$	223	180	49	25	208
$\Phi 200$	246	208	49	25	236
$\Phi 230$	278	238	49	25	266
$\Phi 254$	300	268	49	25	290
$\Phi 300$	378	308	49	30	365

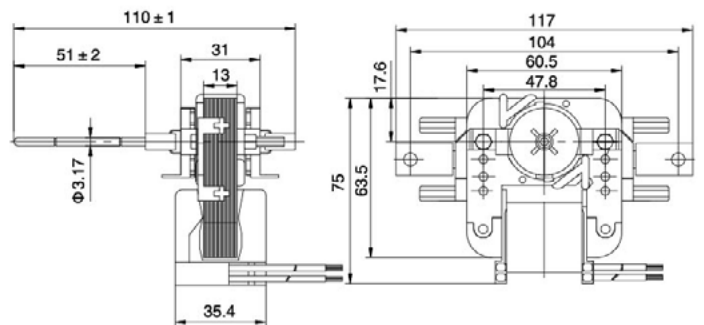
# YZF C Frame Motors



TYPE	VOLTAGE	FREQUENCY	CURRENT	INPUT	SPEED	ROTATION	SHAFT	
	(V)	(Hz)	(A)	(W)	(r/min)	(r/min)	LENGTH	DIAMETER
YZF024	220-240	50/60	0.21	24	2300	CW	32 ± 2	φ 5

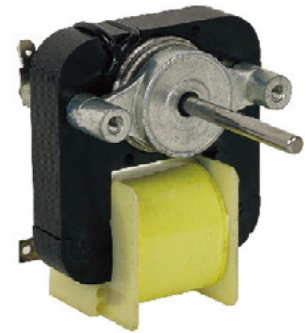
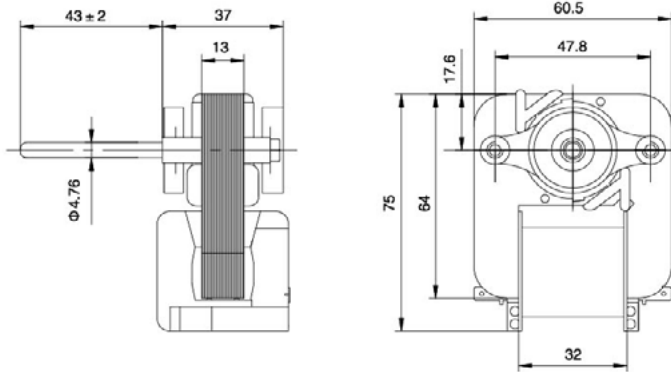



TYPE	VOLTAGE V	FREQUENCY Hz	CURRENT A	INPUT W	SPEED r/min	ROTATION	SHAFT		A	LICENSE
							LENGTH(B)	DIAMETER		
YZF670	120	60	0.48	23	2500	CW/CCW	40 ± 2	φ 4.76	16	
YZF672	240	50	0.30	23	2500	CW/CCW	40 ± 2	φ 4.76	16	
YZF673	120	60	0.53/0.32	27/19	2900/2600	CW/CCW	40 ± 2	φ 4.76	16	
YZF675	120/240	50/60	0.50/0.35	32/35	3200/2800	CW/CCW	54 ± 2	φ 4.76	26	

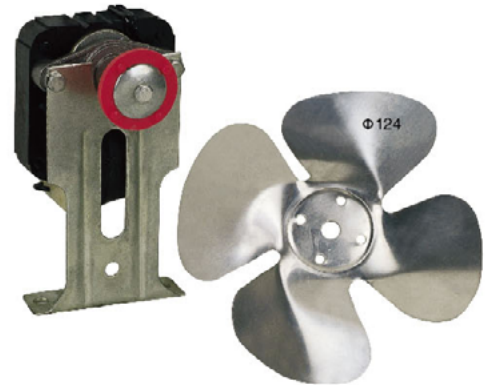
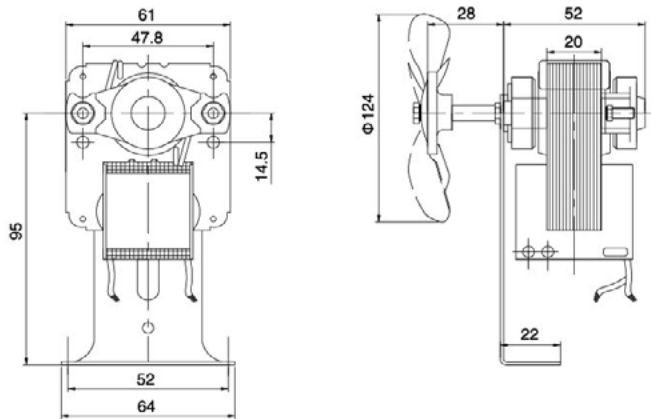


TYPE	VOLTAGE V	FREQUENCY Hz	CURRENT A	INPUT W	SPEED r/min	ROTATION	SHAFT		LICENSE
							LENGTH	DIAMETER	
YZF999	120	60	0.45	16	3000	CW/CCW	51 ± 2	φ 3.17	
YZF998	240	50	0.20	18	2600	CW/CCW	51 ± 2	φ 3.17	

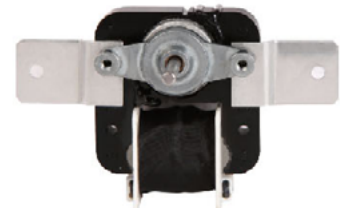
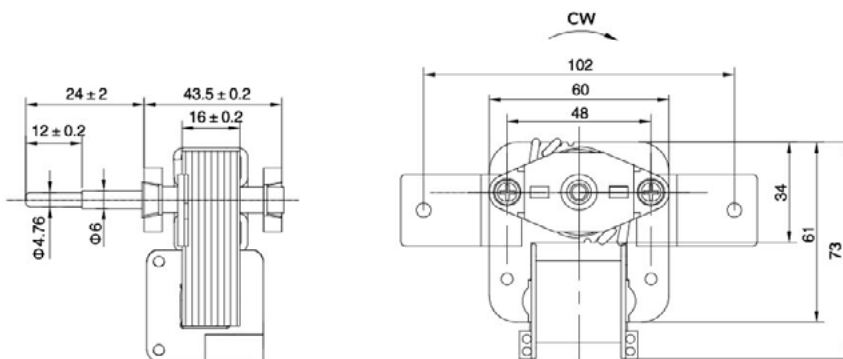
# YZF C Frame Motors



TYPE	VOLTAGE V	FREQUENCY Hz	CURRENT A	INPUT W	SPEED r/min	ROTATION	SHAFT		LICENSE
							LENGTH	DIAMETER	
YZF334/YZF335	120	60	0.45	15	3000	CW/CCW	43 ± 2	φ4.76	



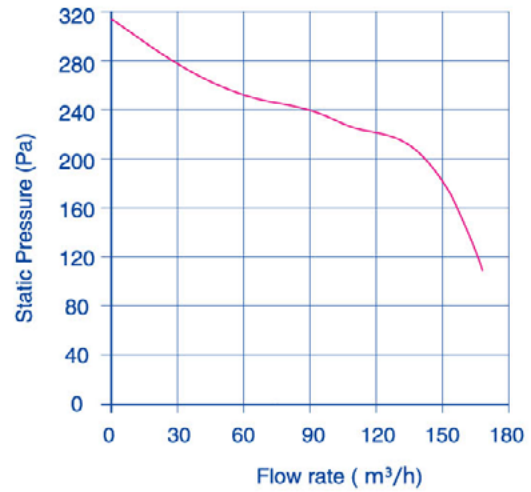
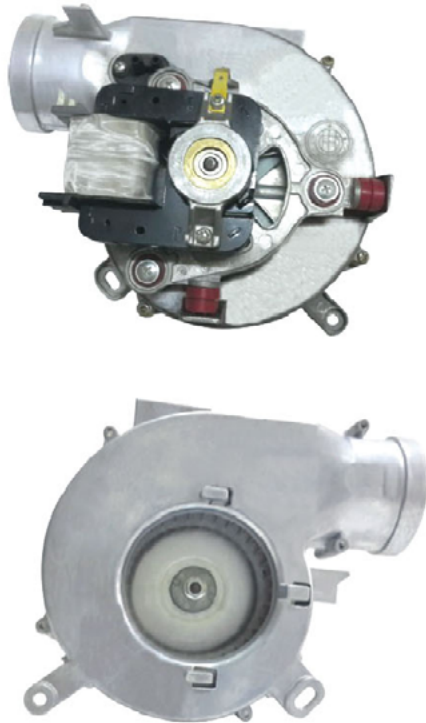
TYPE	VOLTAGE V	FREQUENCY Hz	CURRENT A	INPUT W	SPEED r/min	ROTATION	SHAFT	
							LENGTH	DIAMETER
YZF3213	127	60	0.28	17	2800	CCW	28 ± 2	φ6
YZF3206	220	50/60	0.23	25	2600	CCW	28 ± 2	φ6



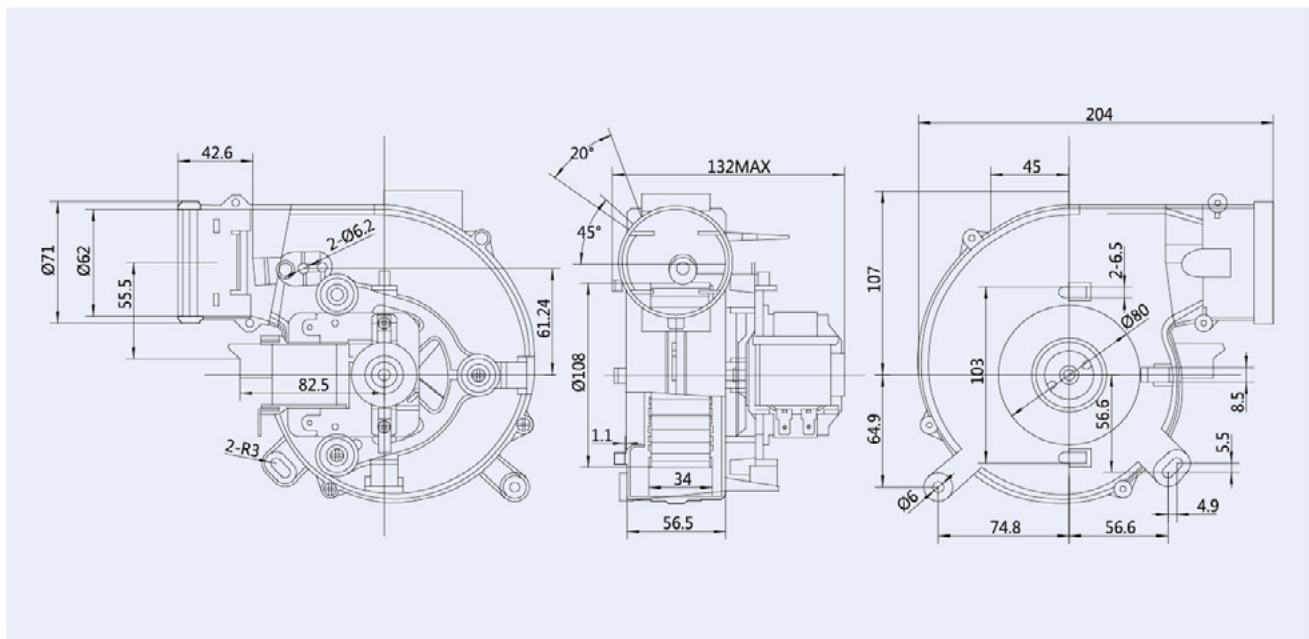
TYPE	VOLTAGE (V)	FREQUENCY (Hz)	CURRENT (A)	INPUT (W)	SPEED (r/min)	ROTATION	SHAFT		FAN BLADE
							LENGTH	DIAMETER	
D22120	127	60	0.14	9	3100	CW/CCW	24 ± 2	φ4.76	φ102
D22121	220	60	0.10	11	3100	CW/CCW	24 ± 2	φ4.76	φ102



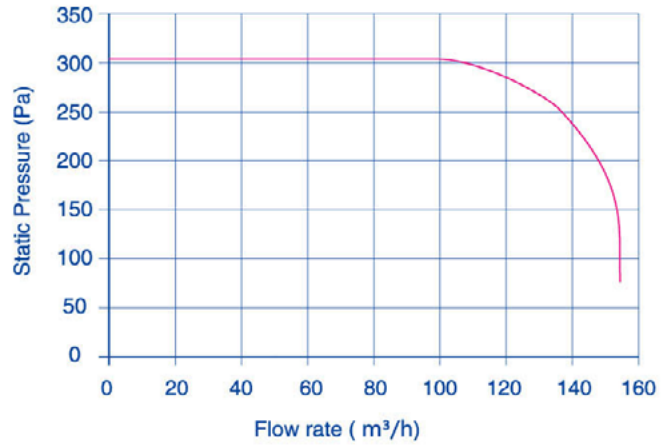
# YZF-108-1 罩极风机 Shaded Pole Fan



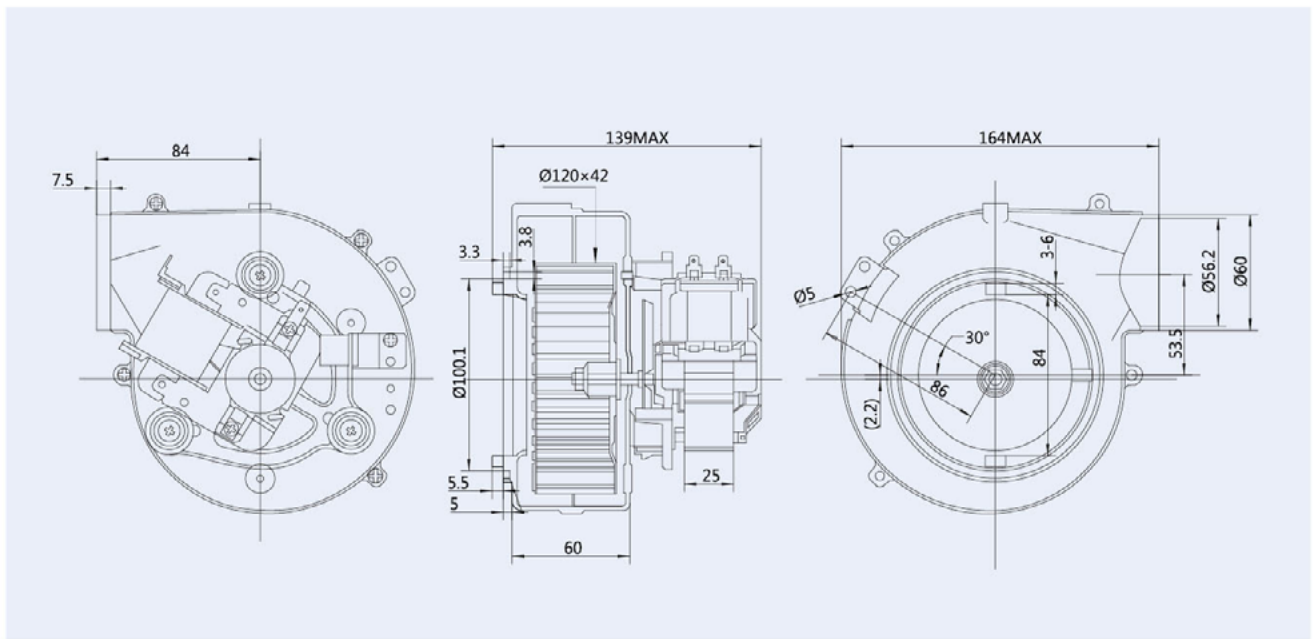
TYPE 型号	VOLTAGE 额定电压 V	RATED VOLTAGE 额定电压 Hz	RATED INPUT 额定功率 W	RATED CURRENT 额定电流 A	RATED SPEED 额定转速 r/min	FLOW RATE(MAX) 最大风量 m³/h	STATIC PRESSURE 最大静压 Pa	INSULATION CLASS 绝缘等级
YZF072-108-1	220	50	65	0.6	2550	170	320	H



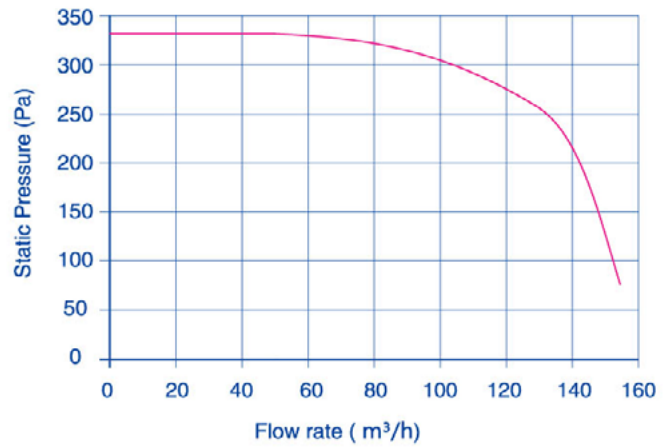
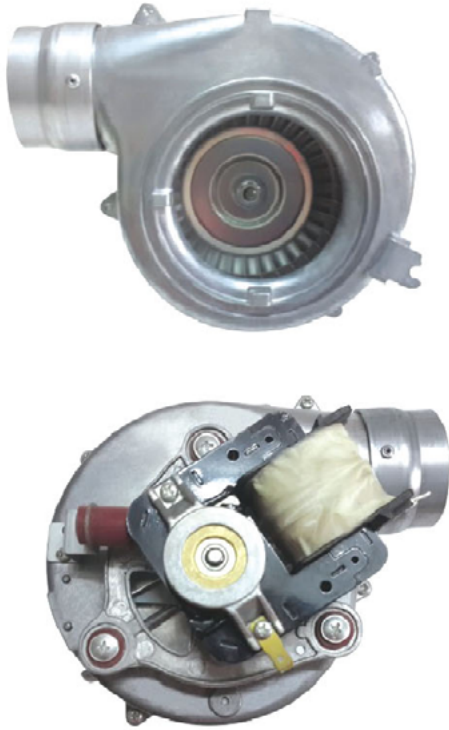
# YZF-108-2 罩极风机 Shaded Pole Fan



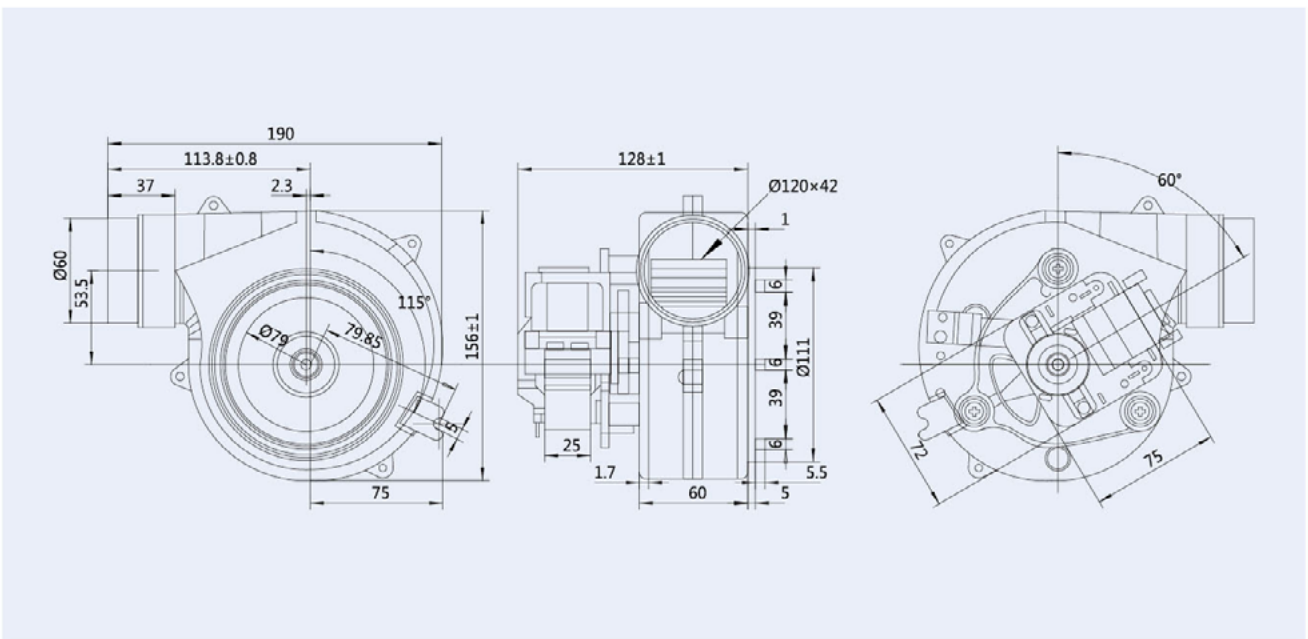
TYPE 型号	VOLTAGE 额定电压 V	RATED VOLTAGE 额定电压 Hz	RATED INPUT 额定功率 W	RATED CURRENT 额定电流 A	RATED SPEED 额定转速 r/min	FLOW RATE(MAX) 最大风量 m³/h	STATIC PRESSURE 最大静压 Pa	INSULATION CLASS 绝缘等级
YZF072-108-2	230	50	65	0.70	2650	150	280	H



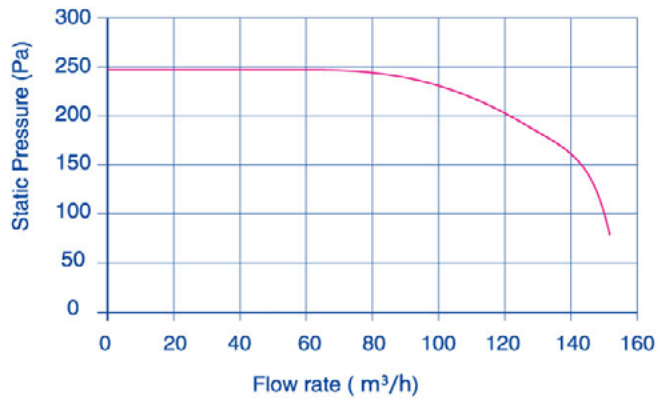
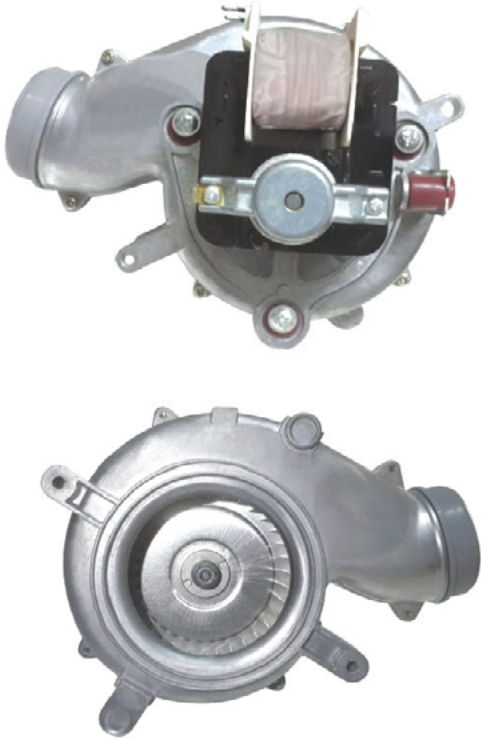
# YZF-108-3 罩极风机 Shaded Pole Fan



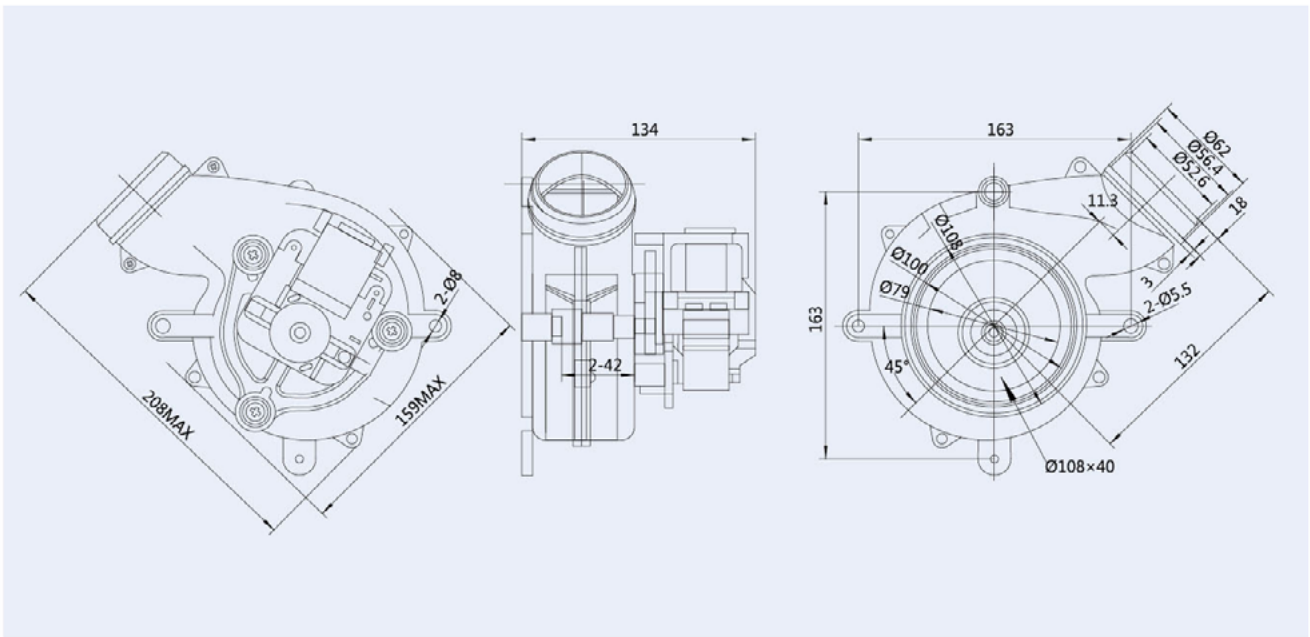
TYPE 型号	VOLTAGE 额定电压	RATED VOLTAGE 额定电压	RATED INPUT 额定功率	RATED CURRENT 额定电流	RATED SPEED 额定转速	FLOW RATE(MAX) 最大风量	STATIC PRESSURE 最大静压	INSULATION CLASS 绝缘等级
	V	V	W	A	r/min	m³/h	Pa	H
YZF072-108-3	230	50	65	0.6	2600	150	300	H



# YZF-108-4 罩极风机 Shaded Pole Fan

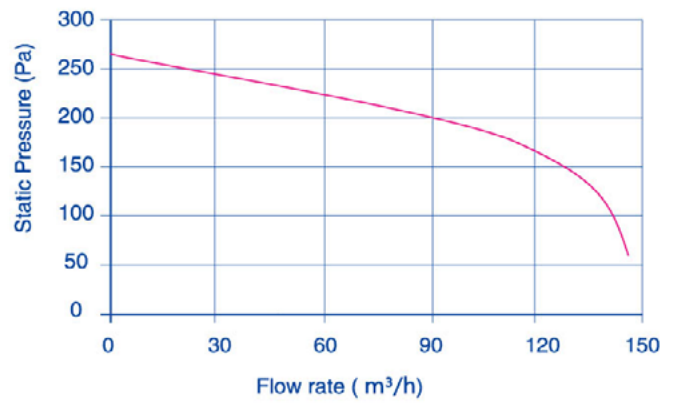


TYPE 型号	VOLTAGE 额定电压 V	RATED VOLTAGE 额定电压 Hz	RATED INPUT 额定功率 W	RATED CURRENT 额定电流 A	RATED SPEED 额定转速 r/min	FLOW RATE(MAX) 最大风量 m³/h	STATIC PRESSURE 最大静压 Pa	INSULATION CLASS 绝缘等级
YZF072-108-4	230	50	53	0.56	2500	150	250	H

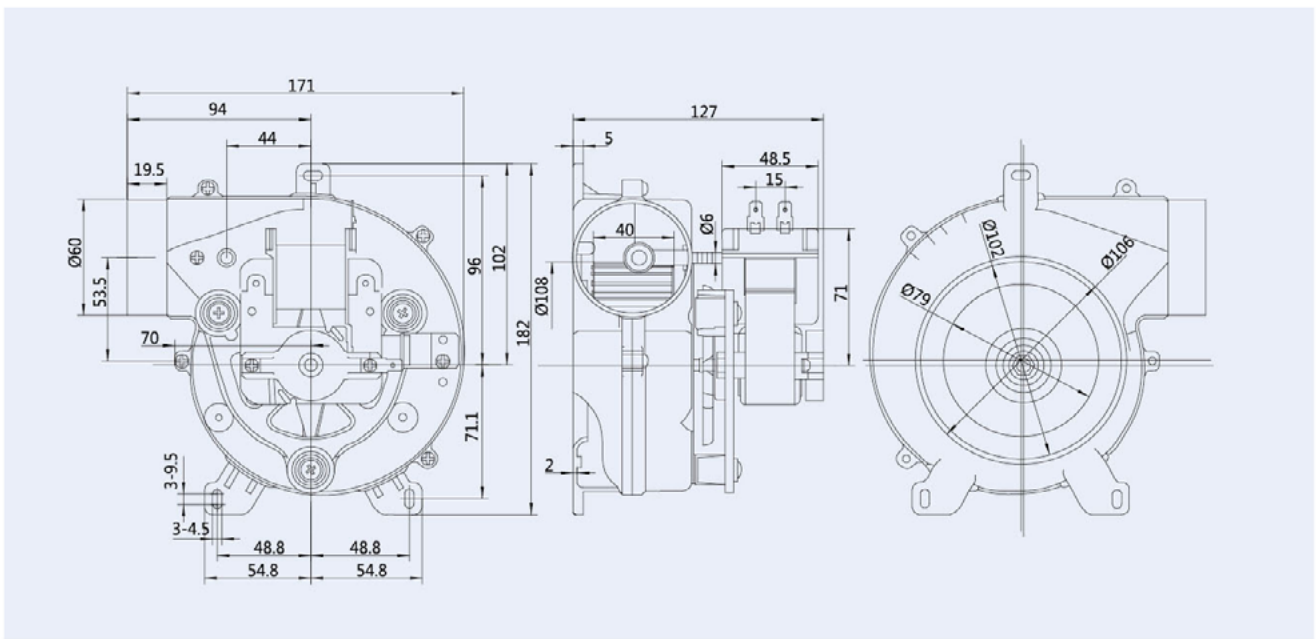




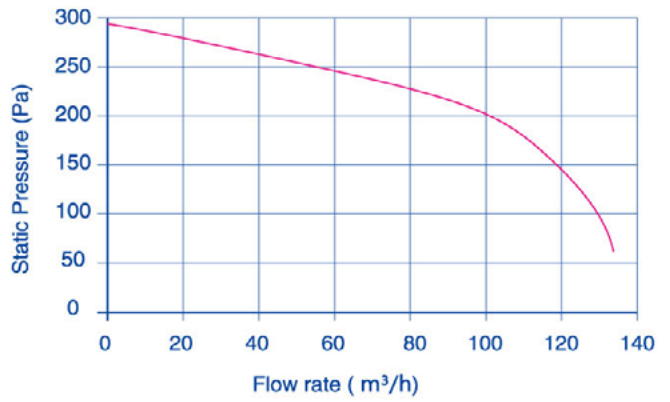
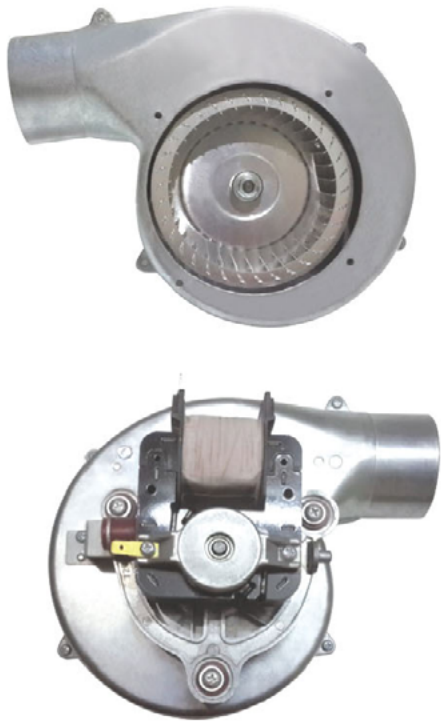
# YZF-108-5 罩极风机 Shaded Pole Fan



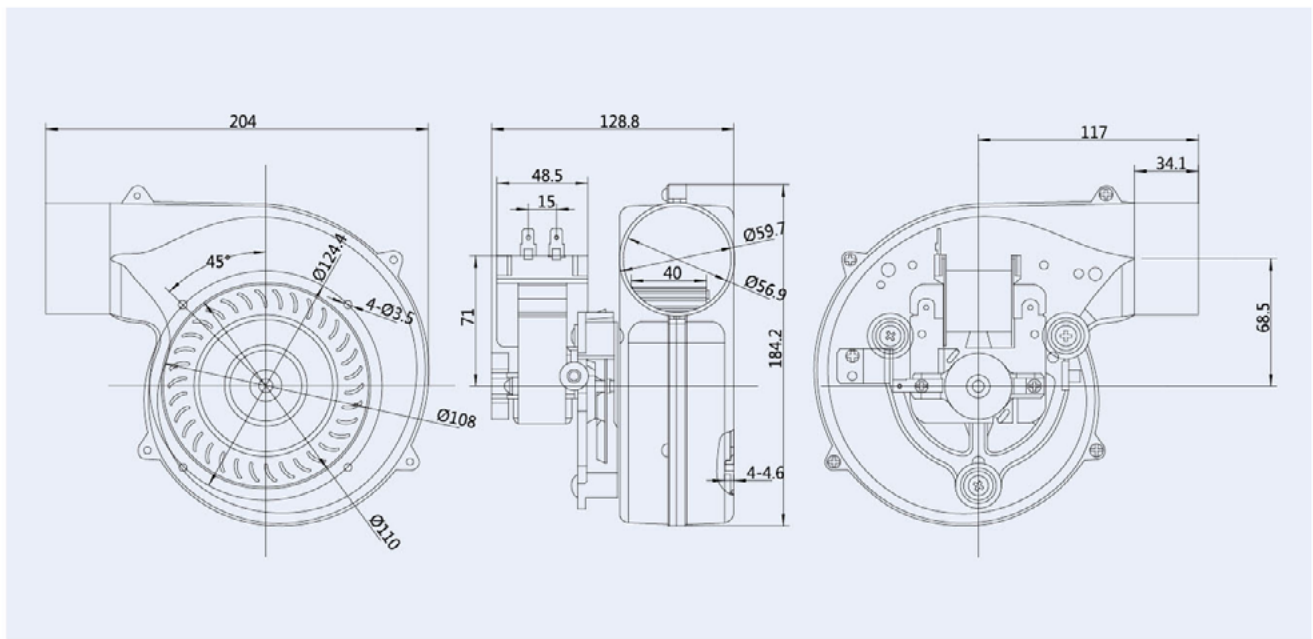
TYPE 型号	VOLTAGE 额定电压 V	RATED VOLTAGE 额定电压 Hz	RATED INPUT 额定功率 W	RATED CURRENT 额定电流 A	RATED SPEED 额定转速 r/min	FLOW RATE(MAX) 最大风量 m <sup>3</sup> /h	STATIC PRESSURE 最大静压 Pa	INSULATION CLASS 绝缘等级
YZF072-108-5	220	50	53	0.55	2300	140	260	H



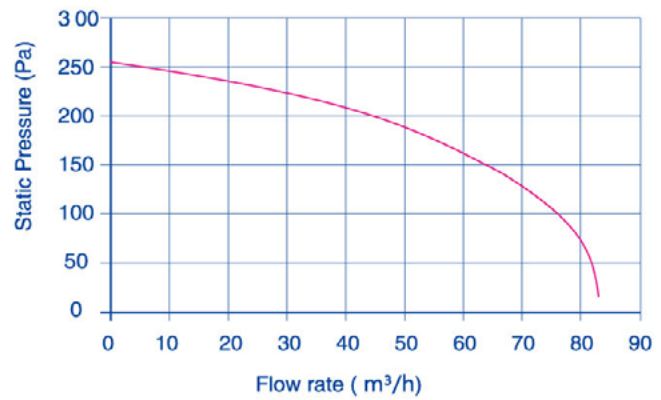
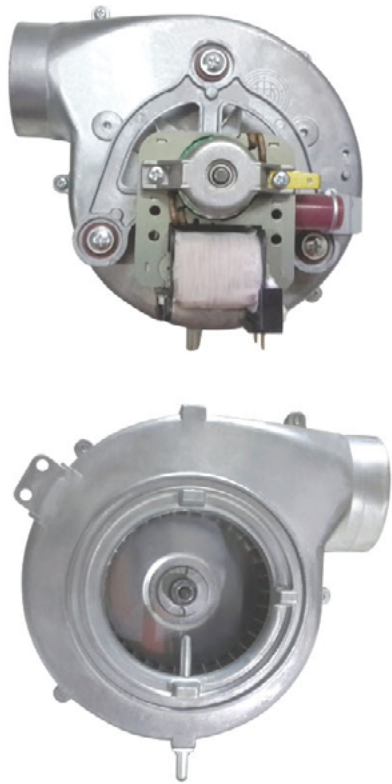
# YZF-108-6 罩极风机 Shaded Pole Fan



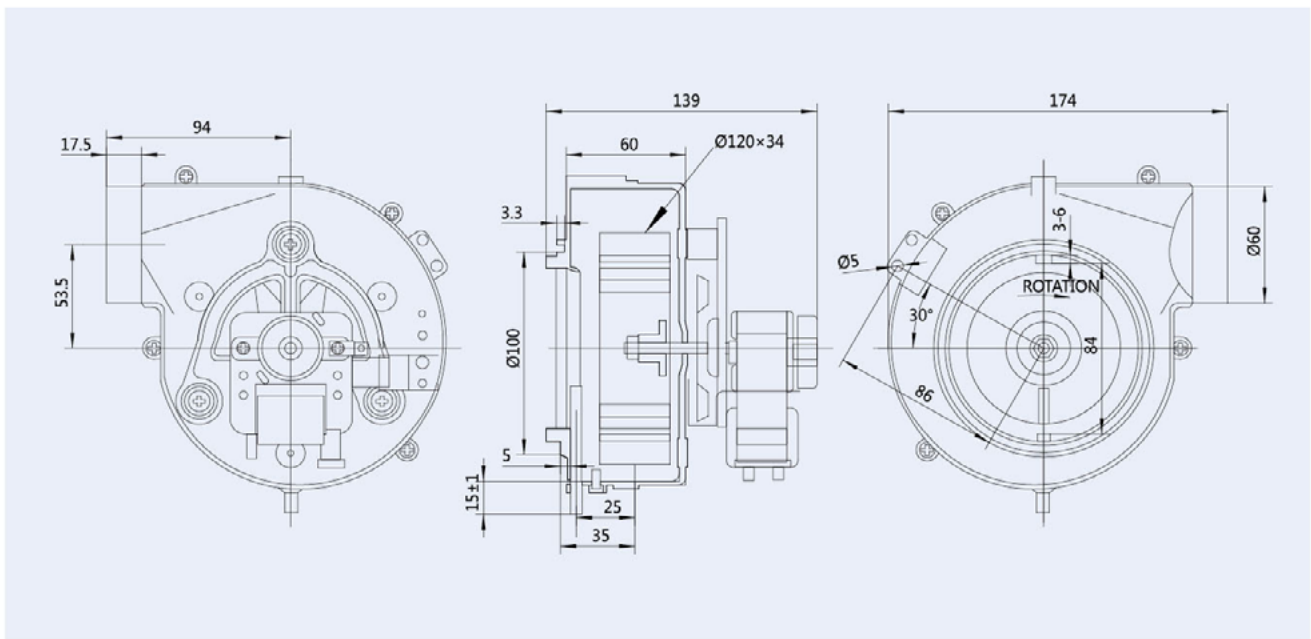
TYPE 型号	VOLTAGE 额定电压 V	RATED VOLTAGE 额定电压 Hz	RATED INPUT 额定功率 W	RATED CURRENT 额定电流 A	RATED SPEED 额定转速 r/min	FLOW RATE(MAX) 最大风量 m³/h	STATIC PRESSURE 最大静压 Pa	INSULATION CLASS 绝缘等级
YZF072-108-6	220	50	53	0.50	1850	130	280	H



# YZF-120-1 罩极风机 Shaded Pole Fan



TYPE 型号	VOLTAGE 额定电压 V	RATED VOLTAGE 额定电压 Hz	RATED INPUT 额定功率 W	RATED CURRENT 额定电流 A	RATED SPEED 额定转速 r/min	FLOW RATE (MAX) 最大风量 m³/h	STATIC PRESSURE 最大静压 Pa	INSULATION CLASS 绝缘等级
YZF072-120-1	230	50	32	0.30	2250	85	250	H





# YGF Series Cross Flow Fans

## YGF 系列产品概述 Summary of YGF Series Cross Flow Fans

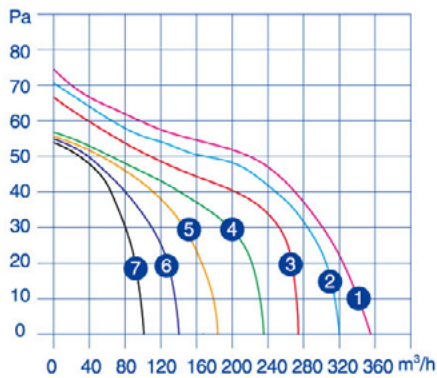
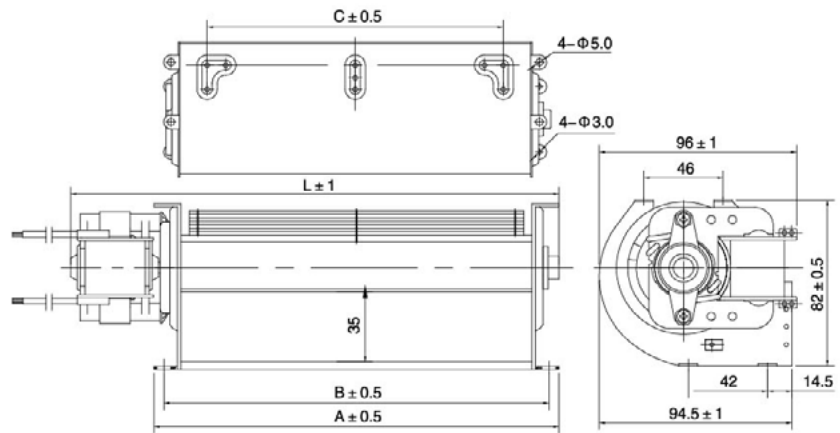
- 风机的最大特点是流体两次流经风机叶轮，流体沿径向流入后再沿径向流出，进气和排气方向处于同一平面，所排气体沿风机宽度方向分布均匀。由于其结构简单、体积小、动压系数较高而达到的距离较长,广泛用于空调、风幕设备、干燥机、电吹风、家电设备上。
- 电机使用的所有原材料均通过RoHS认证。
- 电机的绝缘等级为B级，可根据客户要求生产绝缘等级为F、H级电机。
- 一般电机适用环境温度为-30℃~50℃。
- 电机平均使用寿命为20000小时以上。
- 电机使用前，必须将电机接地线与外部接地装置有效连接。
- The most outstanding characteristic for YGF series fan motor is that the fluid go through the fan wheel twice. Fluid come in and come out through radial direction. The inlet and outlet airflow are at same plane, and the outlet airflow are uniformly distributed horizontally as fan wheel. The YGF series motor widely use in Air-conditioning, Air curtain, Drying machine and household Appliance because of the compact structure, long-range air flow by high dynamic pressure coefficient.
- All material conform to RoHS.
- Insulation class of motor is Class B. According to different requirements, motor with Class F and Class H can be produced.
- The applicable ambient temperature is -30℃ ~ 50℃.
- The average working life of motor is over 20000 hours.
- Make sure the earth wire of the motor connected with the external grounding device before operating.

### 型号说明 Illustration of model

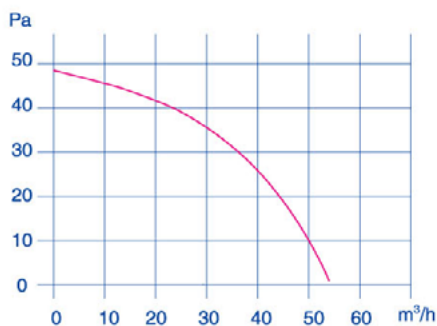
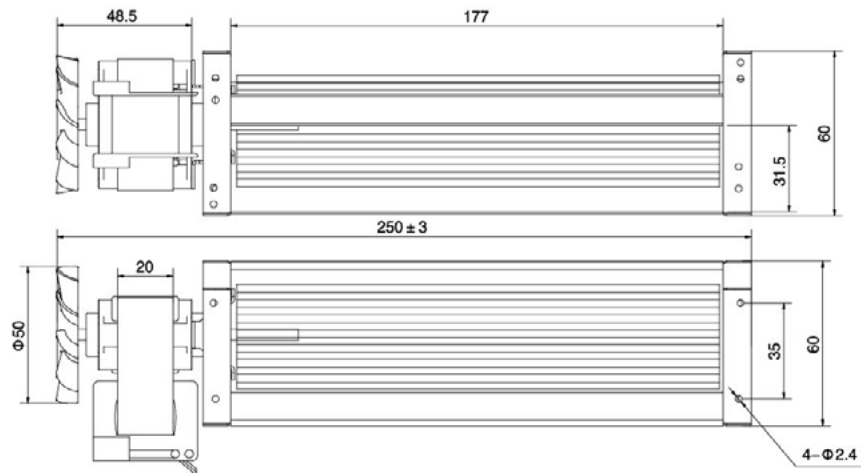
YGF 60 - 183



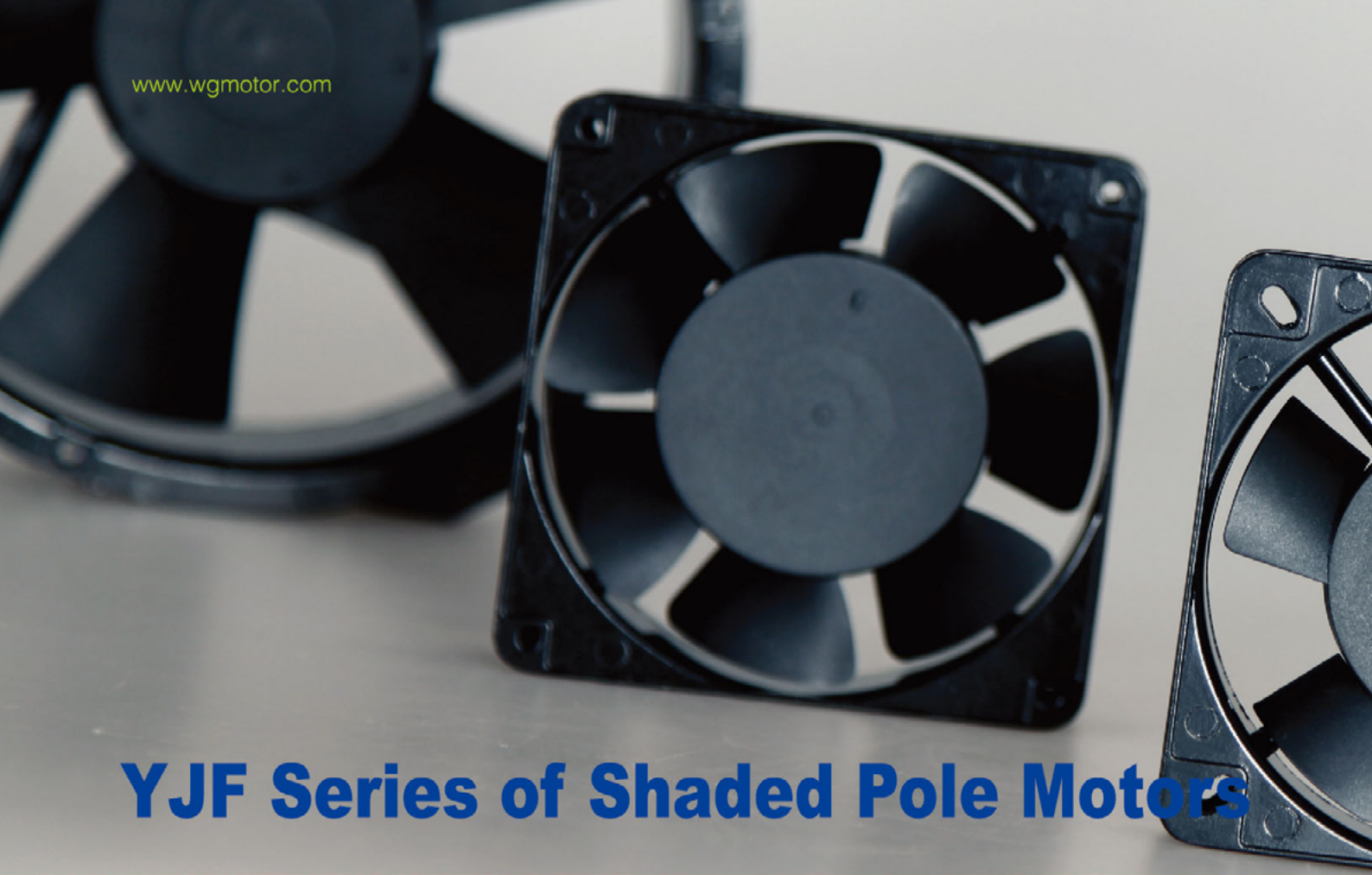
# YGF 贯流风机 Cross Flow Motors



TYPE 型号	VOLTAGE 额定电压 V	FREQUENCY 频率 Hz	CURRENT 额定电流 A	INPUT 输入功率 W	SPEED 转速 r/min	AIR VOLUME 额定风量 m³/h	A	B	C	L	NO. ON THE CURVE
YGF60.480	220	50	0.42	48	2200	354	505	495	450.5	576	①
YGF60.420	220	50	0.40	45	2300	310	445	435	390.5	516	②
YGF60.360	220	50	0.38	43	2400	270	385	375	330.5	456	③
YGF60.300	220	50	0.27	29	2150	230	325	315	270.5	382	④
YGF60.240	220	50	0.25	27	2300	175	265	255	210.5	322	⑤
YGF60.183	220	50	0.20	20	2100	140	206	196	153.5	253	⑥
YGF60.120	220	50	0.19	18	2300	92	145	135	90.5	192	⑦



TYPE 叶轮型号	MODEL 电机型号	VOLTAGE 额定电压 V	FREQUENCY 额定频率 Hz	RATED INPUT 额定功率 W	RATED CURRENT 额定电流 A	RATED SPEED 额定转速 r/min	NET WEIGHT 净重 kg	LICENSE 认证
YGF48-180	YZF5505	220-240	50	7.2	0.06	2000	0.3	CCC

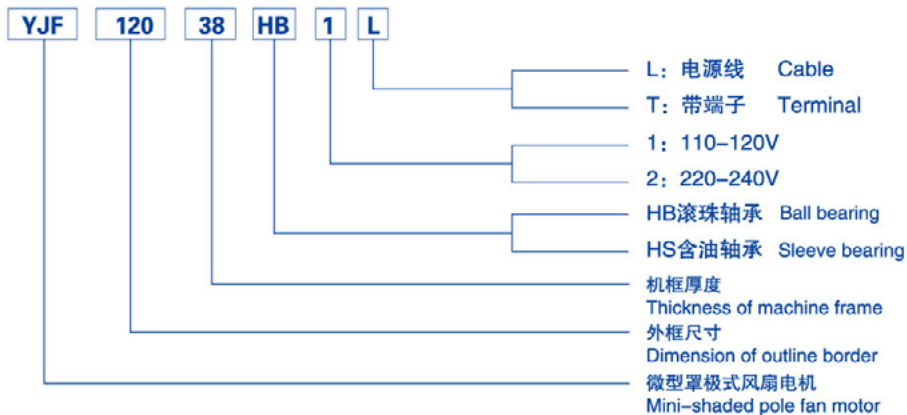


# YJF Series of Shaded Pole Motors

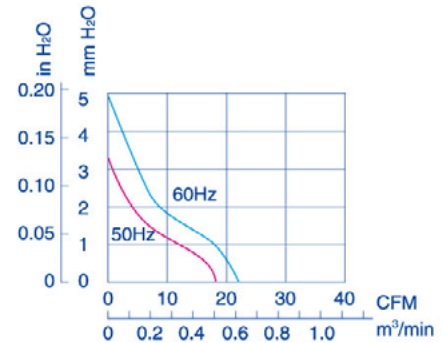
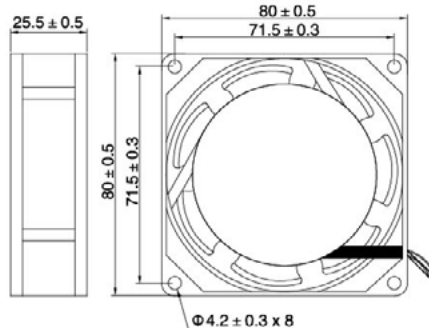
## YJF 系列产品概述 Summary of YJF Series Shaded Pole Motors

- YJF系列微型罩极式风扇电机，具有结构紧凑、体积小、重量轻、噪音低、电磁干扰小、安全可靠、运行寿命长等特点。广泛运用于制冷设备、电子、焊接、电源、仪器仪表和通讯网络等设备的通风散热。
- 电机使用的所有原材料均通过RoHS认证。
- 电机适用环境温度：滚珠轴承：-20℃~60℃  
含油轴承：0℃~50℃
- 电机平均使用寿命为20000小时以上。
- 大部分电机通过CCC、CE、UL认证。
- 电机使用前，必须将电机接地线与外部接地装置有效连接。
- YJF series mini-shaded pole fan motors have characteristics of compact structure, light weight, convenient installation, low noise, small disturbance, safety, longevity and so on. It mainly applied to refrigeration equipment, power supply circuit, electric welding machine as well as other ventilating and cooling equipment.
- All material conform to RoHS.
- The applicable ambient temperature:  
Ball bearing: -20℃~60℃  
Sleeve bearing: 0℃~50℃
- The average working life of motors is over 20000 hours.
- Most of motors get CCC, CE and UL.
- Make sure the earth wire of the motor connected with the external grounding device before operating.

## 型号说明 Illustration of Model

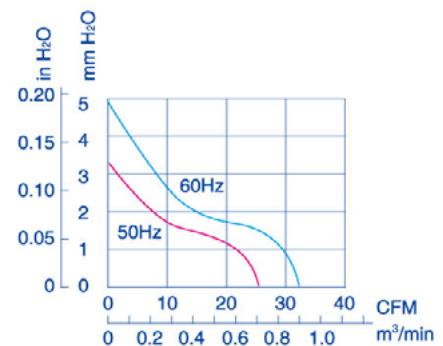
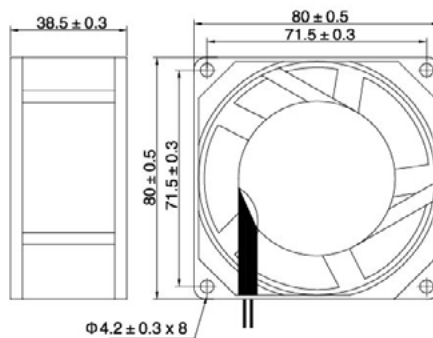


# YJF-8025 罩极电机 Shaded Pole Motors



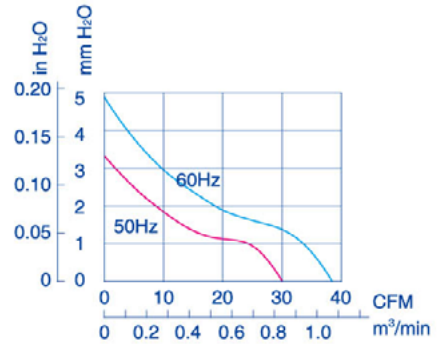
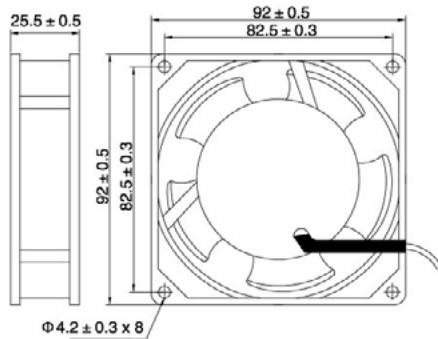
TYPE 型号	BEARING 轴承	LEAD WIRE 引出线	VOLTAGE 额定电压 V	FREQUENCY 额定频率 Hz	RATED INPUT 额定功率 W	RATED CURRENT 额定电流 A	SPEED 额定转速 r/min	AIR VOLUME 额定风量		STATIC PRESSURE 静压 mmH <sub>2</sub> O	NOISE 噪音 dBA	NET WEIGHT 净重 kg	LICENSE 认证
								m <sup>3</sup> /min	CFM				
8025HB	BALL	CABLE	220~240	50/60	11/9	0.065/0.055	2500/2900	0.45/0.57	16/20	3.52/4.55	29/33	0.24	CE UL
8025HS	SLEEVE	CABLE	220~240	50/60	11/9	0.065/0.055	2300/2700	0.42/0.59	15/21	3.30/4.43	27/31	0.24	CE UL
8025HB	BALL	CABLE	110~120	50/60	12/11	0.12/0.10	2500/2900	0.45/0.57	16/20	3.52/4.55	29/33	0.24	CE UL
8025HS	SLEEVE	CABLE	110~120	50/60	12/11	0.12/0.10	2500/2900	0.45/0.57	16/20	3.52/4.55	29/33	0.24	CE UL

# YJF-8038 罩极电机 Shaded Pole Motors



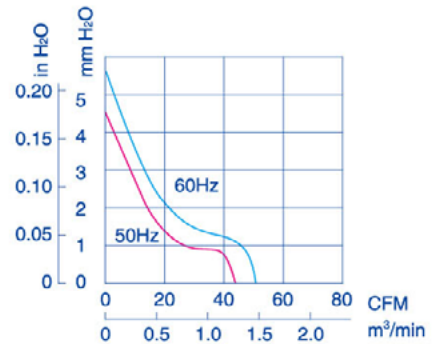
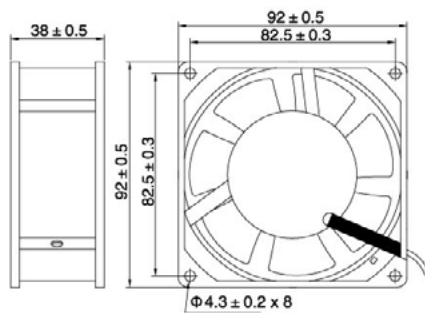
TYPE 型号	BEARING 轴承	LEAD WIRE 引出线	VOLTAGE 额定电压 V	FREQUENCY 额定频率 Hz	RATED INPUT 额定功率 W	RATED CURRENT 额定电流 A	SPEED 额定转速 r/min	AIR VOLUME 额定风量		STATIC PRESSURE 静压 mmH <sub>2</sub> O	NOISE 噪音 dBA	NET WEIGHT 净重 kg	LICENSE 认证
								m <sup>3</sup> /min	CFM				
8038HB	BALL	CABLE/TERMINAL	220~240	50/60	13/10	0.10/0.08	2300/2700	0.59/0.71	21/25	2.92/4.32	30/34	0.3	CE UL
8038HS	SLEEVE	CABLE/TERMINAL	220~240	50/60	13/10	0.10/0.08	2300/2700	0.59/0.71	21/25	2.92/4.32	30/34	0.3	CE UL
8038HB	BALL	CABLE/TERMINAL	110~120	50/60	14/12	0.15/0.13	2400/2800	0.62/0.74	22/26	3.06/4.49	31/35	0.3	CE UL
8038HS	SLEEVE	CABLE/TERMINAL	110~120	50/60	14/12	0.15/0.13	2400/2800	0.62/0.74	22/26	3.06/4.49	31/35	0.3	CE UL

# YJF-9225 罩极电机 Shaded Pole Motors



TYPE 型号	BEARING 轴承	LEAD WIRE 引出线	VOLTAGE 额定电压 V	FREQUENCY 额定频率 Hz	RATED INPUT 额定功率 W	RATED CURRENT 额定电流 A	SPEED 额定转速 r/min	AIR VOLUME 额定风量		STATIC PRESSURE 静压 mmH <sub>2</sub> O	NOISE 噪音 dBA	NET WEIGHT 净重 kg	LICENSE 认证
								m <sup>3</sup> /min	CFM				
9225HB	BALL	CABLE/TERMINAL	220~240	50/60	11/9	0.065/0.055	2300/2600	0.68/0.82	24/29	3.50/4.50	30/34	0.28	CE UL
9225HS	SLEEVE	CABLE/TERMINAL	220~240	50/60	11/9	0.065/0.055	2300/2600	0.68/0.82	24/29	3.50/4.50	30/34	0.28	CE UL
9225HB	BALL	CABLE/TERMINAL	110~120	50/60	13/12	0.12/0.11	2500/2900	0.70/0.88	25/31	3.30/4.83	31/35	0.28	CE UL
9228HS	SLEEVE	CABLE/TERMINAL	110~120	50/60	13/12	0.12/0.11	2500/2900	0.70/0.88	25/31	3.30/4.83	31/35	0.28	CE UL

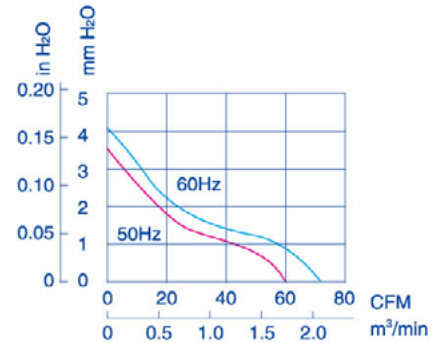
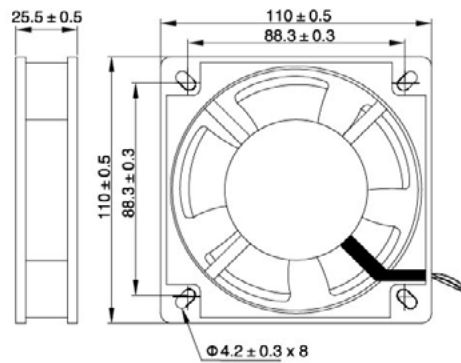
# YJF-9238 罩极电机 Shaded Pole Motors



TYPE 型号	BEARING 轴承	LEAD WIRE 引出线	VOLTAGE 额定电压 V	FREQUENCY 额定频率 Hz	RATED INPUT 额定功率 W	RATED CURRENT 额定电流 A	SPEED 额定转速 r/min	AIR VOLUME 额定风量		STATIC PRESSURE 静压 mmH <sub>2</sub> O	NOISE 噪音 dBA	NET WEIGHT 净重 kg	LICENSE 认证
								m <sup>3</sup> /min	CFM				
9238HB	BALL	CABLE	220~240	50/60	14/11	0.12/0.09	2300/2800	1.08/1.22	38/43	3.30/4.00	32/37	0.40	CE
9238HS	SLEEVE	CABLE	220~240	50/60	14/11	0.12/0.09	2200/2600	1.05/1.19	37/42	3.20/3.90	31/36	0.40	CE
9238HB	BALL	CABLE	110~120	50/60	18	0.22	2400	1.13	40	3.50	34	0.40	CE
9238HS	SLEEVE	CABLE	110~120	50/60	18	0.22	2400	1.13	40	3.50	34	0.40	CE

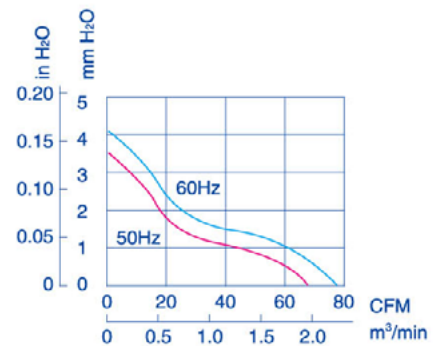
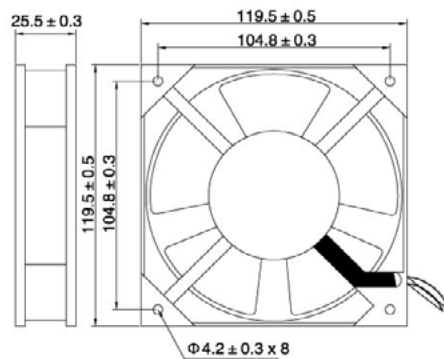


# YJF-11025 罩极电机 Shaded Pole Motors



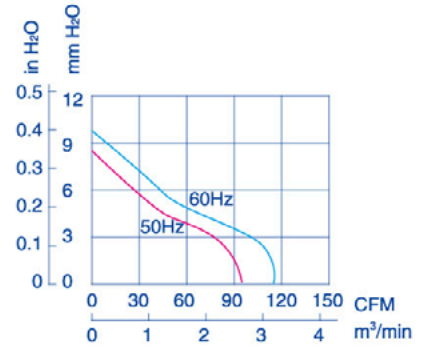
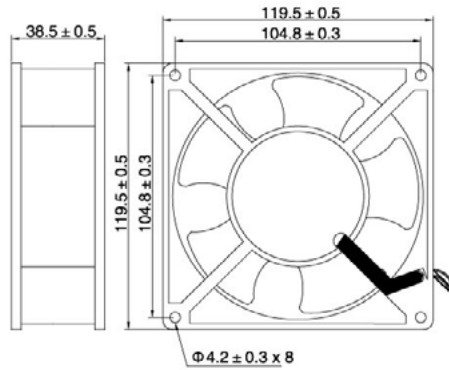
TYPE 型号	BEARING 轴承	LEAD WIRE 引出线	VOLTAGE 额定电压 V	FREQUENCY 额定频率 Hz	RATED INPUT 额定功率 W	RATED CURRENT 额定电流 A	SPEED 额定转速 r/min	AIR VOLUME 额定风量		STATIC PRESSURE 静压 mmH <sub>2</sub> O	NOISE 噪音 dBA	NET WEIGHT 净重 kg	LICENSE 认证
								m <sup>3</sup> /min	CFM				
11025HB	BALL	CABLE	220-240	50/60	12/10	0.065/0.055	1900	1.22	43	3.00/2.60	36	0.33	CE
11025HS	SLEEVE	CABLE	220-240	50/60	12/10	0.065/0.055	1700	1.16	41	3.10/2.90	34	0.33	CE
11025HB	BALL	CABLE	110-120	50/60	15/12	0.17/0.14	2100/2300	1.33/1.47	47/52	3.56/4.06	38/40	0.33	CE
11025HS	SLEEVE	CABLE	110-120	50/60	15/12	0.17/0.14	2100/2300	1.33/1.47	47/42	3.56/4.06	38/40	0.33	CE

# YJF-12025 罩极电机 Shaded Pole Motors



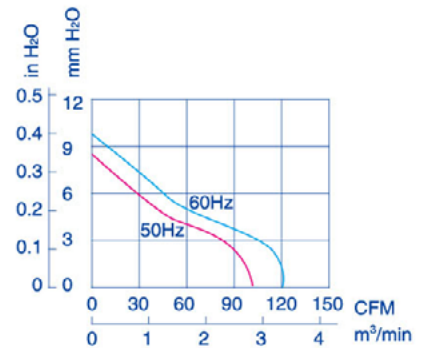
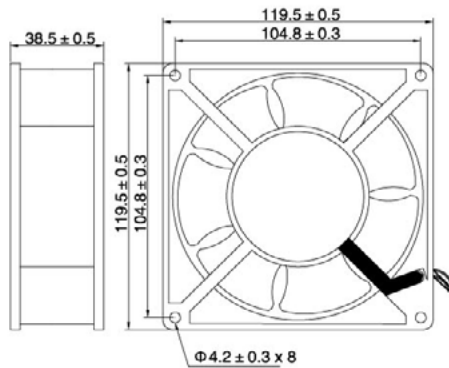
TYPE 型号	BEARING 轴承	LEAD WIRE 引出线	VOLTAGE 额定电压 V	FREQUENCY 额定频率 Hz	RATED INPUT 额定功率 W	RATED CURRENT 额定电流 A	SPEED 额定转速 r/min	AIR VOLUME 额定风量		STATIC PRESSURE 静压 mmH <sub>2</sub> O	NOISE 噪音 dBA	NET WEIGHT 净重 kg	LICENSE 认证
								m <sup>3</sup> /min	CFM				
12025HB	BALL	CABLE/TERMINAL	220-240	50/60	12/10	0.065/0.055	1950	1.58	56	2.60/2.30	38/40	0.33	CE UL
12025HS	SLEEVE	CABLE/TERMINAL	220-240	50/60	12/10	0.065/0.055	1700	1.39	49	2.70/2.40	36/38	0.33	CE UL
12025HB	BALL	CABLE/TERMINAL	110-120	50/60	19/18	0.19/0.18	2200/2400	1.78/1.95	63/69	3.50/4.10	38/40	0.33	CE UL
12025HS	SLEEVE	CABLE/TERMINAL	110-120	50/60	19/18	0.19/0.18	2200/2400	1.78/1.95	63/69	3.50/4.10	38/40	0.33	CE UL

# YJF-12038 罩极电机 Shaded Pole Motors



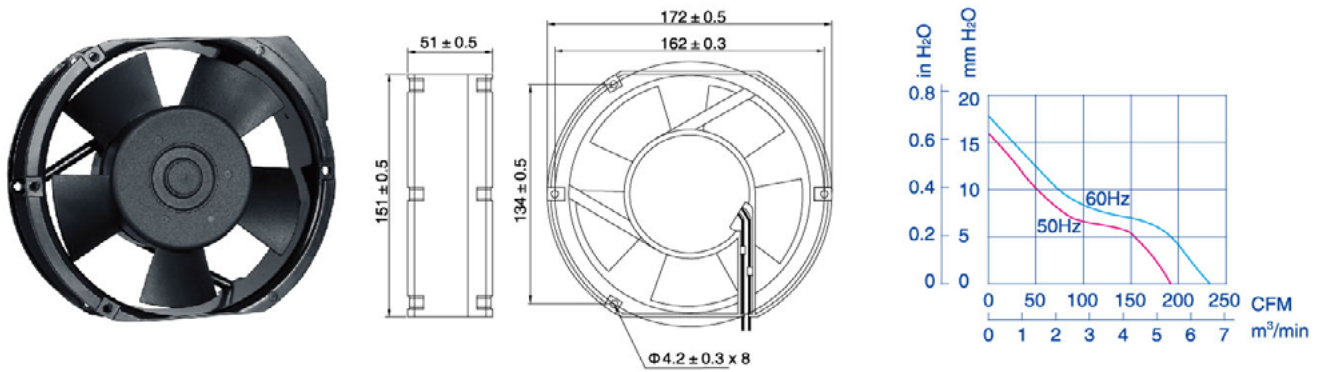
TYPE 型号	BEARING 轴承	LEAD WIRE 引出线	VOLTAGE 额定电压 V	FREQUENCY 额定频率 Hz	RATED INPUT 额定功率 W	RATED CURRENT 额定电流 A	SPEED 额定转速 r/min	AIR VOLUME 额定风量		STATIC PRESSURE 静压 mmH <sub>2</sub> O	NOISE 噪音 dBA	NET WEIGHT 净重 kg	LICENSE 认证
								m <sup>3</sup> /min	CFM				
12038HB	BALL	CABLE/TERMINAL	220~240	50/60	20/17	0.13/0.11	2600/2800	2.35/2.60	83/92	7.10/7.00	40/45	0.48	CE UL
12038HS	SLEEVE	CABLE/TERMINAL	220~240	50/60	20/17	0.13/0.11	2600/2800	2.35/2.60	83/92	7.10/7.00	40/45	0.48	CE UL
12038HB	BALL	CABLE/TERMINAL	110~120	50/60	21/18	0.22/0.18	2600/2900	2.35/2.66	83/94	7.10/7.00	40/46	0.48	CE UL
12038HS	SLEEVE	CABLE/TERMINAL	110~120	50/60	21/18	0.22/0.18	2600/2900	2.35/2.66	83/94	7.10/7.00	40/46	0.48	CE UL
12038HB	BALL	CABLE/TERMINAL	380	50	18	0.06	2600	2.35	83	7.10	40	0.48	
12038HS	SLEEVE	CABLE/TERMINAL	380	50	18	0.06	2600	2.35	83	7.10	40	0.48	

# YJF-12038-7 罩极电机 Shaded Pole Motors



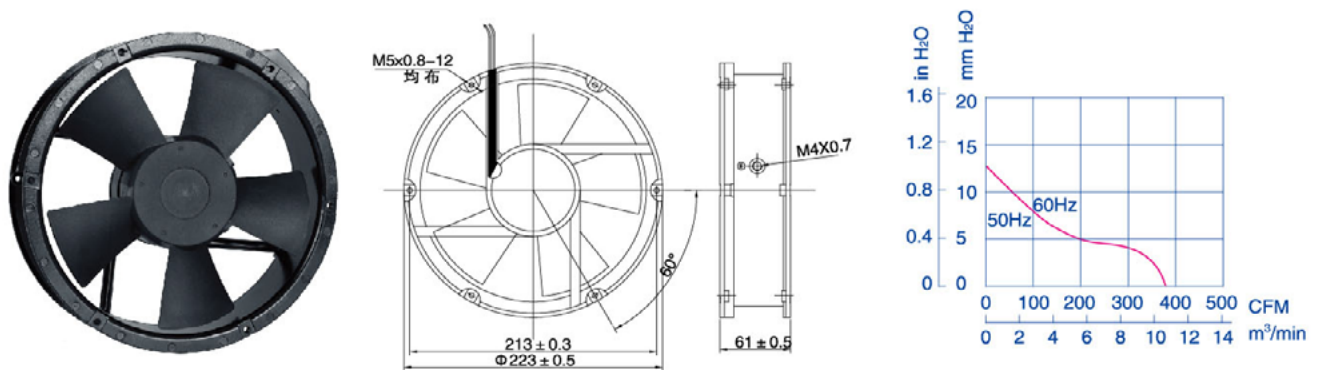
TYPE 型号	BEARING 轴承	LEAD WIRE 引出线	VOLTAGE 额定电压 V	FREQUENCY 额定频率 Hz	RATED INPUT 额定功率 W	RATED CURRENT 额定电流 A	SPEED 额定转速 r/min	AIR VOLUME 额定风量		STATIC PRESSURE 静压 mmH <sub>2</sub> O	NOISE 噪音 dBA	NET WEIGHT 净重 kg	LICENSE 认证
								m <sup>3</sup> /min	CFM				
12038HB-7	BALL	CABLE/TERMINAL	220~240	50/60	20/18	0.13/0.11	2300	2.52	89	6.65	40	0.48	CE UL
12038HS-7	SLEEVE	CABLE/TERMINAL	220~240	50/60	20/18	0.13/0.11	2000	2.18	77	6.45	37	0.48	CE UL
12038HB-7	BALL	CABLE/TERMINAL	110~120	50/60	21/18	0.26/0.24	2400	2.61	92	6.50	41	0.48	CE UL
12038HS-7	SLEEVE	CABLE/TERMINAL	110~120	50/60	21/18	0.26/0.24	2400	2.61	92	6.50	41	0.48	CE UL
12038HB-7	BALL	CABLE/TERMINAL	380	50	18	0.06	2500	2.72	96	6.80	42	0.48	
12038HS-7	SLEEVE	CABLE/TERMINAL	380	50	18	0.06	2500	2.72	96	6.80	42	0.48	

# YJF-15050 罩机电机 Shaded Pole Motors



TYPE 型号	BEARING 轴承	LEAD WIRE 引出线	VOLTAGE 额定电压 V	FREQUENCY 额定频率 Hz	RATED INPUT 额定功率 W	RATED CURRENT 额定电流 A	SPEED 额定转速 r/min	AIR VOLUME 额定风量		STATIC PRESSURE 静压 mmH <sub>2</sub> O	NOISE 噪音 dBA	NET WEIGHT 净重 kg	LICENSE 认证
								m <sup>3</sup> /min	CFM				
15050HB	BALL	CABLE/TERMINAL	220~240	50	36	0.28	2600	5.18	1.83	15.40	44	1.00	CE UL
15050HS	SLEEVE	CABLE/TERMINAL	220~240	50	36	0.28	2600	5.18	1.83	15.40	44	1.00	CE UL
15050HB	BALL	CABLE/TERMINAL	110~120	50/60	37/36	0.50/0.45	2700/3100	5.37/6.65	190/235	16.00/17.78	45/50	1.00	CE UL
15050HS	SLEEVE	CABLE/TERMINAL	110~120	50/60	37/36	0.50/0.45	2700/3100	5.37/6.65	190/235	16.00/17.78	45/50	1.00	CE UL
15050HB	BALL	CABLE/TERMINAL	380	50	34	0.11	2700	5.37	190	16.00	45	1.00	CE
15050HS	SLEEVE	CABLE/TERMINAL	380	50	34	0.11	2700	5.37	190	16.00	45	1.00	CE

# YJF-22060 罩机电机 Shaded Pole Motors



TYPE 型号	BEARING 轴承	LEAD WIRE 引出线	VOLTAGE 额定电压 V	FREQUENCY 额定频率 Hz	RATED INPUT 额定功率 W	RATED CURRENT 额定电流 A	SPEED 额定转速 r/min	AIR VOLUME 额定风量		STATIC PRESSURE 静压 mmH <sub>2</sub> O	NOISE 噪音 dBA	NET WEIGHT 净重 kg	LICENSE 认证
								m <sup>3</sup> /min	CFM				
22060HB	BALL	CABLE/TERMINAL	220~240	50	45	0.30	2200	10.1	3.56	24.4	53	1.60	CE
22060HB	BALL	CABLE/TERMINAL	110~120	50/60	57/58	0.76/0.77	2400	11	388	25.4	56	1.60	CE
22060HB	BALL	CABLE/TERMINAL	380	50	47	0.16	2400	11	388	25.4	56	1.60	CE

[www.wgmotor.com](http://www.wgmotor.com)

## 杭州微光电子股份有限公司

Hangzhou Weiguang Electronic Co., Ltd.

地址：杭州余杭经济技术开发区兴中路365号（兴中厂区）  
杭州余杭经济技术开发区红丰路512号（红丰厂区）

邮编：311100

电话：0571-86240288 89166617 89186908

传真：0571-86238506

E-mail: [service@wgmotor.com](mailto:service@wgmotor.com)

<http://www.wgmotor.com>

Add: No.365, Xingzhong Road, Yuhang Region, Hangzhou, China (Xingzhong Factory)

No.512, Hongfeng Road, Yuhang Region, Hangzhou, China (Hongfeng Factory)

P.C.: 311100

Tel: 0571-86240288 89166617 89186908

Fax: 0571-86238506

E-mail: [service@wgmotor.com](mailto:service@wgmotor.com)

<http://www.wgmotor.com>