

HERMETIC REFRIGERATION COMPRESSOR

COMPRESSOR MODEL : EGM35AF

PREPARED BY: Ahmed Abdelkhe

CHECKED BY: [Signature]

APPROVED BY: A. KASSEM  
1.1.2017

٢٠١٧ ١

ISSUE : 1 - 27/12/2016



PERFORMANCE CURVE FOR COMPRESSOR

(MODEL): **EGM35AF**

1PH, 50/60Hz, 220-240V

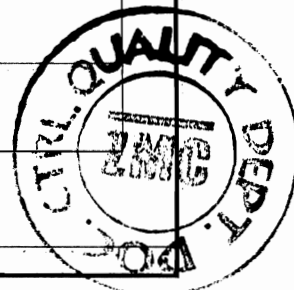
1 (APPLICATION)

(EVAPORATING TEMP. RANG)	-35~-15°C
(COOLING TYPE)	(STATIC)
(REFRIGERATION CONTROL)	(CAPILLARL)
(APPROVAL)	CE
(VOLTAGE RANGE)	187~240V
(REFRIGERANT)	R134a

2 (PERFORMANCE)

(COOLING CAPACITY)	75.0(W)
(INPUT POWER)	71.0(W)
(CURRENT)	0.68(A)
(EFFICIENCY) :COP	1.05(W/W)
(ASHRAE TEST CONDITION)	(LBP)
(TEST POWER SOURCE)	220-240V/~/50/60Hz 1PH
(EVAPORATING TEMP)	-23.3°C
(CONDENSING TEMP)	54.4°C
(RETURN GAS TEMP)	32.2°C
(LIQUID TEMP)	32.2°C
(AMBIENT TEMP)	32.2°C

2.17 2.17 1



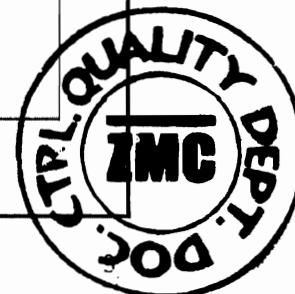
PERFORMANCE CURVE FOR COMPRESSOR

(MODEL): **EGM35AF**

1PH, 50/60Hz, 220-240V

3. (MAIN STRUCTURE)

(COMPRESSOR TYPE)	(HERMETIC MOTOR-COMPRESSOR)
(PUMP TYPE)	(RECIPROCATING TYPE)
(DISPLACEMENT)	3.5cm <sup>3</sup>
(OIL TYPE)	RL22
(OIL CHARGE)	130ml
(PAINTING)	(BLACK PAINT,BAKED)
(NET WEIGHT)	4.5 ± 0.1Kg
(SUCTION TUBE)	φ 6.2 ± 0.1
(DISCHARGE TUBE)	φ 5.1 ± 0.1
(PROCESS TUBE)	φ 6.2 ± 0.1
(RESIDUAL	80mg MAX
(RESIDUAL IMPURITIES)	100mg MAX



PERFORMANCE CURVE FOR COMPRESSOR

(MODEL): **EGM35AF**

1PH, 50/60Hz, 220-240V

4. (MOTOR)

(STARTUP TYPE)	RSIR(PTC)
(VOLTAGE RANGE)	187~240V
(LOCKED ROTOR AMPS)	5.5A

5. (ELECTRICAL COMPONENTS)

(THERMAL PROTECTOR)	
(TYPE)	EGM35AF /DRB17P61A1
(TRIP TEMP)	125±5°C
(RESET TEMP)	61±9°C
(U.T.C) 75°C	1.4A
(TRIP CURRENT) 25°C	5.5A
(TRIP TIME)	7-14sec
(START RELAY)	
(TYPE)	QP2-15
(RESISTANCE)	15±8%Ω
(RECOVER TIME)	80sec MAX

٢٠١٧



## LIST OF COMPRESSOR & ACCESSORY PARTS

(MODEL): EGM35AF

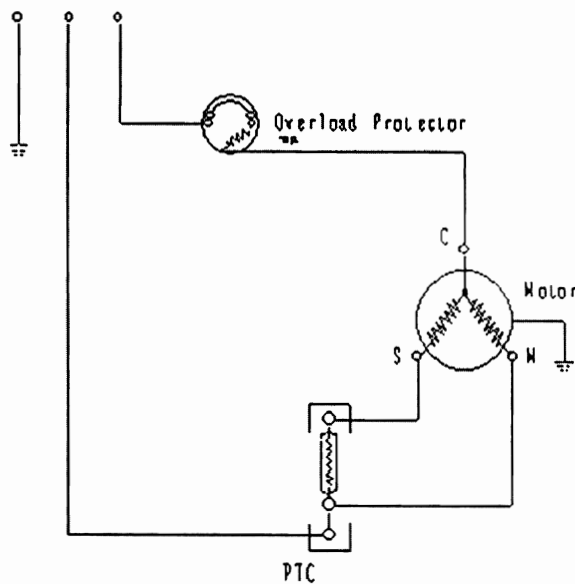
1PH, 50/60Hz, 220-240V

### 6. (ACCESSORY PARTS)

(NAME)	(QTY)
(THERMAL PROTECTOR)	EGM35AF/DRB17P61A1 BB55-125
(START RELAY)	QP2-15
(RUNNING CAPACITOR)	/
(ELECTRICAL COVER)	1
(COVER CLAMP)	1
(RUBBER GROMMET)	4
(BUSHING)	4

### 7. (RSIR)

RSIR (PTC)



2.1V ← 1

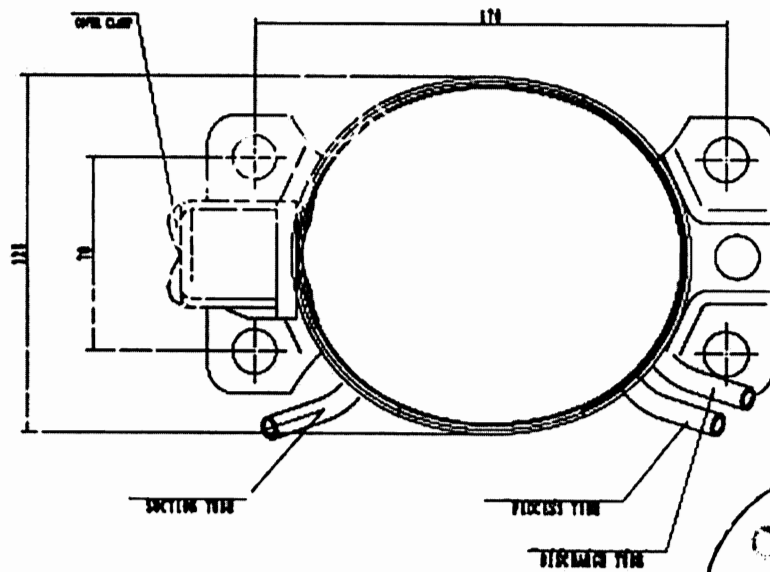
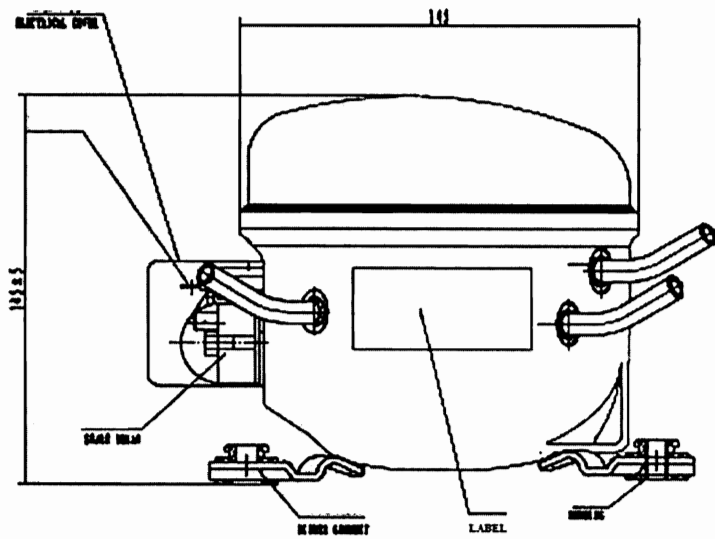


# LIST OF COMPRESSOR & ACCESSORY PARTS

(MODEL): EGM35AF

1PH, 50/60Hz, 220-240V

## 8. (Compressor Dimensions) :



2.14 2.1 1

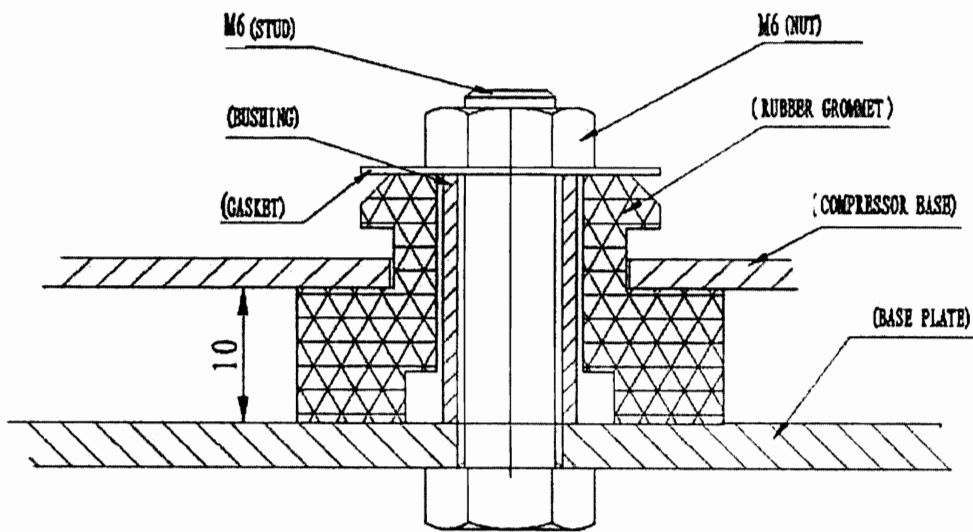


LIST OF COMPRESSOR & ACCESSORY PARTS

(MODEL): EGM35AF

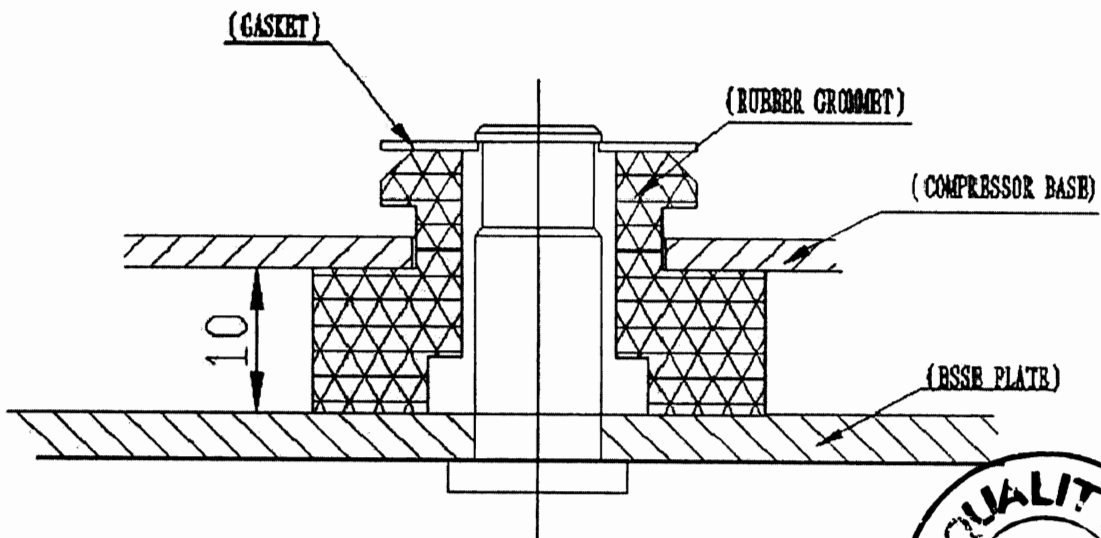
1PH, 50/60Hz, 220-240V

9. (MOUNTING DIAGRAM)



(MOUNTING TYPE) :(1)

REV 1



(MOUNTING TYPE) :(2)

