

### OPERATION:

Application:	LB.P.	Max. Ambient temperature:	43	°C
Refrigerant:	R134a	(1) Max. Steady discharge temperature:	120	°C
Operation:	Capillary	(1.2) Max. Peak discharge temperature:	135	°C
Cooling:	Static	Max. Steady condensing temperature:	60	°C
		( 2 ) Max. Peak condensing temperature:	70	°C
		Max. Winding temperature:	130	°C
		Max. Impurities:	80	mg
		Max. Compressor water content:	100	mg

### COMPRESSOR:

Displacement:	6.6 cm <sup>3</sup>	Oil type:	Ester
Bore:	22 mm	(4) Viscosity	19 cST
Stroke:	17.37 mm	Suction muffler	Semi-direct

(3) Net weight	7.50 Kg
Case size	170 X 140 X 175 mm
Oil charge	180 cm <sup>3</sup>

### ELECTRICAL:

Power Supply:	220-240V	Motor type:	RSIR/CSIR
Voltage limits:	187-264V	Locked rotor current:	5.23 A
Frequency:	50Hz	Main winding resistance at 25°C :	14.20 ±5%Ω
Phase:	1 PH	Start winding resistance at 25°C :	11.00 ±5%Ω

\*\* Maximum current /Measured current after 4 seconds

(1) Measured 5 cm from the shell with insulated thermocouples

(2) For transient conditions during "pull down"

(3) Net weight is with oil but without electrics

(4) Measured at 40 °C



### ELECTRICAL COMPONENTS:

Starter relay:	9660 B 118
Attract current (A):	3.80A
Release current (A):	3.25A
Starting capacitor:	47-56 $\mu$ F
PTC	QP2-15 $\Omega$

### PROTECTORS:

Type	DRB21P61A1
Open $^{\circ}$ C	120-130
Close $^{\circ}$ C	52-70
U . T . C	1.4-1.7
Time check Current (7-14s)	4.8A

### PERFORMANCE DATA

#### TEST CONDITIONS

Condensing temperature
Liquid temperature
Gas return temperature
Ambient temperature

#### ASHRAE

55 $^{\circ}$ C
32 $^{\circ}$ C
32 $^{\circ}$ C
32 $^{\circ}$ C

#### CECOMAF

55 $^{\circ}$ C
55 $^{\circ}$ C
32 $^{\circ}$ C
32 $^{\circ}$ C

#### At ASHRAE conditions:

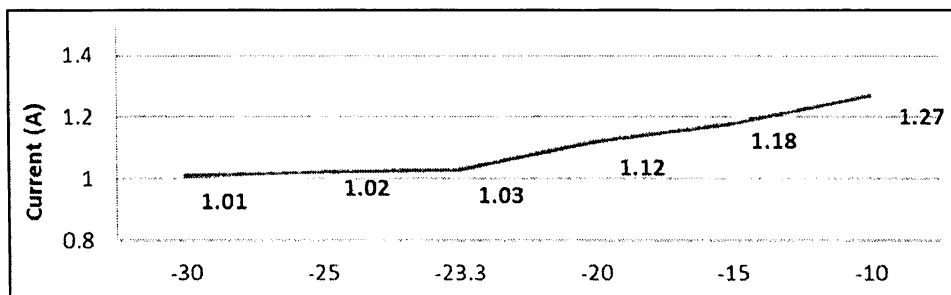
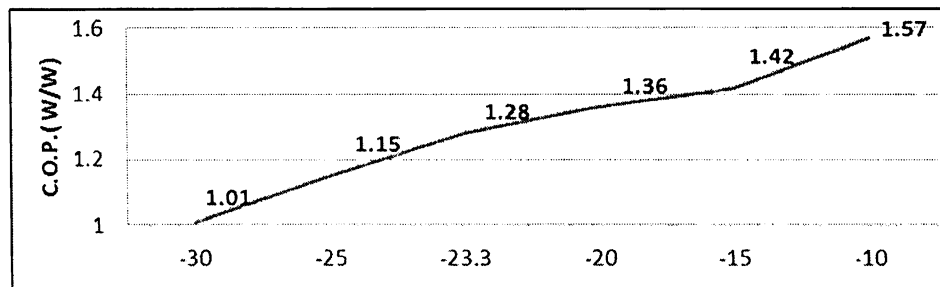
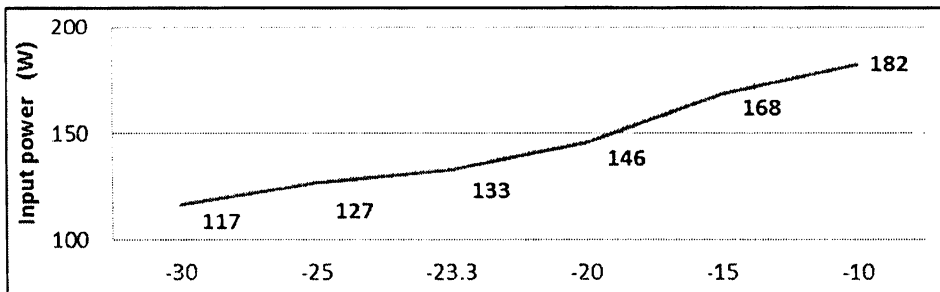
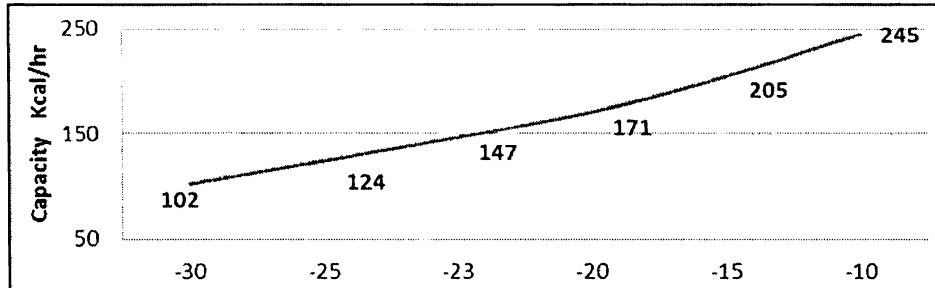
Evaporating temperature ( $^{\circ}$ C)		-30	-25	-23.3	-20	-15	-10
Capacity	Kcal/hr	102	124	147	171	205	245
C.O.P	W/W	1.01	1.15	1.28	1.36	1.42	1.57
Input	W	117	127	133	146	168	182
Current	A	1.01	1.02	1.03	1.12	1.18	1.27



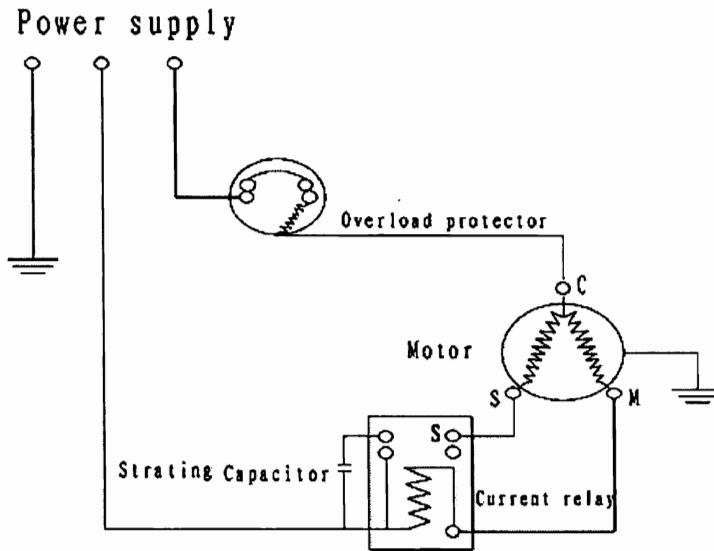
## PERFORMANCE CHARTS :

(Charts at ASRAE conditions)

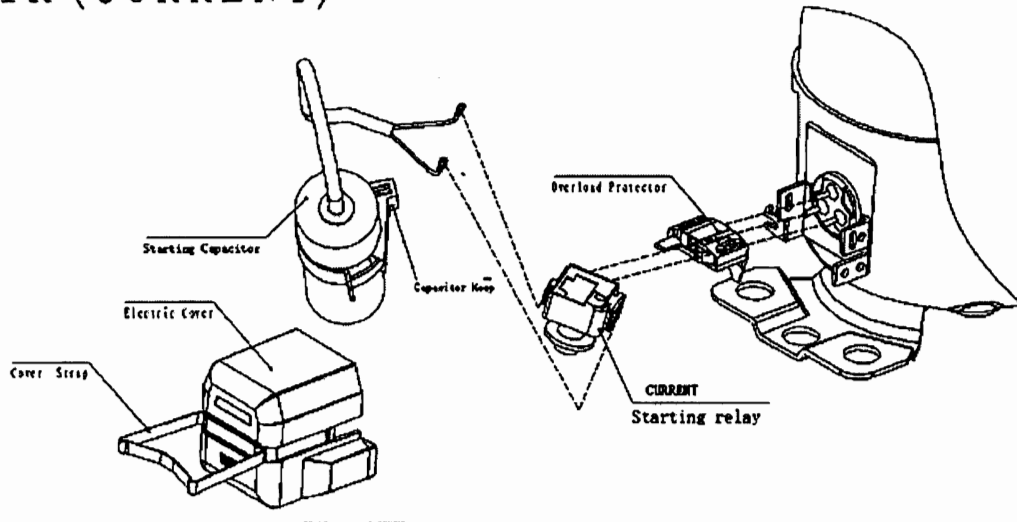
220V / 50Hz



Wiring Diagram:



## CSIR (CURRENT)



۲۰۲۰ ۹

