

OPERATION:

| | | | |
|--------------|-----------|--|--------|
| Application: | L.B.P. | Max. Ambient temperature: | 43 °C |
| Refrigerant: | R134a | (1) Max. Steady Discharge temperature: | 120 °C |
| Operation: | Capillary | (1.2) Max. peak Discharge temperature: | 135 °C |
| Cooling: | Static | Max. steady condensing temperature: | 60 °C |
| | | (2) Max. peak condensing temperature: | 70 °C |
| | | Max. winding temperature | 130 °C |
| | | Max. Impurities: | 30 mg |
| | | Max. compressor water content: | 100 mg |

COMPRESSOR:

| | | | |
|------------------|----------------------|-----------------|---------------|
| Displacement: | 7.39 cm ³ | Oil type: | Ester |
| Bore: | 24.29 mm | (4) Viscosity | 19 cSt |
| Stroke: | 15.94 mm | Suction muffler | Semi – direct |
| (3) Net weight | 9.20 Kg | | |
| Case size | 3 | | |
| Oil charge | 350 cm ³ | | |

ELECTRICAL:

| | | | |
|-----------------|-------------|-----------------------------------|-------------------|
| Power Supply: | 220 – 240 V | Motor Type: | RSIR / RSCR * |
| Voltage Limits: | 187 – 264 V | Locked Rotor Current: | 13.45 / 7.39 A ** |
| Frequency: | 50 HZ | Main winding Resistance at 25 C: | 12.80 Ω |
| Phase: | 1 Ph | Start winding Resistance at 25 C: | 15.30 Ω |

* With optional Run capacitor

** Maximum current / Measured current after 4 seconds

(1) Measured 5 cm from the shell with insulated thermocouples

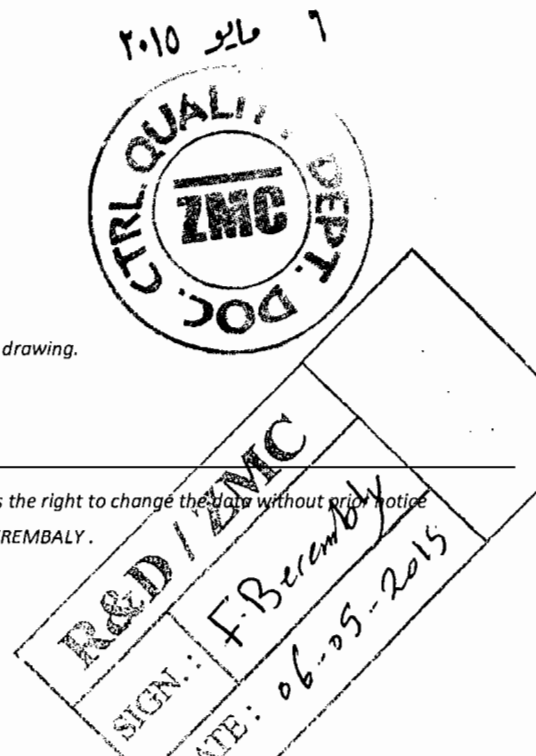
(2) For transient conditions during " Pull Down "

(3) Net weight is with oil but without electrics

(4) Measured at 40 °C

For rated performance , the suction line must be connected to the stub marked " AS " on the attached drawing.

Except for high efficiency compressors, performance data is without a run capacitor



ELECTRICAL COMPONENTS:

| | | | |
|-------------------------|-----------|--------------------------|-------------|
| ZEM starting device: | PTC- 8100 | UH Starting Device: | PTC- 3003-x |
| ZEM PTC Resistance: | 14 Ω | UH PTC Resistance: | 14 Ω |
| Combo PTC | 14 Ω | Alt. UH Starting Device: | PTC- 3001-x |
| RUN Capacitor (Option) | 4.0 Mf | | |


PROTECTORS:

| PROTECTORS | Electrica 3/4 | Lanxi – China | | |
|-------------------------------|---------------|---------------|--|--|
| Type | T 0502/ xx | DRB4- B90-130 | | |
| Open ○C | 130 | 130 | | |
| Close ○C | 61 | 61 | | |
| U . T . C | 2.34 | 2.34 | | |
| Time check Current (5-15s) | 9 | 9 | | |
| Max. Current (2s max.) | 17 | 17 | | |

Electrica 'x' Codes: 74 for terminal boards Mod.89,90
 25 for UH protector M3.5 screw

24 for UH protector with 6.3mm fast-on
 26 for terminal board Mod.91

٢٠١٥ ٢٤ ٧

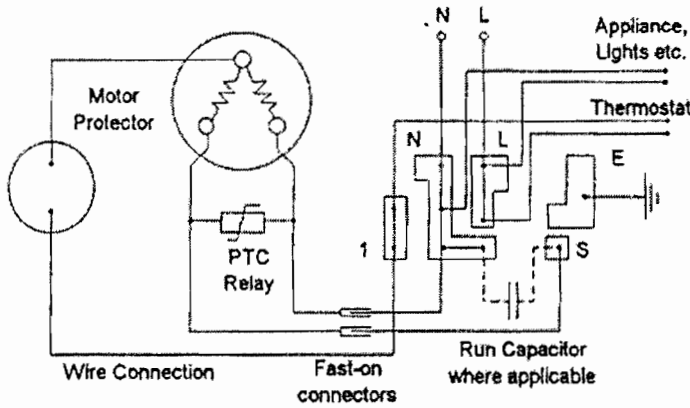


R&D/ZMC

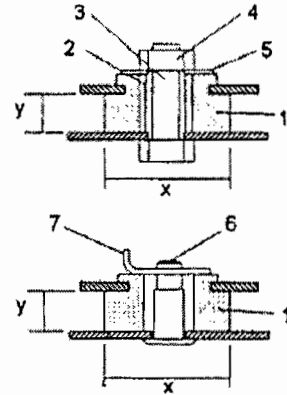
SIGN.: F. Berembaly

DATE: 06-05-2015

Circuit Diagram for Mod.90 Terminal Board

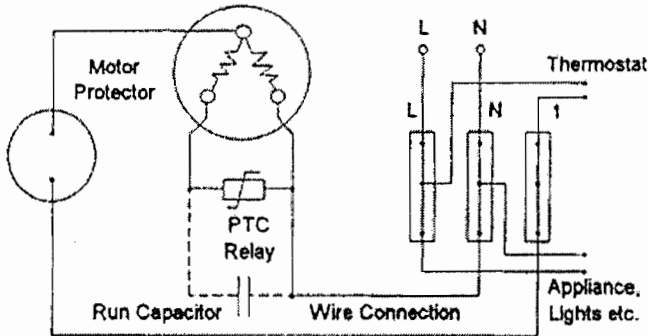


Mounting Accessories

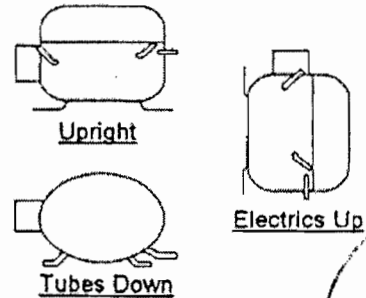


- x = 26mm or 28.5mm
- y = 9mm or 10.3mm
- Other sizes available
- 1. Rubber grommet
- 2. Sleeve
- 3. Hexagon head bolt
- 4. Hexagon nut
- 5. Washer
- 6. Steel pin
- 7. Clip

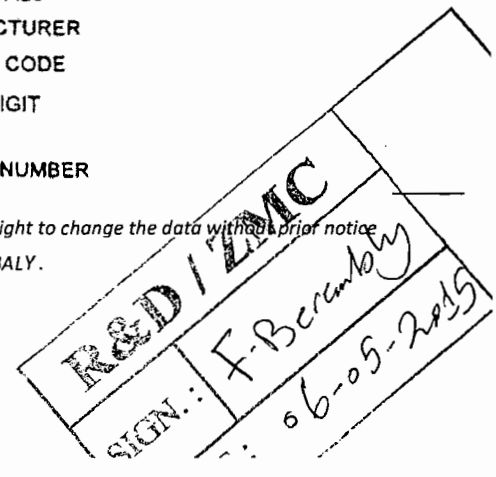
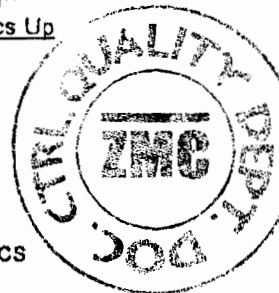
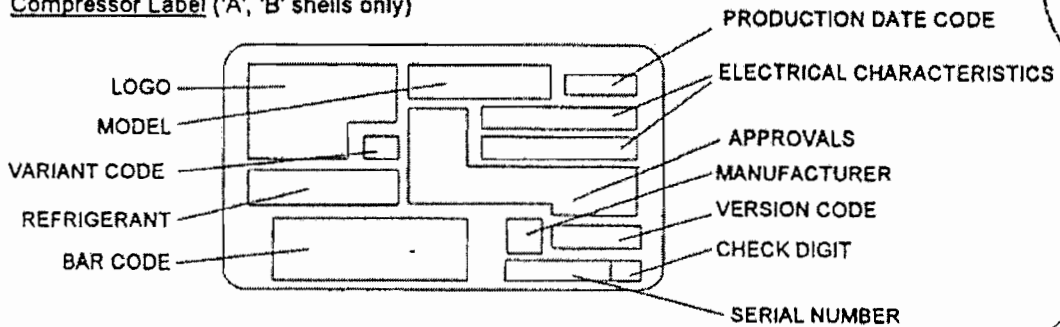
Circuit Diagram for U.H. Terminal Board



Recommended Transport Positions when fitted into appliances



Compressor Label ('A', 'B' shells only)



PERFORMANCE DATA

| TEST CONDITIONS | ASHRAE | CECOMAF |
|------------------------|--------|---------|
| Condensing temperature | 55 ° C | 55 ° C |
| Liquid temperature | 32 ° C | 55 ° C |
| Gas return temperature | 32 ° C | 32 ° C |
| Ambient temperature | 32 ° C | 32 ° C |

At ASHRAE Conditions:

| Evaporating temperature (° C) | -30 | -25 | -23.3 | -20 | -15 | -10 |
|-------------------------------|------|------|-------|------|------|------|
| Capacity Kcal/hr | 121 | 163 | 172 | 211 | 268 | 342 |
| C.O.P. W/W | 0.98 | 1.14 | 1.20 | 1.30 | 1.46 | 1.67 |
| Input power W | 144 | 166 | 167 | 189 | 213 | 239 |
| Current A | 1.14 | 1.20 | 1.19 | 1.27 | 1.35 | 1.44 |

٦ مايو ٢٠١٥

