

OPERATION:

Application:	L.B.P.	Max. Ambient temperature:	43 °C
Refrigerant:	R134a	(1) Max. Steady Discharge temperature:	120 °C
Operation:	Capillary	(1.2) Max. peak Discharge temperature:	135 °C
Cooling:	Static	Max. steady condensing temperature:	60 °C
		(2) Max. peak condensing temperature:	70 °C
		Max. winding temperature	130 °C
		Max. Impurities:	30 mg
		Max. compressor water content:	100 mg

COMPRESSOR:

Displacement:	9.08 cm ³	Oil type:	Ester
Bore:	24.29 mm	(4) Viscosity	19 cSt
Stroke:	19.60 mm	Suction muffler	Semi – direct

(3) Net weight	9.82 Kg
Case size	3
Oil charge	445 cm ³

ELECTRICAL:

Power Supply:	220 – 240 V	Motor Type:	RSIR / RSCR *
Voltage Limits:	187 – 264 V	Locked Rotor Current:	16.20 / 9.67 A **
Frequency:	50 HZ	Main winding Resistance at 25 C:	9.20 Ω
Phase:	1 Ph	Start winding Resistance at 25 C:	12.70 Ω

* With optional Run capacitor

** Maximum current / Measured current after 4 seconds

(1) Measured 5 cm from the shell with insulated thermocouples

(2) For transient conditions during " Pull Down "

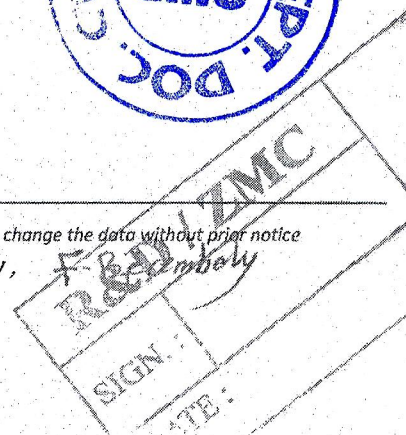
(3) Net weight is with oil but without electrics

(4) Measured at 40 °C

For rated performance , the suction line must be connected to the stub marked " AS " on the attached drawing.

Except for high efficiency compressors, performance data is without a run capacitor

٢٠١٥ مايو ٢٦



ELECTRICAL COMPONENTS:

ZEM starting device:	PTC- 8100	UH Starting Device:	PTC- 3003-x
ZEM PTC Resistance:	14 Ω	UH PTC Resistance:	14 Ω
Combo PTC	14 Ω	Alt. UH Starting Device:	PTC- 3001-x
RUN Capacitor (Option)	4.0 Mf		

PROTECTORS:

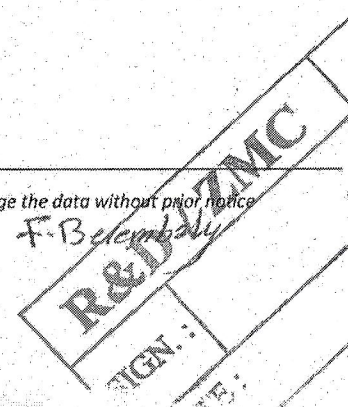
PROTECTORS	Electrica ³ / ₄	Lanxi - China			
Type	T 0137/ xx	DRB4- B95-130			
Open \circ C	125-135 \circ C	125-135 \circ C			
Close \circ C	70-55 \circ C	70-55 \circ C			
U . T . C	3.36 A 70 \circ C	3.36 A 70 \circ C			
Time check Current(5-15s)	9.50 A	9.50 A			
Max. Current (2s max.)	20 A	20 A			

Electrica 'X' Codes: 74 for terminal boards Mod.89,90

24 for UH protector with 6.3mm fast-on

25 for UH protector M3.5 screw

26 for terminal board Mod.91



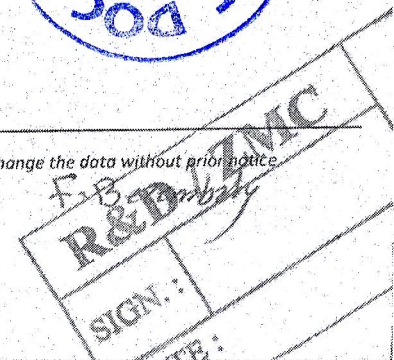
PERFORMANCE DATA

TEST CONDITIONS	ASHRAE	CECOMAF
Condensing temperature	55 ° C	55 ° C
Liquid temperature	32 ° C	55 ° C
Gas return temperature	32 ° C	32 ° C
Ambient temperature	32 ° C	32 ° C

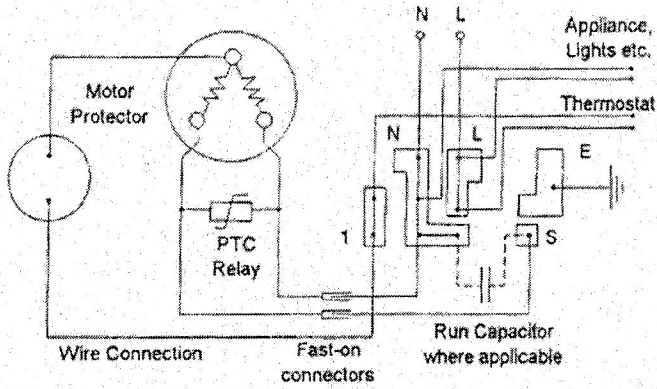
At ASHRAE conditions:

Evaporating temperature (° C)	-30	-25	-23.3	-20	-15	-10
Capacity Kcal/hr	139	184	206	241	307	384
C.O.P. W/W	0.99	1.12	1.19	1.28	1.44	1.60
Input power W	164	191	202	219	249	280
Current A	1.30	1.37	1.41	1.46	1.56	1.68

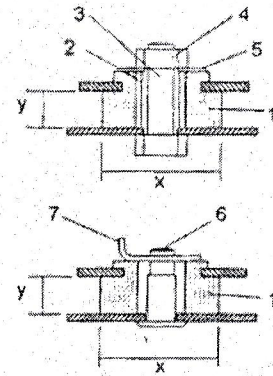
٢٦ مايو ٢٠١٥



Circuit Diagram for Mod 90 Terminal Board

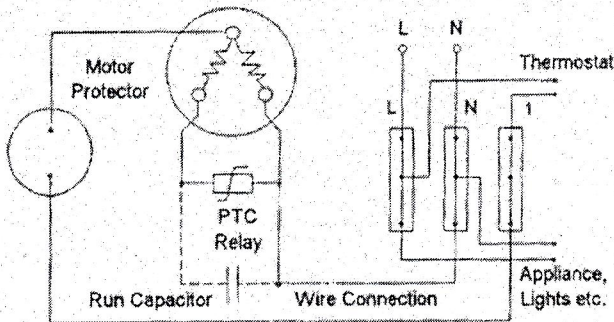


Mounting Accessories

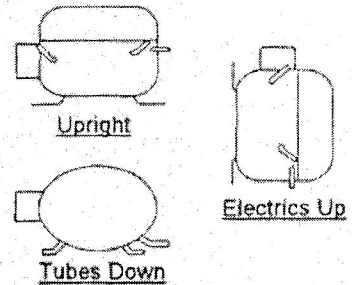


- x = 26mm or 28.5mm
- y = 9mm or 10.3mm
- Other sizes available
- 1. Rubber grommet
- 2. Sleeve
- 3. Hexagon head bolt
- 4. Hexagon nut
- 5. Washer
- 6. Steel pin
- 7. Clip

Circuit Diagram for U.H. Terminal Board



Recommended Transport Positions when fitted into appliances



Compressor Label ('A', 'B' shells only)

