

OPERATION:

Application:	L.B.P.	Max. Ambient temperature:	43 °C
Refrigerant:	R134a	(1) Max. Steady Discharge temperature:	120 °C
Operation:	Capillary	(1.2) Max. peak Discharge temperature:	135 °C
Cooling:	Static	Max. steady condensing temperature:	60 °C
		(2) Max. peak condensing temperature:	70 °C
		Max. winding temperature	130 °C
		Max. Impurities:	30 mg
		Max. compressor water content:	100 mg

COMPRESSOR:

Displacement:	9.93 cm ³	Oil type:	Ester
Bore:	25.40 mm	(4) Viscosity	19 cSt
Stroke:	19.60 mm	Suction muffler	Semi – direct

(3) Net weight	10.25 Kg
Case size	3
Oil charge	350 cm ³

ELECTRICAL:

Power Supply:	220 – 240 V	Motor Type:	RSIR / RSCR *
Voltage Limits:	187 – 264 V	Locked Rotor Current:	14.49 / 10.19 A **
Frequency:	50 HZ	Main winding Resistance at 25 C:	7.10 Ω
Phase:	1 Ph	Start winding Resistance at 25 C:	20.60 Ω

* With optional Run capacitor

** Maximum current / Measured current after 4 seconds

(1) Measured 5 cm from the shell with insulated thermocouples

(2) For transient conditions during " Pull Down "

(3) Net weight is with oil but without electrics

(4) Measured at 40 °C

For rated performance , the suction line must be connected to the stub marked " AS " on the attached drawing.

Except for high efficiency compressors, performance data is without a run capacitor



ELECTRICAL COMPONENTS:

ZEM starting device:	PTC- 8100	UH Starting Device:	PTC- 3003-x
ZEM PTC Resistance:	14 Ω	UH PTC Resistance:	14 Ω
Combo PTC	14 Ω	Alt. UH Starting Device:	PTC- 3001-x
RUN Capacitor (Option)	4.0 μF		

PROTECTORS:

PROTECTORS	Electrica 3/4	Ningbo - Foshan			
Type	T 0137/ xx	B75-120			
Open °C	115-125 °C	115-125 °C			
Close °C	70-55 °C	70-55 °C			
U . T . C					
Time check Current(5-15s)	7.5	7.5			
Max. Current (2s max.)	9.5 A	9.5 A			
Code (if any)					

Electrica 'x' Codes: 74 for terminal boards Mod.89,90

25 for UH protector M3.5 screw

24 for UH protector with 6.3mm fast-on

26 for terminal board Mod.91



PERFORMANCE DATA

TEST CONDITIONS	ASHRAE	CECOMAF
Condensing temperature	55 ° C	55 ° C
Liquid temperature	32 ° C	55 ° C
Gas return temperature	32 ° C	32 ° C
Ambient temperature	32 ° C	32 ° C

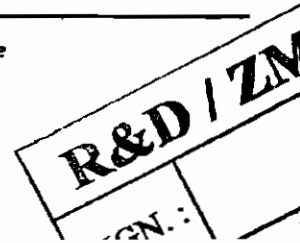
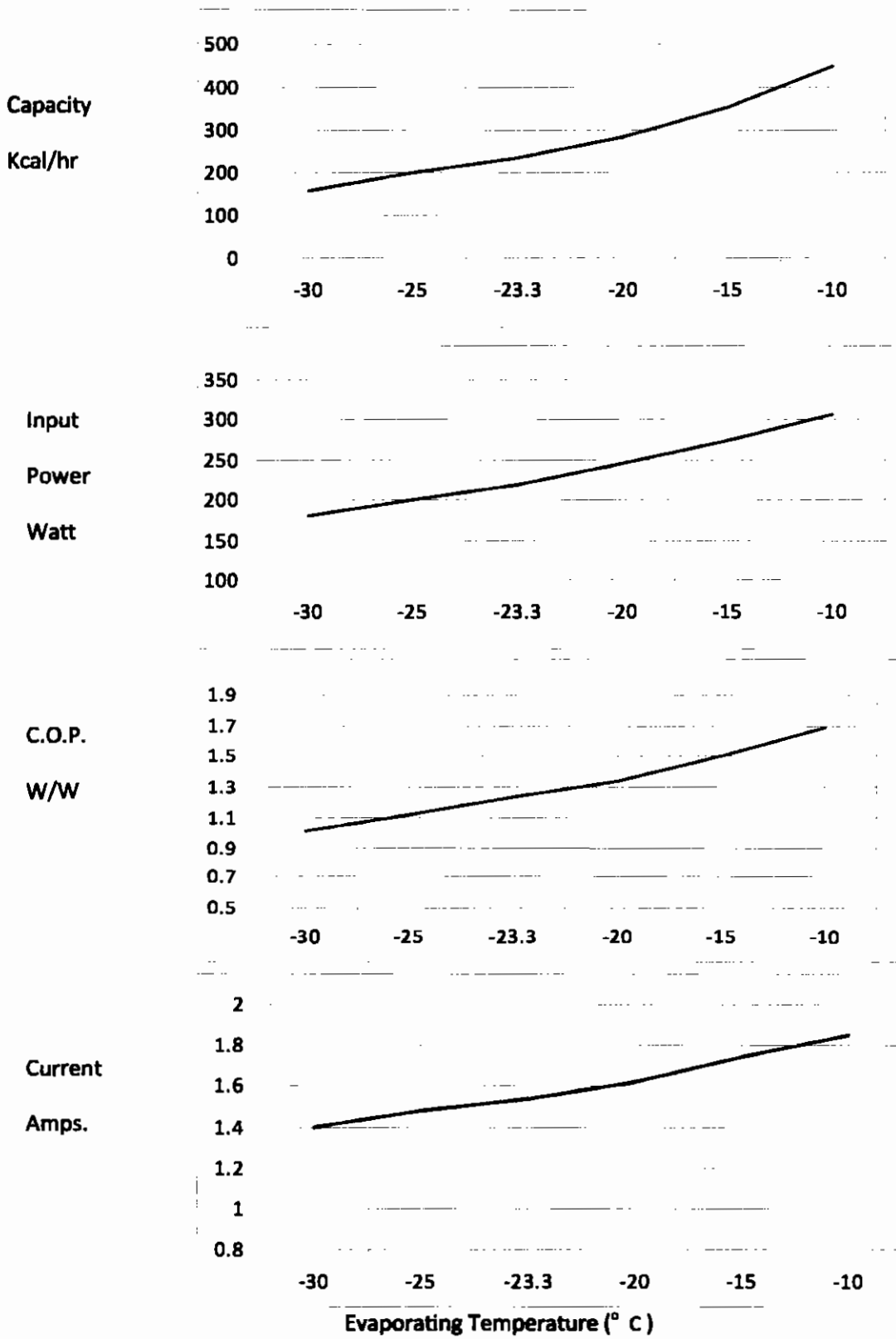
At ASHRAE conditions:

Evaporating temperature (° C)		-30	-25	-23.3	-20	-15	-10
Capacity	Kcal/hr	157	200	236	286	355	449
C.O.P.	W/W	1.01	1.12	1.23	1.34	1.50	1.69
Input power	W	180	200	219	245	275	307
Current	A	1.40	1.48	1.54	1.62	1.74	1.85

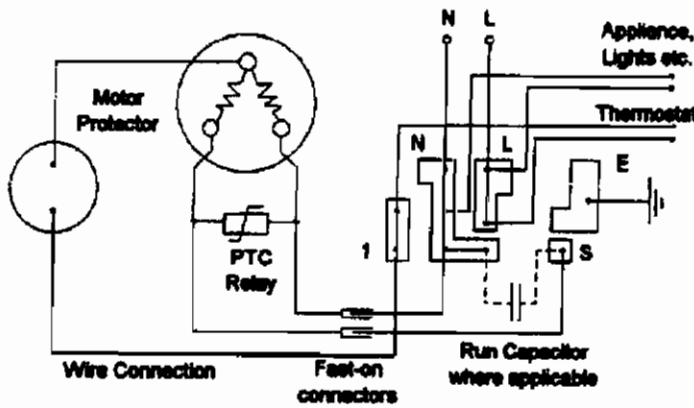
PERFORMANCE CHARTS

(Charts at ASRAE conditions)

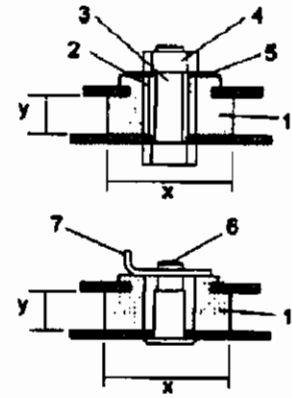
220 V / 50 Hz



Circuit Diagram for Mod.90 Terminal Board

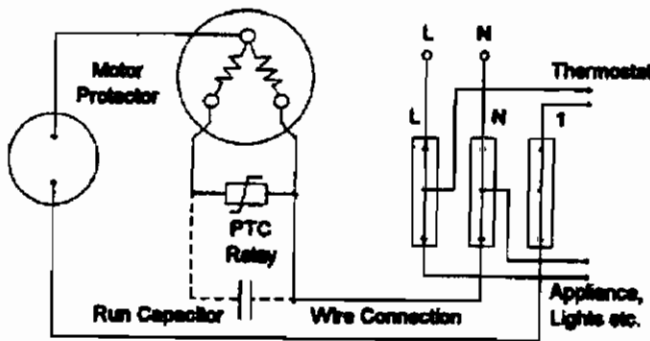


Mounting Accessories

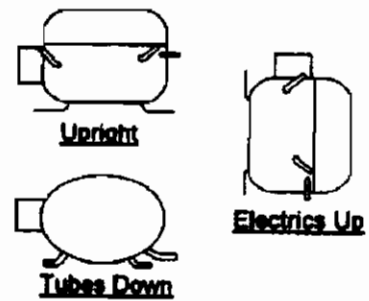


- x = 20mm or 28.5mm
y = 9mm or 10.3mm
Other sizes available
1. Rubber grommet
2. Sleeve
3. Hexagon head bolt
4. Hexagon nut
5. Washer
6. Steel pin
7. Clip

Circuit Diagram for U.H. Terminal Board



Recommended Transport Positions when fitted into appliances



Compressor Label ('A', 'B' shells only)

