

MCMC COMPRESSORS

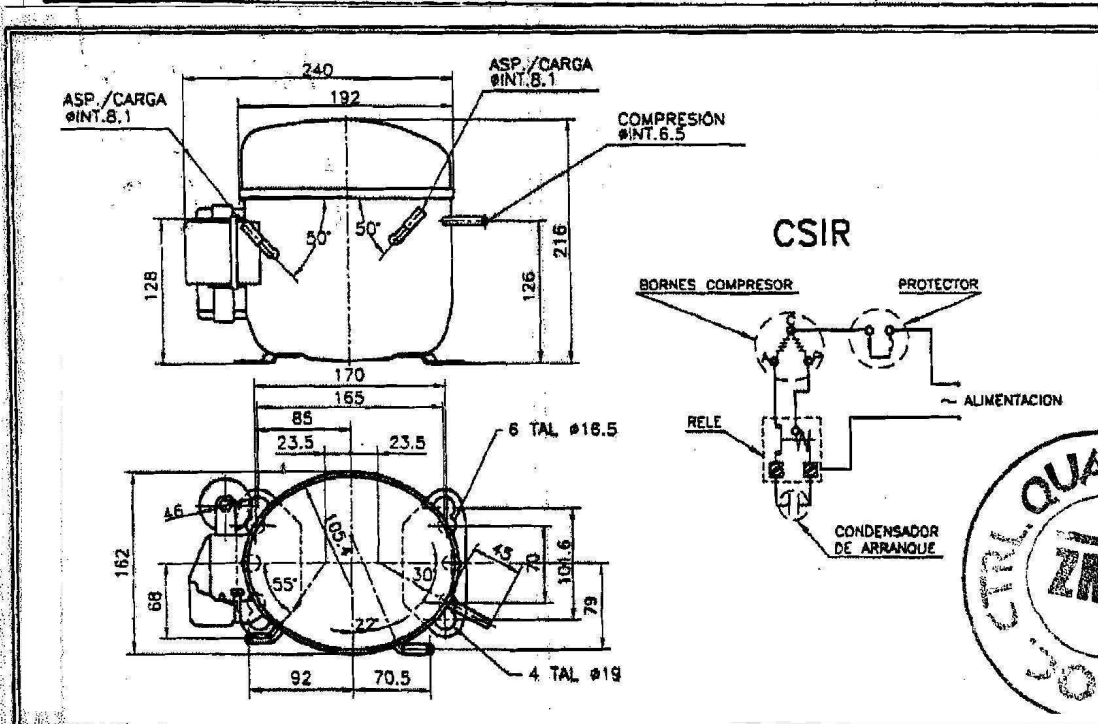
GP16TB
220-240V~50Hz
H-F VE01

GP16TB

Technical data

Application			
Evaporating temp. range	°C	-15 a 10	
Refrigerant		R134a	
Expansion system		Capilar o válvula	
Cooling		Ventilación forzada	
Recommended max. ambient temp.	°C	43	
Rated performance		Ciclo C	Ciclo D
Refrigerating capacity		1213 W	1240 kcal/h
Input	W	666	690
EER	kcal/W-h	-	1,80
COP	W/W	1,82	-
Current	A	3,91	4,00
Test conditions:			
Evaporating temp.	°C	5	7,2
Condensing temp.	°C	55	55
Liquid temp. entering expansion valve	°C	55	46
Ambient and return gas temp.	°C	32	35
Voltage/frequency	V/Hz	220/50	220/50
Compressor Data			
Displacement	cm ³	16,00	
Bore/Stroke	mm	31,18/21,13	
Net weight	kg	13,1	
Motor Data			
Approximate power	CV	3/8	
Code/Type/Phases		61.572/CSIR/1PH	
Voltage/Rated frequency	V/Hz	220-240/50	
Limit voltages	V	187-264	
Locked rotor current	A	20,0	
Main W resistance at 25 °C	Ω	3,70	
Start W resistance at 25 °C	Ω	20,00	
Electrical Components			
Relay:		9660A158	MTRP51
Pick-up	A	9,15	9,05
Drop-out	A	7,70	7,70
Protector:		MRP00AMK	T0425
Current/Time close	A/seg.	11,7	11,5
Open/Close temp.	°C	105/61	105/61
Start capacitor	μF/V	72-88/330	
Run capacitor	μF/V	---	
Oil Charge	cm ³	400	Tipo ISO VG46

Dimensions and electrical diagrams



MCMC COMPRESSORS

GP16TB
220-240 V ~ 50 Hz
R134a H-F VE01

220 V ~ 50 Hz

CONDENSING TEMPERATURE (°C)	
-----	40
-----	45
-----	50
-----	55
-----	60

Liquid subcooled in 9 °C
Ambient and return gas temp. 35°C

