



COMPRESSORS

COMMERCIAL
REFRIGERATION



R290

R1234yf

R134a

R404A

R452A

R449A

Cooling for a Better Tomorrow™



Founded in 1934, Tecumseh Products Company is a leading global manufacturer offering reciprocating, rotary and scroll compressors with hermetic and semi-hermetic technology ranging in capacity from 80W to 27kW, as well as offering a complete line of condensing units and systems for use in residential, commercial refrigeration and air conditioning applications.

Tecumseh products are manufactured on four continents and sold globally through a network of sales professionals and authorized wholesalers offering brand names that include: L'Unité Hermétique®, Masterflux®, SILENSYS®, and WINTSYS®.

Tecumseh Products Company is headquartered in Ann Arbor, Michigan. In Europe, Tecumseh is headquartered in France (Isère).

Tecumseh

Cooling for a Better Tomorrow™

TABLE OF CONTENTS

INTRODUCTION	4
THE ONLY MANUFACTURER TO OFFER 3 COMPRESSOR TECHNOLOGIES	4
ENLARGED REFRIGERANT OFFER.	5
RANGE KEY FEATURES AND BENEFITS	6
SERIAL LABELS.	7
COMPRESSOR MODEL NOMENCLATURE	8
POSITIVE APPLICATION COOLING CAPACITY RANGE	9
NEGATIVE APPLICATION COOLING CAPACITY RANGE.	9
AJ ²	10
IMPROVED EFFICIENCY. QUIET OPERATION. ECO-FRIENDLY.. . . .	10
CONNECTION IN LESS THAN 2 SECONDS UNIQUE IN THE MARKET.	10
USEFUL TOOLS THROUGHOUT PRODUCT LIFE CYCLE.	11
ASERCOM COMPRESSOR CERTIFICATION PROGRAM	12
POSITIVE REFRIGERATION - HBP	12
R290	12
R1234yf.	12
R134a	14
POSITIVE REFRIGERATION - HBP / CBP	16
R134a	16
POSITIVE REFRIGERATION - HBP / MHBP	18
R404A.	18

1938: Tecumseh revolutionized the industry with the first hermetically sealed compressor, significantly increasing appliance longevity and reliability.



TABLE OF CONTENTS (CONT'D)

POSITIVE REFRIGERATION - HBP / CBP	20
R404A.	20
POSITIVE REFRIGERATION - HBP / MHBP	22
R452A.	22
POSITIVE REFRIGERATION - HBP / CBP	24
R452A.	24
POSITIVE REFRIGERATION - HBP / MHBP	26
R449A.	26
POSITIVE REFRIGERATION - HBP / CBP	28
R449A.	28
NEGATIVE REFRIGERATION - LBP	30
R290	30
R134a	30
R404A.	30
R452A.	34
R449A.	36
DIMENSIONS	40
ELECTRICAL DRAWINGS	42
LABORATORY EQUIPEMENT.	44
LABORATORY ACCREDITATION	44

50 Hz

HERMETIC AND SEMI-HERMETIC COMPRESSOR RANGES

INTRODUCTION

The following compressor catalog intends to introduce Tecumseh commercial refrigeration current and upcoming offer, depending on application requirements.

Tecumseh's wholesalers, equipment manufacturers and service contractors will find useful information to pre-select the right product amongst current and new ranges of compressors and refrigerants.

THE ONLY MANUFACTURER TO OFFER THREE (3) COMPRESSOR TECHNOLOGIES



Tecumseh's reciprocating compressors are the market standard, well-known for their reliability. Throughout the years, constant improvements have been made to improve product acoustic and reliability features. Now, more capacity is offered with a range of Semi-Hermetic compressors.

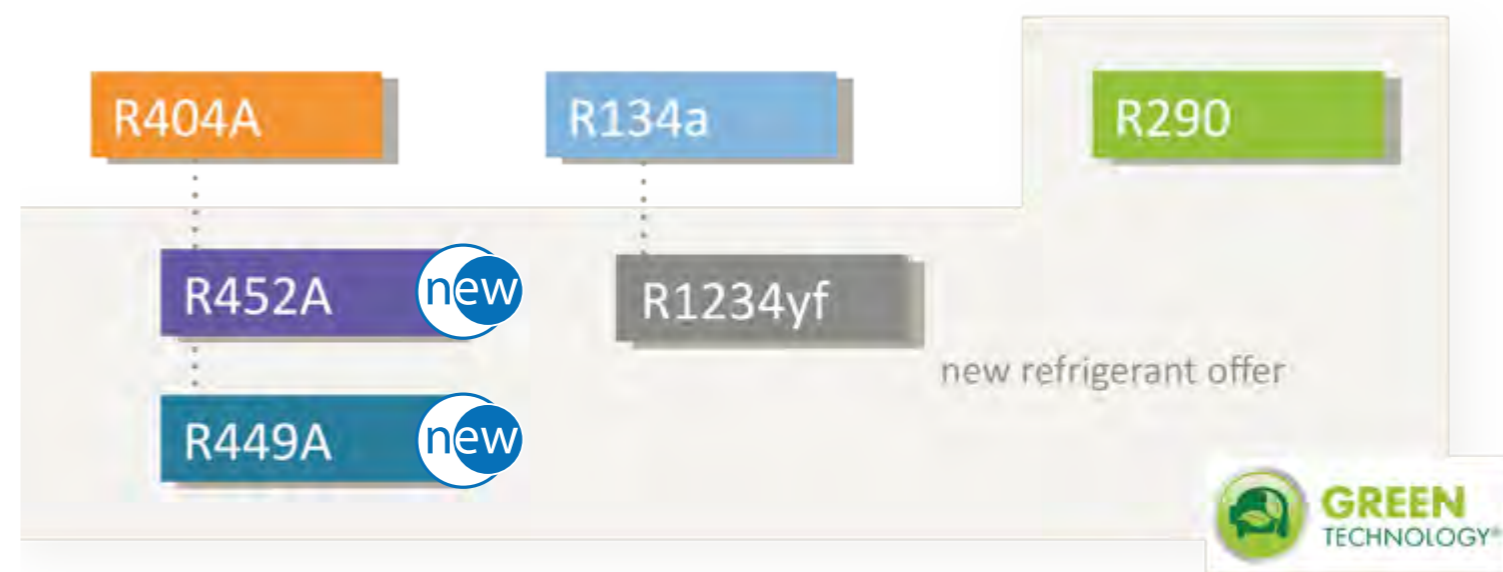


Rotary technology ensures optimal performance with small cooling capacities, allowing a significant reduction in energy consumption and a low noise level along with reduced overall dimensions.



Scroll technology offers high performance for medium and high cooling capacities, regardless of the operating speed, which allows a significant reduction in energy consumption. Suited to demanding applications, with a high resistance to slugging.

ENLARGED REFRIGERANT OFFER



Available Information



V4.0 Selection Software



Guidelines for using R449A and R452A



Product Catalogs



www.tecumseh.com

The Most Comprehensive Product Offering.

RANGE KEY FEATURES AND BENEFITS




TH

Dedicated to low cooling capacity commercial applications



SPECIFICATIONS
Evaporation ranges:
 High Back Pressure: -15 °C to +15 °C (5 °F to +59 °F)
 Low Back Pressure: -40 °C to -10 °C (-40 °F to +14 °F)
Refrigerants: R134a, R404A, R452A, R449A
Cooling capacity: from 80 to 650W (EN12900)






AE²

Next Generation High Efficiency Compressor 

SPECIFICATIONS
Evaporation ranges:
 High Back Pressure: -15 °C to +15 °C (5 °F to +59 °F)
 Low Back Pressure: -40 °C to -10 °C (-40 °F to +14 °F)
Refrigerants: R290, R1234yf, R134a, R404A, R452A, R449A
Cooling capacity: from 150 to 1 600W (EN12900)

AJ² 

Commercial Refrigeration Next Generation Compressor, highest standard for silence and reliability. More p. 8 

SPECIFICATIONS
Evaporation ranges:
 High Back Pressure: -15 °C to +15 °C (5 °F to +59 °F)
 Low Back Pressure: -40 °C to -10 °C (-40 °F to +14 °F)
Refrigerants: R290, R1234yf, R134a, R404A, R452A, R449A
Cooling capacity: from 380 to 4 700W (EN12900)




RG

The solution for High Efficiency applications

SPECIFICATIONS
Evaporation ranges:
 High Back Pressure: -15 °C to +15 °C (5 °F to +59 °F)
 Low Back Pressure: -40 °C to -10 °C (-40 °F to +14 °F)
Refrigerants: R290, R134a, R404A, R452A, R449A
Cooling capacity: from 330 to 2 400W (EN12900)




HG

The solution for High Efficiency applications with reduced size



SPECIFICATIONS
Evaporation ranges:
 High Back Pressure: -15 °C to +15 °C (5 °F to +59 °F)
 Low Back Pressure: -40 °C to -10 °C (-40 °F to +14 °F)
Refrigerants: R290, R134a, R404A, R452A, R449A
Cooling capacity: from 330 to 2 400W (EN12900)




VSC 

A High Efficiency solution for high cooling capacity

SPECIFICATIONS
Evaporation ranges:
 High Back Pressure: -15 °C to +15 °C (5 °F to +59 °F)
 Low Back Pressure: -40 °C to -10 °C (-40 °F to +14 °F)
Refrigerants: R134a, R404A, R452A, R449A
Cooling capacity: from 3 700 to 16 000W (EN12900)

FH

Bi-cylinder compressor renowned for its reliability in commercial refrigeration



SPECIFICATIONS
Evaporation ranges:
 High Back Pressure: -15 °C to +15 °C (5 °F to +59 °F)
 Low Back Pressure: -40 °C to -10 °C (-40 °F to +14 °F)
Refrigerants: R134a, R404A, R452A, R449A
Cooling capacity: from 1 100 to 8 500W (EN12900)




AG

Tri-cylinder compressor, high efficiency and reliability in - and + commercial refrigeration

SPECIFICATIONS
Evaporation ranges:
 High Back Pressure: -15 °C to +15 °C (5 °F to +59 °F)
 Low Back Pressure: -40 °C to -10 °C (-40 °F to +14 °F)
Refrigerants: R134a, R404A, R452A, R449A
Cooling capacity: from 1 700 to 17 000W (EN12900)

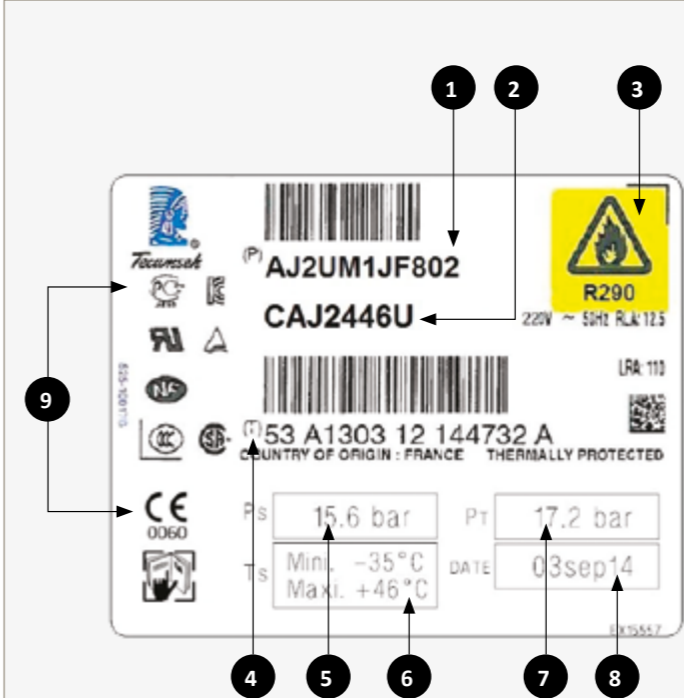



SH

Tecumseh's cooling capacity range offer tripled. Dedicated to + and - applications

SPECIFICATIONS
Evaporation ranges:
 High Back Pressure: -15 °C to +15 °C (5 °F to +59 °F)
 Low Back Pressure: -40 °C to -10 °C (-40 °F to +14 °F)
Refrigerants: R134a, R404A, R452A, R449A
Cooling capacity: from 3 000 to 42 000W (EN12900)

SERIAL LABEL



1 Bill of Material Number
2 Model Number
3 Appropriate Refrigerant
4 Serial Number

Applicable for models under Pressure Equipment Directive

5 Maximum Allowable Pressure
6 Minimum and Maximum Temperature
7 Test Pressure (1,1 x PS)
8 Test Date
9 Approvals

COMPRESSOR MODEL NOMENCLATURE

C	AJ	4	4	92	-	Y	FZ
Stator Definition	Compressor Family (First Two Digits)	Application	Digit Number	Cooling Capacity	Refrigerant	Voltage	

C	No letter single-phase low starting torque	C single-phase high starting torque	T three-phase
---	---	--	------------------

AJ	PRODUCT RANGE
----	---------------

4	Primary Application Parameters		
	Evap Temperature	Rating Point	Motor Starting Torque
1. Low	-23,3°C T evap. / +54,5°C T cond. / +32°C RG / +32°C Liquid	Normal	
2. Low	-23,3°C T evap. / +54,5°C T cond. / +32°C RG / +32°C Liquid	High	
3. High	+7,2°C T evap. / +54,5°C T cond. / +35°C RG / +35°C Liquid	Normal	
4. High	+7,2°C T evap. / +54,5°C T cond. / +35°C RG / +35°C Liquid	High	
5. Air Cond	+7,2°C T evap. / +54,5°C T cond. / +35°C RG / +35°C Liquid	Normal	
9. Commercial - AJ ²	+7,2°C T evap. / +54,5°C T cond. / +35°C RG / +35°C Liquid	High	
9. Commercial - VSC	-6,7°C T evap. / +48,9°C T cond. / +4,4°C RG / +48,9°C Liquid	High	

4	Number of digits composing the cooling capacity
---	---

92	Corresponding to the two first figures of the cooling capacity expressed in BTU/h. In this example total digits 4, with cooling capacity 92 means 9200 BTU/h at 60 Hz
----	---

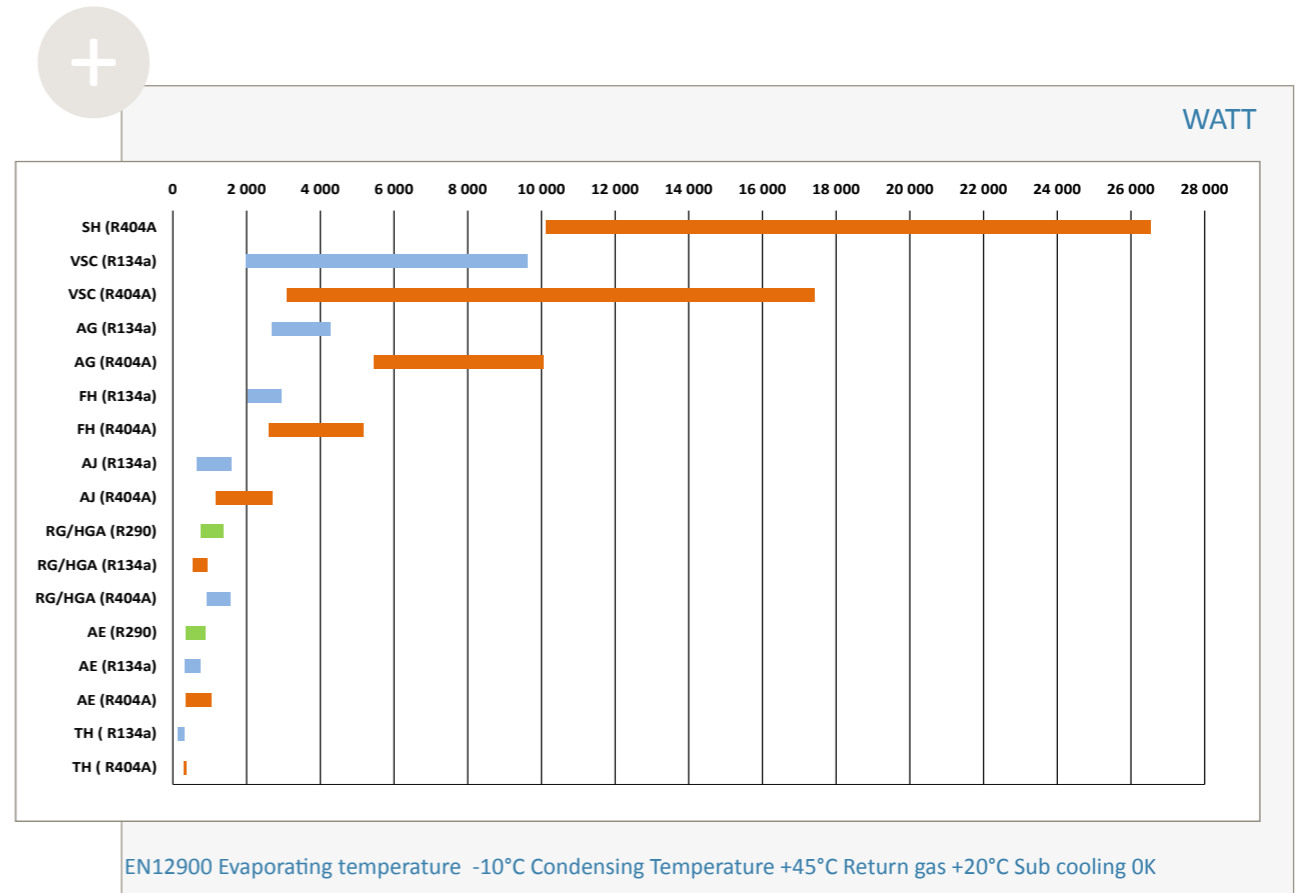
Y	Primary Refrigerants
A = R12	
C = R407C	
E/T = R22	
H = R1234yf	
N = R134a/R1234yf	
U = R290	
Y = R134a	
Z = R404A/R507/R452A/R449A*	

*for multi refrigerant models VSC and SH, Z letter includes R134a refrigerant

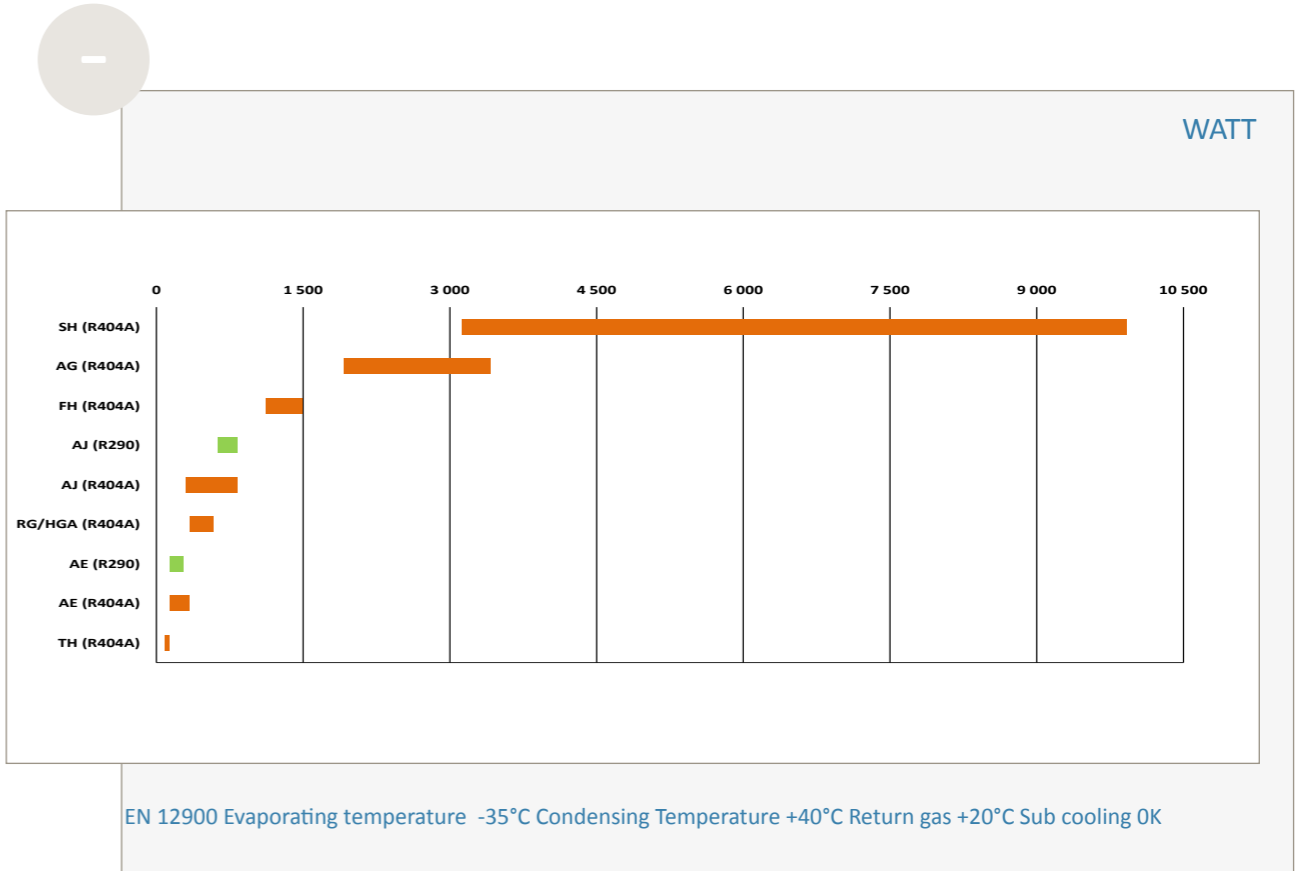
FZ	Approved Voltage
AA	115V 1~ 60Hz
CZ	208V 1~ 50 Hz / 230V 1~ 60 Hz
ES	220V 1~ 60 Hz
FS	220V 1~ 50 Hz
FZ	220 - 240V 1~ 50 Hz
GS	220V 1~ 50Hz / 220V 1~ 60 Hz
GZ	208 - 220V 1~ 50 Hz
HZ	208 - 220V 1~ 60 Hz
KZ	220V 3~ 50Hz / 220V 3~ 60 Hz
MZ	380-420V 3~ 50Hz / 440-480V 3~ 60 Hz
QZ	200V 3~ 50Hz / 200V 3~ 60 Hz
TZ	400V 3~ 50Hz / 440V 3~ 60 Hz
WZ	208-230V 1~ 50Hz / 220-230V 1~ 60Hz
XA	100V 1~ 50Hz / 115V 1~ 60Hz
XG	380-420V 3~ 50Hz / 460V 3~ 60 Hz
XU	100V 1~ 50Hz / 100V 1~ 60Hz
XZ	115V -40Hz / 230V - 80Hz 3~
YZ	380-420V 3~ 50Hz / 440-480V 3~ 60 Hz

NOTE: For explanation of compressor families and codes, please contact Tecumseh

POSITIVE APPLICATION COOLING CAPACITY



NEGATIVE APPLICATION COOLING CAPACITY





Built for Today. Ready for Tomorrow.

IMPROVED EFFICIENCY. QUIET OPERATION. ECO-FRIENDLY.

SAFE AND EASY ELECTRICAL CONNECTION
Reduced installation time

COMPACTNESS
Reduced height for most of the range

ECO-FRIENDLY
Designed for optimum performance with "green" refrigerants HC : R290 and HFO : R1234yf

PERFORMANCE
Re-designed valve plate and refrigerant gas handling result in improved compressor efficiency.

LOW NOISE
Re-designed valve plate and refrigerant gas handling result in improved compressor efficiency (for R-290 model).

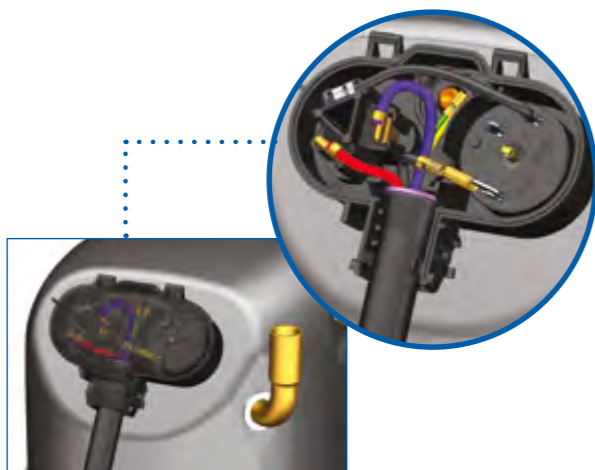


OPTIMIZED FOR HFO & HC REFRIGERANTS

VERSATILE
A variety of suction and discharge connection diameters and types (valve or tube) are offered to facilitate easy installation and serviceability.

PROVEN RELIABILITY
Over 20 million AJ compressors currently in operation in normal to severe duty applications.

CONNECTION IN LESS THAN 2 SECONDS UNIQUE IN THE MARKET



- ▶ **Safe and Secure Connection**
 - Wiring errors eliminated during installation
 - Electrical insulation required for HC refrigerants
 - Earth ground integrated : easy wiring
- ▶ **Quick and Easy Connection**
 - Connect compressor wiring in less than 2 seconds
 - Compressor ready for use as soon as Te-Connect is wired
 - Internal protector on three phases model

USEFUL TOOLS THROUGHOUT PRODUCT LIFE CYCLE



DISCOVER

Our Videos introducing compressor key features and benefits available on [TecumsehHQ](https://www.youtube.com/channel/UCmumseh) YouTube channel



SELECT

Selection Software 4.0 version



- Performances and polynomial data for R449A and R452A
- Model number selection using bubble or mid temperature
- New model number notification

R452A
R449A



www.tecumseh.com



MAINTAIN

Spare part Mobile App to identify compressor replacement parts



REPLACE

Obsolete refrigerant? A Tecumseh model to replace a competitor's one? Cross ref software will help you



www.tecumseh.com



POSITIVE REFRIGERATION - HBP

50 Hz

Model Number	Displacement cm ³	Motor Type	Cooling Capacity (Watt) +45°C condensing T°, 3K sub-cooling, 10K superheating								Evaporating T°C -10°C		Tube Connections			Available Voltages	Weight Kg	Height mm (H)	Model Number
			Evaporating T°C								P input (Watt)	COP (W/W)	Suction (mm/inches)	Discharge (mm/inches)	Process (mm/inches)				
			-15°C	-10°C	-5°C	0°C	5°C	10°C	15°C										



at +20°C Return Gas

R290



AE4425U	5.02	CSIR	257	331	418	520	639	777	938	195	1.70		6.35 - 1/4"	4.76 - 3/16"	6.35 - 1/4"	FZ	10	200	AE4425U
AE4430U	6.12	CSIR	308	397	501	622	763	926	1116	239	1.66		6.35 - 1/4"	4.76 - 3/16"	6.35 - 1/4"	FZ	10.1	200	AE4430U
AE4440U	8.02	CSIR	416	525	654	807	986	1196	1441	322	1.63		9.5 - 3/8"	6.35 - 1/4"	6.35 - 1/4"	FZ	10.2	210	AE4440U
AE4450U	10.33	CSIR	565	709	879	1080	1316	1593	1916	421	1.68		9.5 - 3/8"	6.35 - 1/4"	6.35 - 1/4"	FZ	10.5	210	AE4450U
AE4460U	12.01	CSIR	592	765	968	1207	1488	1816	2197	478	1.60		9.5 - 3/8"	6.35 - 1/4"	6.35 - 1/4"	FZ	11.2	210	AE4460U

ASERCOM Certified

ASERCOM Certified

ASERCOM Certified

ASERCOM Certified



HGA4467U	9.5	CSR	585	728	893	1085	1309	1568	1868	345	2.11		9.5 - 3/8"	7.9 - 5/16"	-	FZ	12	163	HGA4467U
HGA4492U	12.75	CSR	789	980	1202	1462	1765	2117	2525	455	2.15		12.7 - 1/2"	7.9 - 5/16"	-	FZ	12.5	163	HGA4492U
HGA4512U	16.12	CSR	1023	1263	1544	1873	2256	2702	3219	585	2.16		12.7 - 1/2"	7.9 - 5/16"	-	FZ	13.2	163	HGA4512U

ASERCOM Certified

ASERCOM Certified

ASERCOM Certified

Model Number	Displacement cm ³	Motor Type	Cooling Capacity (Watt) +45°C condensing T°, 3K sub-cooling, 10K superheating								Evaporating T°C -10°C		Tube Connections			Available Voltages	Weight Kg	Height mm (H)	Model Number
			Evaporating T°C								P input (Watt)	COP (W/W)	Suction (mm/inches)	Discharge (mm/inches)	Process (mm/inches)				
			-15°C	-10°C	-5°C	0°C	5°C	10°C	15°C										

R1234yf



AE4430H	8.02	CSIR	276	361	465	589	738	916	1127	252	1.43		6.35 - 1/4"	4.76 - 3/16"	6.35 - 1/4"	FZ	9.4	200	AE4430H
AE4440H	10.33	CSIR	358	466	594	747	927	1140	1391	280	1.66		7.9 - 5/16"	6.35 - 1/4"	6.35 - 1/4"	FZ	9.6	200	AE4440H
CAJ/TAJ 4492N	25.9	CSIR / TRI	790	1075	1408	1799	2260	2801	3436	701	1.53	NEW	12.7 - 1/2"	7.9 - 5/16"	6.35 - 1/4"	FZ*, TZ	20	280	CAJ/TAJ 4492N
CAJ/TAJ 4511N	32.7	CSR / TRI	1038	1377	1777	2249	2801	3445	4191	798	1.73	NEW	15.9 - 5/8"	7.9 - 5/16"	6.35 - 1/4"	FZ*, TZ	22	280	CAJ/TAJ 4511N
CAJ4513N	34.45	CSR	1083	1427	1835	2319	2892	3567	4359	857	1.67	NEW	15.9 - 5/8"	7.9 - 5/16"	6.35 - 1/4"	FZ	22	280	CAJ4513N

ASERCOM Certified

ASERCOM Certified

*ASERCOM Certified

*ASERCOM Certified

ASERCOM Certified

ASERCOM COMPRESSOR CERTIFICATION PROGRAM



"Using common test methods, products certified by ASERCOM provide reliable performance data which are presented in a comparable manner to optimize product comparison and selection".

www.asercom.org/asercom-activities



POSITIVE REFRIGERATION - HBP



+ POSITIVE REFRIGERATION - HBP

50 Hz

Model Number	Displacement cm ³	Motor Type	Cooling Capacity (Watt) +45°C condensing T°, 3K sub-cooling, 10K super-heating							Evaporating T°C -10°C		Tube Connections			Available Voltages	Weight Kg	Height mm (H)	Model Number
			Evaporating T°C							P input (Watt)	COP (W/W)	Suction (mm/inches)	Discharge (mm/inches)	Process (mm/inches)				
			-15°C	-10°C	-5°C	0°C	5°C	10°C	15°C									



at +20°C Return Gas

R134a



THB4410Y	2.72	CSIR	89	118	153	197	249	312	387	84	1.40		6.35 - 1/4"	4.76 - 3/16"	6.35 - 1/4"	XA, FZ*	7	169	THB4410Y	*ASERCOM Certified
THB4413Y	3.6	CSIR	105	140	183	234	296	370	458	109	1.28		6.35 - 1/4"	4.76 - 3/16"	6.35 - 1/4"	XA, FZ*	7.5	169	THB4413Y	*ASERCOM Certified
THB4415Y	4.23	CSIR	131	174	227	289	361	445	541	126	1.38		6.35 - 1/4"	4.76 - 3/16"	6.35 - 1/4"	XA, FZ*, WZ	7.5	169	THB4415Y	*ASERCOM Certified
THB4419Y	5	CSIR	146	196	255	327	413	514	633	153	1.28		6.35 - 1/4"	4.76 - 3/16"	6.35 - 1/4"	XA, FZ*	7.8	172	THB4419Y	*ASERCOM Certified
THB4422Y	5.9	CSIR	193	253	324	409	510	628	766	182	1.39		6.35 - 1/4"	4.76 - 3/16"	6.35 - 1/4"	XA, CZ, FZ*, GZ	8	172	THB4422Y	*ASERCOM Certified
AE4425Y	6.69	CSIR	201	278	370	478	606	756	932	192	1.45		6.35 - 1/4"	4.76 - 3/16"	6.35 - 1/4"	FZ*, AA, GS	9.1	199	AE4425Y	*ASERCOM Certified
AE4430Y	8.02	CSIR	275	365	475	608	768	959	1183	237	1.54		6.35 - 1/4"	4.76 - 3/16"	6.35 - 1/4"	FZ*, AA, GS	9.4	199	AE4430Y	*ASERCOM Certified
AE4440Y	10.33	CSIR	374	486	621	784	980	1213	1488	302	1.61		7.9 - 5/16"	6.35 - 1/4"	6.35 - 1/4"	FZ*, AA, GS	9.6	199	AE4440Y	*ASERCOM Certified
AE4450Y	13.24	CSIR	493	642	821	1034	1288	1587	1939	370	1.74		9.5 - 3/8"	6.35 - 1/4"	6.35 - 1/4"	FZ, AA, ES,FS, GS	10.5	210	AE4450Y	
AE4456Y	14.51	CSIR	542	704	897	1125	1396	1715	2090	424	1.66		9.5 - 3/8"	6.35 - 1/4"	6.35 - 1/4"	FZ*, AA, GS	11	210	AE4456Y	*ASERCOM Certified
AE4460Y	15.09	CSR	560	732	934	1172	1453	1785	2174	409	1.79		9.5 - 3/8"	6.35 - 1/4"	6.35 - 1/4"	FZ*, AA, GS	11.3	210	AE4460Y	*ASERCOM Certified
AE4460Y	15.09	CSIR	546	711	905	1134	1402	1717	2085	437	1.63	NEW	9.5 - 3/8"	6.35 - 1/4"	6.35 - 1/4"	FZ	11.3	210	AE4460Y	
CAJ/TAJ 4452Y	15.2	CSIR / TRI	415	580	778	1018	1308	1656	2070	399	1.45		12.7 - 1/2"	6.35 - 1/4"	6.35 - 1/4"	XA, FZ, GZ, TZ	18	268	CAJ/TAJ 4452Y	
CAJ/TAJ 4461Y	18.3	CSIR / TRI	538	723	952	1234	1578	1993	2490	472	1.53		12.7 - 1/2"	6.35 - 1/4"	6.35 - 1/4"	XA, CZ, FZ*, GZ, XU, WZ, TZ	19	268	CAJ/TAJ 4461Y	*ASERCOM Certified
CAJ/TAJ 4476Y	22.8	CSIR / TRI	611	848	1133	1473	1878	2357	2920	557	1.52		12.7 - 1/2"	6.35 - 1/4"	6.35 - 1/4"	XA, CZ, FZ*, GZ, WZ, KZ	19.5	280	CAJ/TAJ 4476Y	*ASERCOM Certified
CAJ/TAJ 4492Y	25.9	CSIR / TRI	774	1065	1415	1833	2333	2928	3620	649	1.64		12.7 - 1/2"	7.9 - 5/16"	6.35 - 1/4"	XA, CZ, FZ*, GZ, QZ, TZ	20	280	CAJ/TAJ 4492Y	*ASERCOM Certified
CAJ/TAJ 4511Y	32.7	CSR / TRI	1064	1429	1864	2380	2990	3709	4552	766	1.87		15.9 - 5/8"	7.9 - 5/16"	6.35 - 1/4"	CZ, FZ*, GZ, QZ, TZ	22	280	CAJ/TAJ 4511Y	*ASERCOM Certified
CAJ4513Y	34.45	CSR	1138	1520	1975	2515	3154	3908	4790	844	1.80		15.9 - 5/8"	7.9 - 5/16"	6.35 - 1/4"	FZ	22	280	CAJ4513Y	ASERCOM Certified
FH/TFH 4518Y	53.2	CSR / TRI	1302	1894	2610	3473	4504	5727	7167	1147	1.65		15.9 - 5/8"	12.7 - 1/2"	7.9 - 5/16"	FZ, GZ, TZ, KZ	30	330	FH/TFH 4518Y	
FH/TFH 4525Y	74.25	CSR / TRI	2093	2901	3874	5040	6432	8082	10023	1550	1.87		15.9 - 5/8"	12.7 - 1/2"	7.9 - 5/16"	FZ, GZ, TZ, KZ	31	354	FH/TFH 4525Y	
TFH-TR4554Y	160	TRI	3906	5682	7830	10419	13512	17181	21501	3441	1.65		22.2 - 7/8"	19 - 3/4"	7.9 - 5/16"	TZ	142	794	TFH-TR4554Y	
TFH-TR4575Y	223	TRI	6279	8703	11622	15120	19296	24246	30069	4650	1.87		22.2 - 7/8"	19 - 3/4"	7.9 - 5/16"	TZ	142	794	TFH-TR4575Y	
TAG4528Y	90.2	TRI	1655	2557	3709	5113	6769	8677	10838	1442	1.77		22.2 - 7/8"	15.9 - 5/8"	6.35 - 1/4"	KZ, TZ	44	368	TAG4528Y	
TAG4534Y	100.7	TRI	2355	3388	4695	6277	8134	10267	12676	1727	1.96		22.2 - 7/8"	15.9 - 5/8"	6.35 - 1/4"	KZ, TZ*	44	368	TAG4534Y	*ASERCOM Certified
TAG4537Y	112.5	TRI	2760	3904	5358	7124	9203	11594	14299	1951	2.00		22.2 - 7/8"	15.9 - 5/8"	6.35 - 1/4"	KZ, TZ*	44	368	TAG4537Y	*ASERCOM Certified
TAG4543Y	124.4	TRI	2903	4063	5607	7534	9847	12546	15631	2080	1.95		22.2 - 7/8"	15.9 - 5/8"	6.35 - 1/4"	KZ, TZ	45	368	TAG4543Y	
TAG4547Y	135	TRI	3358	4722	6374	8368	10761	13614	16990	2554	1.85		22.2 - 7/8"	15.9 - 5/8"	6.35 - 1/4"	TZ	45	368	TAG4547Y	
TAGD4556Y	180.4	TRI	3310	5114	7418	10226	13538	17354	21676	2884	1.77		28.6 - 1" 1/8	15.9 - 5/8"	6.35 - 1/4"	TZ, KZ	96	560	TAGD4556Y	
TAGD4568Y	201.4	TRI	4710	6776	9390	12554	16268	20534	25352	3454	1.96		28.6 - 1" 1/8	15.9 - 5/8"	6.35 - 1/4"	TZ	96	560	TAGD4568Y	
TAGD4574Y	225	TRI	5520	7808	10716	14248	18406	23188	28598	3902	2.00		28.6 - 1" 1/8	15.9 - 5/8"	6.35 - 1/4"	TZ	96	560	TAGD4574Y	
TAGD4586Y	248.8	TRI	5806	8126	11214	15068	19694	25092	31262	4160	1.95		28.6 - 1" 1/8	15.9 - 5/8"	6.35 - 1/4"	TZ	96	560	TAGD4586Y	
TAG-TR4584Y	270.6	TRI	4965	7671	11127	15339	20307	26031	32514	4326	1.77		28.6 - 1" 1/8	22.2 - 7/8"	6.35 - 1/4"	TZ	185	820	TAG-TR4584Y	
TAG-TR4610Y	302.1	TRI	7065	10164	14085	18831	24402	30801	38028	5181	1.96		28.6 - 1" 1/8	22.2 - 7/8"	6.35 - 1/4"	TZ	185	820	TAG-TR4610Y	
TAG-TR4611Y	337.5	TRI	8280	11712	16074	21372	27609	34782	42897	5853	2.00		34.9 - 1" 3/8	22.2 - 7/8"	6.35 - 1/4"	TZ	186	820	TAG-TR4611Y	
TAG-TR4613Y	373.2	TRI	8709	12189	16821	22602	29541	37638	46893	6240	1.95		34.9 - 1" 3/8	22.2 - 7/8"	6.35 - 1/4"	TZ	186	820	TAG-TR4613Y	





POSITIVE REFRIGERATION - HBP / CBP

50 Hz

Model Number	Displacement cm ³	Motor Type	Cooling Capacity (Watt) +45°C condensing T°, 3K sub-cooling, 10K super-heating								Evaporating T°C -10°C		Tube Connections			Available Voltages	Weight Kg	Height mm (H)	Model Number
			Evaporating T°C								P input (Watt)	COP (W/W)	Suction (mm/inches)	Discharge (mm/inches)	Process (mm/inches)				
			-15°C	-10°C	-5°C	0°C	5°C	10°C	15°C										



at +20°C Return Gas

R134a



RGA/HGA4445Y	9.5	CSIR	399	507	638	796	986	1214	1484	290	1.75		9.5 - 3/8"	7.9 - 5/16"	-	XA, CZ, FZ*	11	266 / 163	RGA/HGA4445Y
RGA/HGA4450Y	11.5	CSIR	480	610	770	964	1197	1476	1807	336	1.82		9.5 - 3/8"	7.9 - 5/16"	-	XA, CZ, FZ*	11	276 / 163	RGA/HGA4450Y
RGA/HGA4460Y	12.8	CSIR	527	673	854	1076	1347	1675	2067	358	1.88		12.7 - 1/2"	7.9 - 5/16"	-	XA, CZ, FZ*	12	276 / 163	RGA/HGA4460Y
RGA/HGA4476Y	16.1	CSIR	698	889	1119	1396	1727	2119	2582	461	1.93		12.7 - 1/2"	7.9 - 5/16"	-	XA, CZ, FZ*	12,5	282 / 163	RGA/HGA4476Y

*ASERCOM Certified
*ASERCOM Certified
*ASERCOM Certified
*ASERCOM Certified

R134a

Multi refrigerant models - VSC SCROLL



VSC9515Z	33.8	CSR / TRI	1555	1978	2488	3096	3811	4641	5595	1000	1.85	NEW	19 - 3/4"	12.7 - 1/2"	-	XG , FZ	31	411	VSC9515Z
VSC9519Z	43.5	CSR / TRI	2008	2547	3205	3990	4912	5981	7207	1317	1.85	NEW	19 - 3/4"	12.7 - 1/2"	-	XG , FZ	31	411	VSC9519Z
VSC9521Z	46.2	CSR / TRI	2132	2705	3404	4238	5217	6353	7655	1390	1.88	NEW	19 - 3/4"	12.7 - 1/2"	-	XG , FZ	31	411	VSC9521Z
VSC9526Z	57.1	CSR / TRI	2599	3334	4210	5243	6451	7853	9465	1628	2.01	NEW	19 - 3/4"	12.7 - 1/2"	-	XG , FZ	31	411	VSC9526Z
VSC9530Z	68.8	CSR / TRI	3166	4028	5071	6312	7770	9463	11409	1935	1.96	NEW	22.2 - 7/8"	12.7 - 1/2"	-	XG , FZ	37	455	VSC9530Z
VSC9538Z	81	CSR / TRI	3666	4721	5968	7432	9141	11119	13391	2333	2.02	NEW	22.2 - 7/8"	12.7 - 1/2"	-	XG , FZ	37	455	VSC9538Z
VSC9545Z	98.6	TRI	4601	5847	7393	9240	11386	13830	16571	2708	2.16	NEW	22.2 - 7/8"	12.7 - 1/2"	-	XG	37	455	VSC9545Z
VSC9548Z	107.5	TRI	4865	6206	7842	9780	12029	14595	17487	2917	2.13	NEW	22.2 - 7/8"	12.7 - 1/2"	-	XG	37	455	VSC9548Z
VSC9558Z	126	TRI	5747	7404	9337	11580	14171	17145	20539	3614	2.05	NEW	28.6 - 1" 1/8	19 - 3/4"	-	XG	44	536	VSC9558Z
VSC9566Z	148.8	TRI	6746	8615	10840	13448	16468	19929	23858	4112	2.10	NEW	34.9 - 1" 3/8	19 - 3/4"	-	XG	45	536	VSC9566Z
VSC9576Z	162.4	TRI	7534	9610	12091	15007	18391	22276	26691	4686	2.05	NEW	34.9 - 1" 3/8	19 - 3/4"	-	XG	45	536	VSC9576Z

R134a

Multi refrigerant models - SEMI-HERMETIC (SH)



SH4576Z	243	TRI	4333	5790	7550	9650	12110	14960	16989	2443	2.37		28.6 - 1" 1/8	15.9 - 5/8"	-	YZ	79	293	SH4576Z
SH4591Z	283	TRI	6220	7910	9900	12220	14940	18090	20497	3192	2.48		28.6 - 1" 1/8	15.9 - 5/8"	-	YZ	79	293	SH4591Z
SH4610Z	322	TRI	6150	8010	10250	12910	16030	19660	23548	3504	2.29		34.9 - 1" 3/8	15.9 - 5/8"	-	YZ	79	297	SH4610Z
SH4612Z	375	TRI	7450	9660	12260	15320	18870	22950	27243	4237	2.28		34.9 - 1" 3/8	15.9 - 5/8"	-	YZ	79	297	SH4612Z
SH4615Z	475	TRI	9370	12240	15640	19600	24180	29420	34194	4560	2.68		41.3 - 1" 5/8	22.2 - 7/8"	-	MZ	120	363	SH4615Z
SH4620Z	591	TRI	12430	15900	19970	24740	30310	36770	44070	6045	2.63		41.3 - 1" 5/8	22.2 - 7/8"	-	MZ	126	363	SH4620Z





POSITIVE REFRIGERATION - HBP / CBP

50 Hz

Model Number	Displacement cm ³	Motor Type	Cooling Capacity (Watt) +45°C condensing T°, 3K sub-cooling, 10K super-heating							Evaporating T°C -10°C		Tube Connections			Available Voltages	Weight Kg	Height mm (H)	Model Number
			Evaporating T°C							P input (Watt)	COP (W/W)	Suction (mm/inches)	Discharge (mm/inches)	Process (mm/inches)				
			-15°C	-10°C	-5°C	0°C	5°C	10°C	15°C									



at +20°C Return Gas

R404A



RG/HGA 4467Z	9.5	CSR	682	853	1055	1295	1580	1917	2315	463	1.84		9.5 - 3/8"	7.9 - 5/16"	-	XA, CZ, FZ	12.5	266 / 163	RG/HGA 4467Z
RG/HGA 4480Z	11.5	CSR	822	1025	1266	1552	1892	2294	2771	551	1.86		9.5 - 3/8"	7.9 - 5/16"	-	XA, CZ, FZ*	12.5	276 / 163	RG/HGA 4480Z
RG/HGA 4492Z	12.8	CSR	938	1170	1445	1772	2161	2622	3169	613	1.91		12.7 - 1/2"	7.9 - 5/16"	-	XA, CZ, FZ*	12.8	276 / 163	RG/HGA 4492Z
RG/HGA 4512Z	16.1	CSR	1158	1448	1791	2197	2680	3251	3925	781	1.85		12.7 - 1/2"	7.9 - 5/16"	-	XA, CZ, FZ*	13.3	282 / 163	RG/HGA 4512Z

*ASERCOM Certified
*ASERCOM Certified
*ASERCOM Certified

R404A

Multi refrigerant models - VSC SCROLL



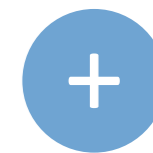
VSC9515Z	33.8	CSR / TRI	2453	3082	3807	4646	5619	6742	8063	1751	1.85	NEW	19 - 3/4"	12.7 - 1/2"	-	XG, FZ	31	411	VSC9515Z
VSC9519Z	43.5	CSR / TRI	3370	4154	5071	6149	7414	8890	10632	2155	1.85	NEW	19 - 3/4"	12.7 - 1/2"	-	XG, FZ	31	411	VSC9519Z
VSC9521Z	46.2	CSR / TRI	3572	4721	5385	6533	7877	9440	11290	2274	1.88	NEW	19 - 3/4"	12.7 - 1/2"	-	XG, FZ	31	411	VSC9521Z
VSC9526Z	57.1	CSR / TRI	4371	5798	6646	8103	9810	11791	14102	2902	2.01	NEW	19 - 3/4"	12.7 - 1/2"	-	XG, FZ	31	411	VSC9526Z
VSC9530Z	68.8	CSR / TRI	5317	7074	8116	9888	11946	14318	17124	3353	1.96	NEW	22.2 - 7/8"	12.7 - 1/2"	-	XG, FZ	37	455	VSC9530Z
VSC9538Z	81	CSR / TRI	6376	8447	9656	11725	14125	16886	20196	3855	2.19	NEW	22.2 - 7/8"	12.7 - 1/2"	-	XG, FZ	37	455	VSC9538Z
VSC9545Z	98.6	TRI	7668	10161	11623	14121	17007	20310	24291	4812	2.11	NEW	22.2 - 7/8"	12.7 - 1/2"	-	XG	37	455	VSC9545Z
VSC9548Z	107.5	TRI	8394	11091	12652	15359	18540	22254	26616	5171	2.14	NEW	22.2 - 7/8"	12.7 - 1/2"	-	XG	37	455	VSC9548Z
VSC9558Z	126	TRI	9632	12978	14970	18251	22001	26260	31407	6080	2.13	NEW	28.6 - 1" 1/8	19 - 3/4"	-	XG	44	536	VSC9558Z
VSC9566Z	148.8	TRI	11229	15062	17382	21266	25774	30963	37032	7009	2.15	NEW	34.9 - 1" 3/8	19 - 3/4"	-	XG	45	536	VSC9566Z
VSC9576Z	162.4	TRI	13254	17317	19636	23798	28767	34661	41455	7927	2.18	NEW	34.9 - 1" 3/8	19 - 3/4"	-	XG	45	536	VSC9576Z

R404A

Multi refrigerant models - SEMI-HERMETIC (SH)



SH4576Z	243	TRI	7799	9933	12404	15247	18498	22186	26333	4663	2.13		28.6 - 1" 1/8	15.9 - 5/8"	-	YZ	79	293	SH4576Z
SH4591Z	283	TRI	9314	11766	14663	18062	22016	26573	31771	5656	2.08		28.6 - 1" 1/8	15.9 - 5/8"	-	YZ	79	293	SH4591Z
SH4610Z	322	TRI	10960	13780	17097	20972	25464	30626	36500	6607	2.09		34.9 - 1" 3/8	15.9 - 5/8"	-	YZ	79	297	SH4610Z
SH4612Z	375	TRI	12665	15907	19729	24206	29408	35398	42227	7657	2.08		34.9 - 1" 3/8	15.9 - 5/8"	-	YZ	79	297	SH4612Z
SH4615Z	475	TRI	15197	19362	24281	30035	36697	44336	53000	8713	2.22		41.3 - 1" 5/8	22.2 - 7/8"	-	MZ	120	363	SH4615Z
SH4620Z	591	TRI	20890	26012	32039	39131	47444	57128	68309	11748	2.21		41.3 - 1" 5/8	22.2 - 7/8"	-	MZ	126	363	SH4620Z



+ POSITIVE REFRIGERATION - HBP / MHBP

R452A

Model Number	Displacement cm ³	Motor Type	Cooling Capacity (Watt) +45°C condensing T°, 3K sub-cooling, 10K superheating, Dew/Dew							Evaporating T°C -10°C		Tube Connections			Available Voltages	Weight Kg	Height mm (H)	Model Number
			Evaporating T°C							P input (Watt)	COP (W/W)	Suction (mm/inches)	Discharge (mm/inches)	Process (mm/inches)				
			-15°C	-10°C	-5°C	0°C	5°C	10°C	15°C									

R452A



THB4428Z	5.2	CSIR	284	364	459	572	706	865	1053	313	1.16	NEW	6.35 - 1/4"	4.76 - 3/16"	6.35 - 1/4"	FZ	8.2	172	THB4428Z
AE4425Z	4.24	CSIR	225	296	383	489	618	773	960	209	1.42	NEW	6.35 - 1/4"	4.76 - 3/16"	6.35 - 1/4"	FZ, AA, GS	10	200	AE4425Z
AE4430Z	5.16	CSIR	281	366	470	595	745	926	1141	251	1.46	NEW	6.35 - 1/4"	4.76 - 3/16"	6.35 - 1/4"	FZ, AA, GS	10	200	AE4430Z
AE4440Z	6.69	CSIR	379	495	635	804	1007	1250	1540	321	1.54	NEW	9.5 - 3/8"	6.35 - 1/4"	6.35 - 1/4"	FZ, AA, GS	10.2	210	AE4440Z
AE4450Z	8.85	CSIR	504	654	832	1045	1298	1599	1956	420	1.89	NEW	9.5 - 3/8"	6.35 - 1/4"	6.35 - 1/4"	FZ, AA, ES, FS, GS	10.5	210	AE4450Z
AE4460Z	10.33	CSIR	624	794	998	1241	1531	1876	2285	494	1.90	NEW	9.5 - 3/8"	6.35 - 1/4"	6.35 - 1/4"	FZ, AA, GS	11	210	AE4460Z
AE4470Z	12.01	CSR	739	939	1176	1455	1786	2177	2641	584	1.61	NEW	9.5 - 3/8"	6.35 - 1/4"	6.35 - 1/4"	FZ, AA, ES, FS	11.2	210	AE4470Z
CAJ/TAJ9480Z	15.2	CSR / TRI	806	1052	1348	1705	2132	2643	3252	653	1.61	NEW	12.7 - 1/2"	7.9 - 5/16"	6.35 - 1/4"	XA, FZ, GZ, TZ	20.8	268	CAJ/TAJ9480Z
CAJ/TAJ9510Z	18.3	CSR / TRI	1014	1318	1686	2128	2658	3291	4047	796	1.66	NEW	15.9 - 5/8"	7.9 - 5/16"	6.35 - 1/4"	XA, FZ, GZ, TZ	21.5	280	CAJ/TAJ9510Z
CAJ/TAJ9513Z	24.2	CSR / TRI	1246	1657	2152	2744	3447	4281	5265	934	1.77	NEW	15.9 - 5/8"	7.9 - 5/16"	6.35 - 1/4"	XA, FZ, GZ, TZ	22	280	CAJ/TAJ9513Z
CAJ/TAJ4517Z	25.95	CSR / TRI	1444	1878	2398	3021	3764	4650	5701	1058	1.77	NEW	15.9 - 5/8"	9.5 - 3/8"	6.35 - 1/4"	FZ, GZ, KZ, TZ	23	280	CAJ/TAJ4517Z
CAJ/TAJ4519Z	34.45	CSR / TRI	1865	2450	3141	3961	4932	6083	7442	1504	1.63	NEW	15.9 - 5/8"	9.5 - 3/8"	6.35 - 1/4"	FZ, GZ, KZ, TZ	23	280	CAJ/TAJ4519Z
FH/TFH 4522Z	39.9	CSR / TRI	1767	2416	3198	4141	5272	6624	8232	1456	1.66	NEW	15.9 - 5/8"	12.7 - 1/2"	7.9 - 5/16"	FZ, KZ, TZ	29	354	FH/TFH 4522Z
FH/TFH 4524Z	43.5	CSR / TRI	2014	2766	3656	4704	5931	7361	9021	1643	1.68	NEW	15.9 - 5/8"	12.7 - 1/2"	7.9 - 5/16"	FZ, GZ, KZ, TZ	29.3	354	FH/TFH 4524Z
FH/TFH 4531Z	56.6	CSR / TRI	2676	3601	4691	5978	7500	9297	11418	2027	1.78	NEW	22.2 - 7/8"	12.7 - 1/2"	7.9 - 5/16"	FZ, GZ, KZ, TZ	31	370	FH/TFH 4531Z
FH/TFH 4540Z	74.2	CSR / TRI	3541	4694	6050	7651	9542	11775	14407	2726	2.32	NEW	22.2 - 7/8"	12.7 - 1/2"	7.9 - 5/16"	FZ, GZ, KZ, TZ	32.8	370	FH/TFH 4540Z
TFHD4544Z	79.8	TRI	3535	4831	6396	8282	10544	13247	16465	2913	1.66	NEW	22.2 - 7/8"	19 - 3/4"	7.9 - 5/16"	KZ	67	460	TFHD4544Z
FH / TFHD4548Z	87	CSR / TRI	4028	5531	7312	9408	11862	14722	18043	3287	1.68	NEW	22.2 - 7/8"	19 - 3/4"	7.9 - 5/16"	FZ, TZ	68	460	FH / TFHD4548Z
FH /TFHD4562Z	113.2	CSR / TRI	5351	7202	9382	11957	15000	18595	22837	4054	1.78	NEW	28.6 - 1"1/8	19 - 3/4"	7.9 - 5/16"	FZ, TZ	68	460	FH /TFHD4562Z
TFH-TR4566Z	119.7	TRI	5302	7247	9594	12422	15816	19871	24697	4369	1.66	NEW	22.2 - 7/8"	19 - 3/4"	7.9 - 5/16"	TZ	147	794	TFH-TR4566Z
TFH-TR4572Z	130.5	TRI	6042	8297	10967	14111	17793	22083	27064	4930	1.68	NEW	22.2 - 7/8"	19 - 3/4"	7.9 - 5/16"	TZ	147	794	TFH-TR4572Z
TFH-TR4593Z	169.8	TRI	8027	10803	14073	17935	22500	27892	34255	6081	1.78	NEW	28.6 - 1"1/8	19 - 3/4"	7.9 - 5/16"	TZ	148	794	TFH-TR4593Z
TFH-TR4612Z	222.6	TRI	10624	14081	18151	22954	28627	35324	43221	8178	1.72	NEW	28.6 - 1"1/8	19 - 3/4"	7.9 - 5/16"	TZ	148	794	TFH-TR4612Z
TAG4546Z	90.2	TRI	3534	4952	6694	8818	11391	14486	18186	2781	1.78	NEW	22.2 - 7/8"	15.9 - 5/8"	6.35 - 1/4"	KZ, TZ	43	368	TAG4546Z
TAG4553Z	100.7	TRI	4058	5645	7578	9929	12778	16214	20339	3163	1.78	NEW	22.2 - 7/8"	15.9 - 5/8"	6.35 - 1/4"	KZ, TZ	45	381	TAG4553Z
TAG4561Z	112.5	TRI	4720	6449	8536	11059	14103	17764	22154	3567	1.81	NEW	28.6 - 1"1/8	15.9 - 5/8"	6.35 - 1/4"	KZ, TZ	46	381	TAG4561Z
TAG4568Z	124.4	TRI	5722	7692	10059	12899	16295	20343	25152	3999	1.92	NEW	28.6 - 1"1/8	15.9 - 5/8"	6.35 - 1/4"	KZ, TZ	47	393	TAG4568Z
TAG4573Z	135	TRI	6237	8309	10817	13844	17481	21833	27017	4458	1.86	NEW	28.6 - 1"1/8	15.9 - 5/8"	6.35 - 1/4"	KZ, TZ	49	393	TAG4573Z
TAG4581Z	145	TRI	6972	9188	11821	14954	18674	23085	28302	5151	1.78	NEW	28.6 - 1"1/8	15.9 - 5/8"	6.35 - 1/4"	TZ	49	393	TAG4581Z
TAGD4590Z	180.4	TRI	7068	9905	13388	17637	22782	28972	36372	2781	3.56	NEW	28.6 - 1"1/8	15.9 - 5/8"	6.35 - 1/4"	TZ	104	560	TAGD4590Z
TAGD4610Z	201.4	TRI	8116	11289	15156	19859	25557	32429	40678	3163	3.57	NEW	28.6 - 1"1/8	15.9 - 5/8"	6.35 - 1/4"	TZ, KZ	109	560	TAGD4610Z
TAGD4612Z	225	TRI	9440	12898	17073	22118	28205	35528	44307	3567	3.62	NEW	34.9 - 1"3/8	15.9 - 5/8"	6.35 - 1/4"	TZ, KZ	111	560	TAGD4612Z
TAGD4614Z	248.8	TRI	11445	15385	20118	25798	32590	40687	50304	3999	3.85	NEW	34.9 - 1"3/8	15.9 - 5/8"	6.35 - 1/4"	TZ	113	560	TAGD4614Z
TAGD4515Z	270	TRI	12474	16618	21634	27687	34963	43666	54034	4458	3.73	NEW	34.9 - 1"3/8	15.9 - 5/8"	6.35 - 1/4"	TZ	114	560	TAGD4515Z
TAG-TR4614Z	270.6	TRI	10603	14857	20082	26455	34174	43458	54558	8342	1.78	NEW	34.9 - 1"3/8	22.2 - 7/8"	6.35 - 1/4"	TZ	184	820	TAG-TR4614Z
TAG-TR4616Z	302.1	TRI	12174	16934	22734	29788	38335	48643	61017	9489	1.78	NEW	34.9 - 1"3/8	22.2 - 7/8"	6.35 - 1/4"	TZ	184	820	TAG-TR4616Z
TAG-TR4618Z	337.5	TRI	14160	19348	25609	33177	42308	53292	66461	10701	1.81	NEW	34.9 - 1"3/8	22.2 - 7/8"	6.35 - 1/4"	TZ	186	820	TAG-TR4618Z
TAG-TR4620Z	373.2	TRI	17167	23077	30178	38696	48886	61030	75456	11996	1.92	NEW	41.3 - 1"5/8	28.6 - 1"1/8	6.35 - 1/4"	TZ	186	820	TAG-TR4620Z
TAG-TR4622Z	405	TRI	18711	24926	32450	41531	52444	65499	81051	13374	1.86	NEW	41.3 - 1"5/8	28.6 - 1"1/8	6.35 - 1/4"	TZ	187	820	TAG-TR4622Z

50 Hz

Please refer to Tecumseh Guidelines for using R449A/R452A refrigerants with R404A models





POSITIVE REFRIGERATION - HBP / CBP

R452A



Model Number	Displacement cm ³	Motor Type	Cooling Capacity (Watt) +45°C condensing T°, 3K sub-cooling, 10K superheating, Dew/Dew							Evaporating T°C -10°C		Tube Connections			Available Voltages	Weight Kg	Height mm (H)	Model Number
			Evaporating T°C							P input (Watt)	COP (W/W)	Suction (mm/inches)	Discharge (mm/inches)	Process (mm/inches)				
			-15°C	-10°C	-5°C	0°C	5°C	10°C	15°C									

R452A



RG/HGA 4467Z	9.5	CSR	660	831	1034	1278	1567	1912	2320	436	1.90	NEW	9.5 - 3/8"	7.9 - 5/16"	-	XA, CZ, FZ	12.5	266 / 163	RG/HGA 4467Z
RG/HGA 4480Z	11.5	CSR	795	998	1241	1531	1877	2288	2777	519	1.92	NEW	9.5 - 3/8"	7.9 - 5/16"	-	XA, CZ, FZ	12.5	276 / 163	RG/HGA 4480Z
RG/HGA 4492Z	12.8	CSR	907	1139	1417	1748	2144	2616	3175	578	1.97	NEW	12.7 - 1/2"	7.9 - 5/16"	-	XA, CZ, FZ	12.8	276 / 163	RG/HGA 4492Z
RG/HGA 4512Z	16.1	CSR	1120	1410	1755	2168	2659	3242	3934	736	1.91	NEW	12.7 - 1/2"	7.9 - 5/16"	-	XA, CZ, FZ	13.3	282 / 163	RG/HGA 4512Z

50 Hz

R452A

Multi refrigerant models - VSC SCROLL



VSC9515Z
VSC9519Z
VSC9521Z
VSC9526Z
VSC9530Z
VSC9538Z
VSC9545Z
VSC9548Z
VSC9558Z
VSC9566Z
VSC9576Z

Corresponding data available soon

R452A

Multi refrigerant models - SEMI-HERMETIC (SH)



SH4576Z	243	TRI	7544	9673	12160	15041	18354	22129	26389	4398	2.20	NEW	28.6 - 1"1/8	15.9 - 5/8"	-	YZ	79	293	SH4576Z
SH4591Z	283	TRI	9009	11457	14374	17818	21845	26505	31839	5334	2.15	NEW	28.6 - 1"1/8	15.9 - 5/8"	-	YZ	79	293	SH4591Z
SH4610Z	322	TRI	10601	13419	16760	20688	25266	30548	36578	6231	2.15	NEW	34.9 - 1" 3/8	15.9 - 5/8"	-	YZ	79	297	SH4610Z
SH4612Z	375	TRI	12250	15490	19341	23879	29179	35308	42317	7221	2.15	NEW	34.9 - 1" 3/8	15.9 - 5/8"	-	YZ	79	297	SH4612Z
SH4615Z	475	TRI	14700	18855	23803	29629	36412	44223	53113	8217	2.29	NEW	41.3 - 1"5/8	22.2 - 7/8"	-	MZ	120	363	SH4615Z
SH4620Z	591	TRI	20206	25330	31408	38602	47075	56982	68455	11079	2.29	NEW	41.3 - 1"5/8	22.2 - 7/8"	-	MZ	126	363	SH4620Z





POSITIVE REFRIGERATION - HBP / MHBP

R449A



Model Number	Displacement cm ³	Motor Type	Cooling Capacity (Watt) +45°C condensing T°, 3K sub-cooling, 10K superheating, Dew/Dew							Evaporating T°C -10°C		Tube Connections			Available Voltages	Weight Kg	Height mm (H)	Model Number
			Evaporating T°C							P input (Watt)	COP (W/W)	Suction (mm/inches)	Discharge (mm/inches)	Process (mm/inches)				
			-15°C	-10°C	-5°C	0°C	5°C	10°C	15°C									

R449A



THB4428Z	5.2	CSIR	271	354	453	572	713	881	1081	284	1.24	NEW	6.35 - 1/4"	4.76 - 3/16"	6.35 - 1/4"	FZ	8.2	172	THB4428Z
AE4425Z	4.24	CSIR	215	288	378	489	624	788	986	190	1.51	NEW	6.35 - 1/4"	4.76 - 3/16"	6.35 - 1/4"	FZ, AA, GS	10	200	AE4425Z
AE4430Z	5.16	CSIR	268	356	464	595	753	944	1172	228	1.56	NEW	6.35 - 1/4"	4.76 - 3/16"	6.35 - 1/4"	FZ, AA, GS	10	200	AE4430Z
AE4440Z	6.69	CSIR	362	482	627	804	1017	1274	1581	293	1.65	NEW	9.5 - 3/8"	6.35 - 1/4"	6.35 - 1/4"	FZ, AA, GS	10.2	210	AE4440Z
AE4450Z	8.85	CSIR	481	636	822	1045	1312	1630	2009	382	1.66	NEW	9.5 - 3/8"	6.35 - 1/4"	6.35 - 1/4"	FZ, AA, ES, FS, GS	10.5	210	AE4450Z
AE4460Z	10.33	CSIR	596	773	985	1241	1547	1912	2347	449	1.72	NEW	9.5 - 3/8"	6.35 - 1/4"	6.35 - 1/4"	FZ, AA, GS	11	210	AE4460Z
AE4470Z	12.01	CSR	705	914	1161	1455	1804	2219	2712	532	1.72	NEW	9.5 - 3/8"	6.35 - 1/4"	6.35 - 1/4"	FZ, AA, ES, FS	11.2	210	AE4470Z
CAJ/TAJ9480Z	15.2	CSR / TRI	769	1023	1331	1705	2154	2694	3340	594	1.72	NEW	12.7 - 1/2"	7.9 - 5/16"	6.35 - 1/4"	XA, FZ, GZ, TZ	20.8	268	CAJ/TAJ9480Z
CAJ/TAJ9510Z	18.3	CSR / TRI	967	1282	1666	2128	2686	3355	4156	725	1.77	NEW	15.9 - 5/8"	7.9 - 5/16"	6.35 - 1/4"	XA, FZ, GZ, TZ	21.5	280	CAJ/TAJ9510Z
CAJ/TAJ9513Z	24.2	CSR / TRI	1189	1612	2125	2743	3483	4363	5407	850	1.90	NEW	15.9 - 5/8"	7.9 - 5/16"	6.35 - 1/4"	XA, FZ, GZ, TZ	22	280	CAJ/TAJ9513Z
CAJ/TAJ4517Z	25.95	CSR / TRI	1378	1827	2369	3021	3803	4740	5855	963	1.90	NEW	15.9 - 5/8"	9.5 - 3/8"	6.35 - 1/4"	FZ, GZ, KZ, TZ	23	280	CAJ/TAJ4517Z
CAJ/TAJ4519Z	34.45	CSR / TRI	1780	2383	3102	3960	4983	6200	7643	1369	1.74	NEW	15.9 - 5/8"	9.5 - 3/8"	6.35 - 1/4"	FZ, GZ, KZ, TZ	23	280	CAJ/TAJ4519Z
FH/TFH 4522Z	39.9	CSR / TRI	1631	2310	3138	4143	5357	6814	8556	1326	1.74	NEW	15.9 - 5/8"	12.7 - 1/2"	7.9 - 5/16"	FZ, KZ, TZ	29	354	FH/TFH 4522Z
FH/TFH 4524Z	43.5	CSR / TRI	1922	2690	3610	4703	5992	7503	9265	1496	1.80	NEW	15.9 - 5/8"	12.7 - 1/2"	7.9 - 5/16"	FZ, GZ, KZ, TZ	29.3	354	FH/TFH 4524Z
FH/TFH 4531Z	56.6	CSR / TRI	2554	3503	4633	5978	7578	9477	11727	1845	1.90	NEW	22.2 - 7/8"	12.7 - 1/2"	7.9 - 5/16"	FZ, GZ, KZ, TZ	31	370	FH/TFH 4531Z
FH/TFH 4540Z	74.2	CSR / TRI	3380	4566	5975	7651	9641	12002	14796	2481	2.47	NEW	22.2 - 7/8"	12.7 - 1/2"	7.9 - 5/16"	FZ, GZ, KZ, TZ	32.8	370	FH/TFH 4540Z
TFHD4544Z	79.8	TRI	3262	4620	6275	8286	10713	13629	17113	2651	1.74	NEW	22.2 - 7/8"	19 - 3/4"	7.9 - 5/16"	KZ	67	460	TFHD4544Z
FH / TFHD4548Z	87	CSR / TRI	3844	5381	7221	9407	11985	15006	18530	2992	1.80	NEW	22.2 - 7/8"	19 - 3/4"	7.9 - 5/16"	FZ, TZ	68	460	FH / TFHD4548Z
FH /TFHD4562Z	113.2	CSR / TRI	5107	7006	9266	11956	15155	18954	23453	3690	1.90	NEW	28.6 - 1"1/8	19 - 3/4"	7.9 - 5/16"	FZ, TZ	68	460	FH /TFHD4562Z
TFH-TR4566Z	119.7	TRI	4893	6929	9413	12428	16070	20443	25669	3977	1.74	NEW	22.2 - 7/8"	19 - 3/4"	7.9 - 5/16"	TZ	147	794	TFH-TR4566Z
TFH-TR4572Z	130.5	TRI	5766	8071	10831	14110	17977	22509	27795	4488	1.80	NEW	22.2 - 7/8"	19 - 3/4"	7.9 - 5/16"	TZ	147	794	TFH-TR4572Z
TFH-TR4593Z	169.8	TRI	7661	10509	13898	17934	22733	28430	35180	5535	1.90	NEW	28.6 - 1"1/8	19 - 3/4"	7.9 - 5/16"	TZ	148	794	TFH-TR4593Z
TFH-TR4612Z	222.6	TRI	10140	13698	17925	22952	28923	36005	44388	7444	1.84	NEW	28.6 - 1"1/8	19 - 3/4"	7.9 - 5/16"	TZ	148	794	TFH-TR4612Z
TAG4546Z	90.2	TRI	3373	4818	6611	8818	11509	14765	18677	2531	1.90	NEW	22.2 - 7/8"	15.9 - 5/8"	6.35 - 1/4"	KZ, TZ	43	368	TAG4546Z
TAG4553Z	100.7	TRI	3873	5491	7484	9929	12911	16527	20888	2879	1.91	NEW	22.2 - 7/8"	15.9 - 5/8"	6.35 - 1/4"	KZ, TZ	45	381	TAG4553Z
TAG4561Z	112.5	TRI	4505	6274	8431	11058	14249	18107	22752	3247	1.93	NEW	28.6 - 1"1/8	15.9 - 5/8"	6.35 - 1/4"	KZ, TZ	46	381	TAG4561Z
TAG4568Z	124.4	TRI	5461	7483	9934	12898	16464	20736	25831	3640	2.06	NEW	28.6 - 1"1/8	15.9 - 5/8"	6.35 - 1/4"	KZ, TZ	47	393	TAG4568Z
TAG4573Z	135	TRI	5953	8083	10683	13843	17662	22254	27746	4058	1.99	NEW	28.6 - 1"1/8	15.9 - 5/8"	6.35 - 1/4"	KZ, TZ	49	393	TAG4573Z
TAG4581Z	145	TRI	6654	8937	11675	14952	18868	23530	29066	4689	1.91	NEW	28.6 - 1"1/8	15.9 - 5/8"	6.35 - 1/4"	TZ	49	393	TAG4581Z
TAGD4590Z	180.4	TRI	6746	9635	13222	17635	23018	29531	37354	5062	1.90	NEW	28.6 - 1"1/8	15.9 - 5/8"	6.35 - 1/4"	TZ	104	560	TAGD4590Z
TAGD4610Z	201.4	TRI	7746	10982	14968	19857	25822	33055	41776	5758	1.91	NEW	28.6 - 1"1/8	15.9 - 5/8"	6.35 - 1/4"	TZ, KZ	109	560	TAGD4610Z
TAGD4612Z	225	TRI	9010	12547	16861	22116	28497	36213	45503	6494	1.93	NEW	34.9 - 1"3/8	15.9 - 5/8"	6.35 - 1/4"	TZ, KZ	111	560	TAGD4612Z
TAGD4614Z	248.8	TRI	10923	14966	19869	25795	32928	41472	51662	7280	2.06	NEW	34.9 - 1"3/8	15.9 - 5/8"	6.35 - 1/4"	TZ	113	560	TAGD4614Z
TAGD4615Z	270	TRI	11905	16165	21365	27685	35325	44508	55492	8116	1.99	NEW	34.9 - 1"3/8	15.9 - 5/8"	6.35 - 1/4"	TZ	114	560	TAGD4615Z
TAG-TR4614Z	270.6	TRI	10119	14453	19833	26453	34528	44296	56031	7593	1.90	NEW	34.9 - 1"3/8	22.2 - 7/8"	6.35 - 1/4"	TZ	184	820	TAG-TR4614Z
TAG-TR4616Z	302.1	TRI	11618	16473	22452	29786	38733	49582	62664	8638	1.91	NEW	34.9 - 1"3/8	22.2 - 7/8"	6.35 - 1/4"	TZ	184	820	TAG-TR4616Z
TAG-TR4618Z	337.5	TRI	13514	18821	25292	33174	42746	54320	68255	9740	1.93	NEW	34.9 - 1"3/8	22.2 - 7/8"	6.35 - 1/4"	TZ	186	820	TAG-TR4618Z
TAG-TR4620Z	373.2	TRI	16384	22449	29803	38693	49392	62208	77493	10920	2.06	NEW	41.3 - 1"5/8	28.6 - 1"1/8	6.35 - 1/4"	TZ	186	820	TAG-TR4620Z
TAG-TR4622Z	405	TRI	17858	24248	32048	41528	52987	66763	83239	12173	1.99	NEW	41.3 - 1"5/8	28.6 - 1"1/8	6.35 - 1/4"	TZ	187	820	TAG-TR4622Z

50 Hz





POSITIVE REFRIGERATION - HBP / CBP

R449A



Model Number	Displacement cm ³	Motor Type	Cooling Capacity (Watt) +45°C condensing T°, 3K sub-cooling, 10K superheating, Dew/Dew							Evaporating T°C -10°C		Tube Connections			Available Voltages	Weight Kg	Height mm (H)	Model Number
			Evaporating T°C							P input (Watt)	COP (W/W)	Suction (mm/inches)	Discharge (mm/inches)	Process (mm/inches)				
			-15°C	-10°C	-5°C	0°C	5°C	10°C	15°C									

R449A



RG/HGA 4467Z	9.5	CSR	630	808	1022	1277	1584	1949	2383	397	2.04	NEW	9.5 - 3/8"	7.9 - 5/16"	-	XA, CZ, FZ	12.5	266 / 163	RG/HGA 4467Z
RG/HGA 4480Z	11.5	CSR	759	971	1226	1531	1896	2333	2852	473	2.05	NEW	9.5 - 3/8"	7.9 - 5/16"	-	XA, CZ, FZ	12.5	276 / 163	RG/HGA 4480Z
RG/HGA 4492Z	12.8	CSR	866	1108	1399	1748	2167	2666	3261	526	2.11	NEW	12.7 - 1/2"	7.9 - 5/16"	-	XA, CZ, FZ	12.8	276 / 163	RG/HGA 4492Z
RG/HGA 4512Z	16.1	CSR	1069	1371	1734	2167	2686	3305	4040	670	2.05	NEW	12.7 - 1/2"	7.9 - 5/16"	-	XA, CZ, FZ	13.3	282 / 163	RG/HGA 4512Z

50 Hz

R449A

Multi refrigerant models - VSC SCROLL



VSC9515Z
VSC9519Z
VSC9521Z
VSC9526Z
VSC9530Z
VSC9538Z
VSC9545Z
VSC9548Z
VSC9558Z
VSC9566Z
VSC9576Z

Corresponding data available soon

R449A

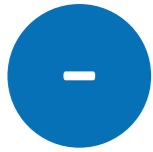
Multi refrigerant models - SEMI-HERMETIC (SH)



SH4576Z	243	TRI	7200	9410	12009	15040	18544	22556	27101	4003	2.35	NEW	28.6 - 1"1/8	15.9 - 5/8"	-	YZ	79	293	SH4576Z
SH4591Z	283	TRI	8598	11145	14196	17817	22071	27017	32698	4855	2.30	NEW	28.6 - 1"1/8	15.9 - 5/8"	-	YZ	79	293	SH4591Z
SH4610Z	322	TRI	10118	13053	16552	20687	25528	31138	37566	5672	2.30	NEW	34.9 - 1" 3/8	15.9 - 5/8"	-	YZ	79	297	SH4610Z
SH4612Z	375	TRI	11691	15068	19101	23877	29481	35989	43459	6573	2.29	NEW	34.9 - 1" 3/8	15.9 - 5/8"	-	YZ	79	297	SH4612Z
SH4615Z	475	TRI	14029	18342	23508	29626	36789	45076	54546	7479	2.45	NEW	41.3 - 1"5/8	22.2 - 7/8"	-	MZ	120	363	SH4615Z
SH4620Z	591	TRI	19285	24641	31018	38599	47563	58081	70303	10085	2.44	NEW	41.3 - 1"5/8	22.2 - 7/8"	-	MZ	126	363	SH4620Z

Please refer to Tecumseh Guidelines for using R449A/R452A refrigerants with R404A models





NEGATIVE REFRIGERATION - LBP

50 Hz

Model Number	Displacement cm ³	Motor Type	Cooling Capacity (Watt) +40°C condensing T°, 3K sub-cooling, 10K superheating						Evaporating T°C -35°C		Tube Connections			Available Voltages	Weight Kg	Height mm (H)	Model Number	Model Number
			Evaporating T°C						P abs (Watt)	COP (W/W)	Suction (mm/inches)	Discharge (mm/inches)	Process (mm/inches)					
			-35°C	-30°C	-25°C	-20°C	-15°C	-10°C										



at +20°C Return Gas

R290



AE2410U	5.48	CSIR	99	142	195	260	339	433	143	0.69		6.35 - 1/4"	4.76 - 3/16"	6.35 - 1/4"	FZ	10.5	210	AE2410U
AE2415U	8.85	CSIR	160	227	306	399	509	636	197	0.81		6.35 - 1/4"	4.76 - 3/16"	6.35 - 1/4"	FZ*, AA, GS	10.6	210	AE2415U
AE2420U	10.96	CSIR	238	317	410	522	654	808	264	0.90		9.5 - 3/8"	6.35 - 1/4"	6.35 - 1/4"	FZ*, AA, GS	10.6	210	AE2420U
CAJ2446U	26.2	CSR	510	681	893	1155	1477	1870	525	0.97	NEW	12.7 - 1/2"	7.9 - 5/16"	6.35 - 1/4"	FZ	22	268	CAJ2446U
CAJ2464U	34.5	CSR	720	990	1286	1619	2003	2450	709	1.02	NEW	12.7 - 1/2"	9.5 - 3/8"	6.35 - 1/4"	FZ	23	268	CAJ2464U

ASERCOM Certified
*ASERCOM Certified
*ASERCOM Certified
ASERCOM Certified
ASERCOM Certified

R134a



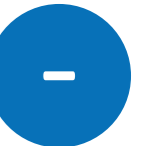
AE1390Y	8	PTCSIR	90	131	182	245	322	413	135	0.67		6.35 - 1/4"	4.76 - 3/16"	6.35 - 1/4"	FZ	8	200	AE1390Y
AE2410Y	9.4	CSIR	103	151	210	278	353	432	142	0.73		7.9 - 5/16"	6.35 - 1/4"	6.35 - 1/4"	FZ	10	200	AE2410Y
AE2413Y	12	CSIR	130	188	260	346	448	565	179	0.73		6.35 - 1/4"	4.76 - 3/16"	6.35 - 1/4"	FZ	11	210	AE2413Y
AE2415Y	12.5	CSIR	164	225	299	391	507	652	182	0.90		6.35 - 1/4"	4.76 - 3/16"	6.35 - 1/4"	FZ	11.5	210	AE2415Y

R404A



THB2360Z	3.6	CSIR	71	97	129	169	217	275	104	0.68		6.35 - 1/4"	4.76 - 3/16"	6.35 - 1/4"	XA, FZ*, GZ	7	172	THB2360Z
THB2378Z	4.2	CSIR	82	112	149	195	251	318	136	0.60		6.35 - 1/4"	4.76 - 3/16"	6.35 - 1/4"	XA, FZ*, GZ	8	172	THB2378Z
THB2396Z	5.2	CSIR	108	145	191	247	315	395	157	0.69		6.35 - 1/4"	4.76 - 3/16"	6.35 - 1/4"	FZ	8.3	172	THB2396Z
AE2410Z	5.02	CSIR	99	142	195	259	336	427	156	0.63		6.35 - 1/4"	4.76 - 3/16"	6.35 - 1/4"	FZ*, AA, GS	9.9	210	AE2410Z
AE2415Z	7.33	CSIR	160	220	293	382	489	617	206	0.78		6.35 - 1/4"	4.76 - 3/16"	6.35 - 1/4"	FZ*, AA, GS	10	210	AE2415Z
AE2420Z	9.35	CSIR	202	280	377	494	636	805	252	0.80		9.5 - 3/8"	6.35 - 1/4"	6.35 - 1/4"	FZ*, AA, GS	10.1	210	AE2420Z
AE2425Z	12.01	CSR	271	372	496	644	821	1032	323	0.84		9.5 - 3/8"	6.35 - 1/4"	6.35 - 1/4"	FZ*, AA, ES, FS	10.1	210	AE2425Z
CAJ/TAJ2428Z	15.2	CSIR / TRI	252	367	511	689	906	1169	368	0.68		12.7 - 1/2"	6.35 - 1/4"	6.35 - 1/4"	XA, FZ*, GZ,TZ	20	268	CAJ/TAJ2428Z
CAJ/TAJ2432Z	18.3	CSR / TRI	313	458	640	865	1140	1470	417	0.75		12.7 - 1/2"	7.9 - 5/16"	6.35 - 1/4"	XA, FZ*, GZ,TZ	21	268	CAJ/TAJ2432Z
CAJ2440Z	21	CSR	380	547	755	1011	1322	1695	499	0.76		12.7 - 1/2"	7.9 - 5/16"	6.35 - 1/4"	FZ	22	280	CAJ2440Z
CAJ/TAJ2446Z	26.2	CSR / TRI	515	726	982	1292	1663	2102	604	0.85		12.7 - 1/2"	7.9 - 5/16"	6.35 - 1/4"	XA, FZ*, GZ,KZ,TZ	22	280	CAJ/TAJ2446Z
CAJ/TAJ2464Z	34.5	CSR / TRI	681	943	1266	1660	2135	2704	845	0.81		15.9 - 5/8"	9.5 - 3/8"	6.35 - 1/4"	XA, FZ*, GZ,KZ,TZ	23	280	CAJ/TAJ2464Z
FH/TFH2480Z	53.2	CSR / TRI	924	1340	1831	2405	3075	3851	1102	0.84		15.9 - 5/8"	12.7 - 1/2"	7.9 - 5/16"	FZ*, GZ,KZ,TZ	32	354	FH/TFH2480Z
FH/TFH2511Z	74.2	CSR / TRI	1224	1794	2504	3376	4433	5697	1388	0.88		15.9 - 5/8"	12.7 - 1/2"	7.9 - 5/16"	FZ*, GZ,KZ,TZ	32	370	FH/TFH2511Z
TFHD2516Z	106.4	TRI	1848	2680	3662	4810	6150	7702	2204	0.84		22.2 - 7/8"	15.9 - 5/8"	7.9 - 5/16"	TZ	79	455	TFHD2516Z
TFHD2522Z	148.4	TRI	2448	3588	5008	6752	8866	11394	2776	0.88		28.6 - 1" 1/8	15.9 - 5/8"	7.9 - 5/16"	TZ, KZ	80	455	TFHD2522Z
TFH-TR2524Z	159.6	TRI	2772	4020	5493	7215	9225	11553	3306	0.84		22.2 - 7/8"	19 - 3/4"	7.9 - 5/16"	TZ	147	794	TFH-TR2524Z
TFH-TR2533Z	222.6	TRI	3672	5382	7512	10128	13299	17091	4164	0.88		28.6 - 1" 1/8	19 - 3/4"	7.9 - 5/16"	TZ	148	794	TFH-TR2533Z
TAG2513Z	100.7	TRI	1260	1991	2920	4083	5517	7261	1631	0.77		22.2 - 7/8"	15.9 - 5/8"	6.35 - 1/4"	TZ	44	368	TAG2513Z
TAG2516Z	112.5	TRI	1923	2660	3652	4917	6473	8338	2106	0.91		22.2 - 7/8"	15.9 - 5/8"	6.35 - 1/4"	KZ, TZ	44	368	TAG2516Z
TAG2522Z	135	TRI	2206	3203	4454	6008	7917	10239	2389	0.92		28.6 - 1" 1/8	15.9 - 5/8"	6.35 - 1/4"	KZ, TZ	47	393	TAG2522Z
TAG2525Z	145	TRI	2475	3572	4913	6539	8490	10815	2659	0.93		28.6 - 1" 1/8	15.9 - 5/8"	6.35 - 1/4"	TZ	47	393	TAG2525Z
TAGD2532Z	225	TRI	3846	5320	7304	9834	12946	16676	4212	0.91		22.2 - 7/8"	15.9 - 5/8"	6.35 - 1/4"	TZ, KZ	104	560	TAGD2532Z
TAGD2544Z	270	TRI	4412	6406	8908	12016	15834	20478	4778	0.92		22.2 - 7/8"	15.9 - 5/8"	6.35 - 1/4"	TZ, KZ	104	560	TAGD2544Z
TAG-TR2548Z	337.5	TRI	5769	7980	10956	14751	19419	25014	6318	0.91		34.9 - 1" 3/8	22.2 - 7/8"	6.35 - 1/4"	TZ	183	820	TAG-TR2548Z
TAG-TR2566Z	405	TRI	6618	9609	13362	18024	23751	30717	7167	0.92		34.9 - 1" 3/8	22.2 - 7/8"	6.35 - 1/4"	TZ	183	820	TAG-TR2566Z

*ASERCOM Certified
*ASERCOM Certified
ASERCOM Certified
*ASERCOM Certified
*ASERCOM Certified
*ASERCOM Certified
*ASERCOM Certified
*ASERCOM Certified
*ASERCOM Certified
ASERCOM Certified
*ASERCOM Certified
*ASERCOM Certified
*ASERCOM Certified
*ASERCOM Certified
*ASERCOM Certified
*ASERCOM Certified
*ASERCOM Certified
*ASERCOM Certified
*ASERCOM Certified
*ASERCOM Certified





NEGATIVE REFRIGERATION - LBP

50 Hz

Model Number	Displacement cm ³	Motor Type	Cooling Capacity (Watt) +40°C condensing T°, 3K sub-cooling, 10K superheating						Evaporating T°C -35°C		Tube Connections			Available Voltages	Weight Kg	Height mm (H)	Model Number	Model Number
			Evaporating T°C						P abs (Watt)	COP (W/W)	Suction (mm/inches)	Discharge (mm/inches)	Process (mm/inches)					
			-35°C	-30°C	-25°C	-20°C	-15°C	-10°C										



R404A



RG/HGA2426Z	9.5	CSR	283	368	472	599	750	929	315	0.90		9.5 - 3/8"	7.9 - 5/16"	-	XA, CZ, FZ*	11.5	266 / 163	RG/HGA2426Z
RG/HGA2432Z	11.5	CSR	350	453	578	728	908	1120	377	0.93		9.5 - 3/8"	7.9 - 5/16"	-	XA, CZ, FZ*	12	276 / 163	RG/HGA2432Z
RG/HGA2436Z	12.8	CSR	369	481	617	782	979	1215	412	0.90		12.7 - 1/2"	7.9 - 5/16"	-	XA, CZ, FZ*	12	276 / 163	RG/HGA2436Z
RG/HGA2446Z	16.1	CSR	478	623	801	1017	1278	1591	516	0.93		12.7 - 1/2"	7.9 - 5/16"	-	FZ	13	282 / 163	RG/HGA2446Z

at +20°C Return Gas

*ASERCOM Certified
*ASERCOM Certified
*ASERCOM Certified
ASERCOM Certified

Model Number	Displacement cm ³	Motor Type	Cooling Capacity (Watt) +40°C condensing T°, 3K sub-cooling, 10K superheating						Evaporating T°C -35°C		Tube Connections			Available Voltages	Weight Kg	Height mm (H)	Model Number	Model Number
			Evaporating T°C						P abs (Watt)	COP (W/W)	Suction (mm/inches)	Discharge (mm/inches)	Process (mm/inches)					
			-35°C	-30°C	-25°C	-20°C	-15°C	-10°C										

R404A



SH2524Z	206	TRI	2838	3753	4862	6193	7775	9636	2542	1.48		28.6 - 1"1/8	12.7 - 1/2"	-	YZ	55	295	SH2524Z
SH2529Z	275	TRI	3181	4424	5925	7723	9858	12369	2745	1.61		28.6 - 1"1/8	12.7 - 1/2"	-	YZ	79	293	SH2529Z
SH2534Z	322	TRI	4033	5510	7297	9437	11978	14965	3409	1.62		28.6 - 1"1/8	15.9 - 5/8"	-	YZ	79	293	SH2534Z
SH2542Z	375	TRI	5013	6686	8704	11122	13996	17383	4071	1.64		34.9 - 1" 3/8	15.9 - 5/8"	-	YZ	79	297	SH2542Z
SH2552Z	412	TRI	6040	8013	10384	13210	16553	20474	4619	1.73		34.9 - 1" 3/8	15.9 - 5/8"	-	YZ	79	297	SH2552Z
SH2568Z	592	TRI	8316	11023	14190	17950	22446	27821	6223	1.77		34.9 - 1" 3/8	15.9 - 5/8"	-	MZ	120	363	SH2568Z
SH2575Z	644	TRI	9015	12081	15680	19959	25074	31186	6700	1.80		41.3 - 1"5/8	15.9 - 5/8"	-	MZ	130	363	SH2575Z

ASERCOM COMPRESSOR CERTIFICATION PROGRAM



"Using common test methods, products certified by ASERCOM provide reliable performance data which are presented in a comparable manner to optimize product comparison and selection".

www.asercom.org/asercom-activities



NEGATIVE REFRIGERATION - LBP

R452A **new**

Model Number	Displacement cm ³	Motor Type	Cooling Capacity (Watt) +40°C condensing T°, 3K sub-cooling, 10K superheating, Dew/Dew						Evaporating T°C -35°C		Tube Connections			Available Voltages	Weight Kg	Height mm (H)	Model Number	Model Number
			Evaporating T°C						P abs (Watt)	COP (W/W)	Suction (mm/inches)	Discharge (mm/inches)	Process (mm/inches)					
			-35°C	-30°C	-25°C	-20°C	-15°C	-10°C										

R452A



THB2360Z	3.6	CSIR	65	92	124	165	214	273	97	0.67	NEW	6.35 - 1/4"	4.76 - 3/16"	6.35 - 1/4"	XA, FZ, GZ	7	172	THB2360Z
THB2378Z	4.2	CSIR	76	106	143	190	247	316	127	0.60	NEW	6.35 - 1/4"	4.76 - 3/16"	6.35 - 1/4"	XA, FZ, GZ	8	172	THB2378Z
THB2396Z	5.2	CSIR	100	137	183	240	309	393	146	0.68	NEW	6.35 - 1/4"	4.76 - 3/16"	6.35 - 1/4"	FZ	8.3	172	THB2396Z
AE2410Z	5.02	CSIR	91	134	187	252	331	425	145	0.63	NEW	6.35 - 1/4"	4.76 - 3/16"	6.35 - 1/4"	FZ, AA, GS	9.9	210	AE2410Z
AE2415Z	7.33	CSIR	147	207	281	372	482	613	200	0.74	NEW	6.35 - 1/4"	4.76 - 3/16"	6.35 - 1/4"	FZ, AA, GS	10	210	AE2415Z
AE2420Z	9.35	CSIR	187	265	361	481	625	800	234	0.80	NEW	9.5 - 3/8"	6.35 - 1/4"	6.35 - 1/4"	FZ, AA, GS	10.1	210	AE2420Z
AE2425Z	12.01	CSR	250	351	476	627	808	1025	300	0.83	NEW	9.5 - 3/8"	6.35 - 1/4"	6.35 - 1/4"	FZ, AA, ES, FS	10.1	210	AE2425Z
CAJ/TAJ2428Z	15.2	CSIR / TRI	233	346	490	670	892	1161	342	0.68	NEW	12.7 - 1/2"	6.35 - 1/4"	6.35 - 1/4"	XA, FZ, GZ,TZ	20	268	CAJ/TAJ2428Z
CAJ/TAJ2432Z	18.3	CSR / TRI	289	432	614	842	1121	1460	387	0.75	NEW	12.7 - 1/2"	7.9 - 5/16"	6.35 - 1/4"	XA, FZ, GZ,TZ	21	268	CAJ/TAJ2432Z
CAJ2440Z	21	CSR / TRI	351	516	724	983	1300	1684	464	0.76	NEW	12.7 - 1/2"	7.9 - 5/16"	6.35 - 1/4"	FZ	22	280	CAJ2440Z
CAJ/TAJ2446Z	26.2	CSR / TRI	475	685	943	1257	1636	2088	561	0.85	NEW	12.7 - 1/2"	7.9 - 5/16"	6.35 - 1/4"	XA, FZ, GZ,KZ,TZ	22	280	CAJ/TAJ2446Z
CAJ/TAJ2464Z	34.5	CSR / TRI	629	889	1214	1614	2101	2686	785	0.80	NEW	15.9 - 5/8"	9.5 - 3/8"	6.35 - 1/4"	XA, FZ, GZ,KZ,TZ	23	280	CAJ/TAJ2464Z
FH/TFH2480Z	53.2	CSR / TRI	830	1258	1778	2404	3149	4032	1024	0.81	NEW	15.9 - 5/8"	12.7 - 1/2"	7.9 - 5/16"	FZ, GZ,KZ,TZ	32	354	FH/TFH2480Z
FH/TFH2511Z	74.2	CSR / TRI	1145	1713	2412	3261	4284	5501	1290	0.89	NEW	15.9 - 5/8"	12.7 - 1/2"	7.9 - 5/16"	FZ, GZ,KZ,TZ	32	370	FH/TFH2511Z
TFHD2516Z	106.4	TRI	1659	2516	3557	4807	6299	8064	2048	0.81	NEW	22.2 - 7/8"	15.9 - 5/8"	7.9 - 5/16"	TZ	79	455	TFHD2516Z
TFHD2522Z	148.4	TRI	2291	3426	4823	6523	8567	11003	2580	0.89	NEW	28.6 - 1"1/8	15.9 - 5/8"	7.9 - 5/16"	TZ, KZ	80	455	TFHD2522Z
TFH-TR2524Z	159.6	TRI	2489	3775	5335	7211	9448	12096	3072	0.81	NEW	22.2 - 7/8"	19 - 3/4"	7.9 - 5/16"	TZ	147	794	TFH-TR2524Z
TFH-TR2533Z	222.6	TRI	3436	5139	7235	9784	12851	16504	3870	0.89	NEW	28.6 - 1"1/8	19 - 3/4"	7.9 - 5/16"	TZ	148	794	TFH-TR2533Z
TAG2513Z	100.7	TRI	1164	1878	2802	3972	5428	7212	1515	0.77	NEW	22.2 - 7/8"	15.9 - 5/8"	6.35 - 1/4"	TZ	44	368	TAG2513Z
TAG2516Z	112.5	TRI	1776	2509	3504	4783	6368	8282	1968	0.90	NEW	22.2 - 7/8"	15.9 - 5/8"	6.35 - 1/4"	KZ, TZ	44	368	TAG2516Z
TAG2522Z	135	TRI	2038	3021	4273	5844	7790	10170	2220	0.92	NEW	28.6 - 1"1/8	15.9 - 5/8"	6.35 - 1/4"	KZ, TZ	47	393	TAG2522Z
TAG2525Z	145	TRI	2286	3369	4714	6360	8354	10743	2470	0.93	NEW	28.6 - 1"1/8	15.9 - 5/8"	6.35 - 1/4"	TZ	47	393	TAG2525Z
TAGD2532Z	201.4	TRI	3553	5018	7008	9566	12737	16564	3936	0.90	NEW	22.2 - 7/8"	15.9 - 5/8"	6.35 - 1/4"	TZ, KZ	104	560	TAGD2532Z
TAGD2544Z	225	TRI	4076	6043	8546	11688	15580	20340	4440	0.92	NEW	22.2 - 7/8"	15.9 - 5/8"	6.35 - 1/4"	TZ, KZ	104	560	TAGD2544Z
TAG-TR2548Z	337.5	TRI	5329	7526	10512	14350	19105	24846	5904	0.90	NEW	34.9 - 1" 3/8	22.2 - 7/8"	6.35 - 1/4"	TZ	183	820	TAG-TR2548Z
TAG-TR2566Z	405	TRI	6114	9064	12820	17533	23369	30511	6660	0.92	NEW	34.9 - 1" 3/8	22.2 - 7/8"	6.35 - 1/4"	TZ	183	820	TAG-TR2566Z

50 Hz

Model Number	Displacement cm ³	Motor Type	Cooling Capacity (Watt) +40°C condensing T°, 3K sub-cooling, 10K superheating, Dew/Dew						Evaporating T°C -35°C		Tube Connections			Available Voltages	Weight Kg	Height mm (H)	Model Number	Model Number
			Evaporating T°C						P abs (Watt)	COP (W/W)	Suction (mm/inches)	Discharge (mm/inches)	Process (mm/inches)					
			-35°C	-30°C	-25°C	-20°C	-15°C	-10°C										

R452A



RG/HGA2426Z	9.5	CSR	274	363	472	603	760	946	293	0.94	NEW	9.5 - 3/8"	7.9 - 5/16"	-	XA, CZ, FZ	11.5	266 / 163	RG/HGA2426Z
RG/HGA2432Z	11.5	CSR	340	447	577	734	920	1140	350	0.97	NEW	9.5 - 3/8"	7.9 - 5/16"	-	XA, CZ, FZ	12	276 / 163	RG/HGA2432Z
RG/HGA2436Z	12.8	CSR	358	474	616	787	993	1237	383	0.93	NEW	12.7 - 1/2"	7.9 - 5/16"	-	XA, CZ, FZ	12	276 / 163	RG/HGA2436Z
RG/HGA2446Z	16.1	CSR	464	614	799	1025	1296	1620	479	0.97	NEW	12.7 - 1/2"	7.9 - 5/16"	-	FZ	13	282 / 163	RG/HGA2446Z

Please refer to Tecumseh Guidelines for using R449A/R452A refrigerants with R404A models

NEGATIVE REFRIGERATION - LBP

NEGATIVE REFRIGERATION - LBP

Model Number	Displacement cm ³	Motor Type	Cooling Capacity (Watt) +40°C condensing T°, 3K sub-cooling, 10K superheating, Dew/Dew						Evaporating T°C -35°C		Tube Connections			Available Voltages	Weight Kg	Height mm (H)	Model Number	Model Number
			Evaporating T°C						P abs (Watt)	COP (W/W)	Suction (mm/inches)	Discharge (mm/inches)	Process (mm/inches)					
			-35°C	-30°C	-25°C	-20°C	-15°C	-10°C										

R452A

R452A

SH2524Z	206	TRI	2621	3541	4665	6024	7649	9572	2363	1.50	NEW	28.6 - 1"1/8	12.7 - 1/2"	-	YZ	55	295	SH2524Z
SH2529Z	275	TRI	2939	4173	5684	7512	9699	12287	2551	1.64	NEW	28.6 - 1"1/8	12.7 - 1/2"	-	YZ	79	293	SH2529Z
SH2534Z	322	TRI	3725	5198	7000	9180	11785	14865	3168	1.64	NEW	28.6 - 1"1/8	15.9 - 5/8"	-	YZ	79	293	SH2534Z
SH2542Z	375	TRI	4630	6307	8350	10819	13770	17267	3784	1.67	NEW	34.9 - 1" 3/8	15.9 - 5/8"	-	YZ	79	297	SH2542Z
SH2552Z	412	TRI	5579	7559	9961	12850	16286	20337	4293	1.76	NEW	34.9 - 1" 3/8	15.9 - 5/8"	-	YZ	79	297	SH2552Z
SH2568Z	592	TRI	7681	10398	13613	17460	22084	27635	5784	1.80	NEW	34.9 - 1" 3/8	15.9 - 5/8"	-	MZ	120	363	SH2568Z
SH2575Z	644	TRI	8326	11396	15043	19415	24670	30977	6227	1.83	NEW	41.3 - 1"5/8	15.9 - 5/8"	-	MZ	130	363	SH2575Z

50 Hz

Model Number	Displacement cm ³	Motor Type	Cooling Capacity (Watt) +40°C condensing T°, 3K sub-cooling, 10K superheating, Dew/Dew						Evaporating T°C -35°C		Tube Connections			Available Voltages	Weight Kg	Height mm (H)	Model Number	Model Number
			Evaporating T°C						P abs (Watt)	COP (W/W)	Suction (mm/inches)	Discharge (mm/inches)	Process (mm/inches)					
			-35°C	-30°C	-25°C	-20°C	-15°C	-10°C										

R449A

R449A

THB2360Z	3.6	CSIR	60	86	118	158	208	267	91	0.66	NEW	6.35 - 1/4"	4.76 - 3/16"	6.35 - 1/4"	XA, FZ, GZ	7	172	THB2360Z
THB2378Z	4.2	CSIR	70	99	136	183	240	309	118	0.59	NEW	6.35 - 1/4"	4.76 - 3/16"	6.35 - 1/4"	XA, FZ, GZ	8	172	THB2378Z
THB2396Z	5.2	CSIR	91	128	174	231	301	384	136	0.67	NEW	6.35 - 1/4"	4.76 - 3/16"	6.35 - 1/4"	FZ	8.3	172	THB2396Z
AE2410Z	5.02	CSIR	84	126	178	243	321	415	135	0.62	NEW	6.35 - 1/4"	4.76 - 3/16"	6.35 - 1/4"	FZ, AA, GS	9.9	210	AE2410Z
AE2415Z	7.33	CSIR	135	194	267	358	468	600	186	0.73	NEW	6.35 - 1/4"	4.76 - 3/16"	6.35 - 1/4"	FZ, AA, GS	10	210	AE2415Z
AE2420Z	9.35	CSIR	171	248	344	462	607	782	219	0.78	NEW	9.5 - 3/8"	6.35 - 1/4"	6.35 - 1/4"	FZ, AA, GS	10.1	210	AE2420Z
AE2425Z	12.01	CSR	229	329	453	603	785	1002	280	0.82	NEW	9.5 - 3/8"	6.35 - 1/4"	6.35 - 1/4"	FZ, AA, ES, FS	10.1	210	AE2425Z
CAJ/TAJ2428Z	15.2	CSIR / TRI	213	324	466	645	866	1136	319	0.67	NEW	12.7 - 1/2"	6.35 - 1/4"	6.35 - 1/4"	XA, FZ, GZ,TZ	20	268	CAJ/TAJ2428Z
CAJ/TAJ2432Z	18.3	CSR / TRI	265	405	584	810	1089	1428	361	0.73	NEW	12.7 - 1/2"	7.9 - 5/16"	6.35 - 1/4"	XA, FZ, GZ,TZ	21	268	CAJ/TAJ2432Z
CAJ2440Z	21	CSR / TRI	322	484	689	946	1263	1646	433	0.74	NEW	12.7 - 1/2"	7.9 - 5/16"	6.35 - 1/4"	FZ	22	280	CAJ2440Z
CAJ/TAJ2446Z	26.2	CSR / TRI	436	642	897	1210	1589	2042	524	0.83	NEW	12.7 - 1/2"	7.9 - 5/16"	6.35 - 1/4"	XA, FZ, GZ,KZ,TZ	22	280	CAJ/TAJ2446Z
CAJ/TAJ2464Z	34.5	CSR / TRI	577	834	1156	1554	2041	2627	732	0.79	NEW	15.9 - 5/8"	9.5 - 3/8"	6.35 - 1/4"	XA, FZ, GZ,KZ,TZ	23	280	CAJ/TAJ2464Z
FH/TFH2480Z	53.2	CSR / TRI	783	1185	1671	2252	2939	3741	955	0.82	NEW	15.9 - 5/8"	12.7 - 1/2"	7.9 - 5/16"	FZ, GZ,KZ,TZ	32	354	FH/TFH2480Z
FH/TFH2511Z	74.2	CSR / TRI	1037	1586	2286	3161	4236	5534	1203	0.86	NEW	15.9 - 5/8"	12.7 - 1/2"	7.9 - 5/16"	FZ, GZ,KZ,TZ	32	370	FH/TFH2511Z
TFHD2516Z	106.4	TRI	1566	2371	3343	4504	5877	7481	1911	0.82	NEW	22.2 - 7/8"	15.9 - 5/8"	7.9 - 5/16"	TZ	79	455	TFHD2516Z
TFHD2522Z	148.4	TRI	2074	3173	4573	6322	8472	11069	2407	0.86	NEW	28.6 - 1"1/8	15.9 - 5/8"	7.9 - 5/16"	TZ, KZ	80	455	TFHD2522Z
TFH-TR2524Z	159.6	TRI	2349	3556	5014	6756	8816	11222	2866	0.82	NEW	22.2 - 7/8"	19 - 3/4"	7.9 - 5/16"	TZ	147	794	TFH-TR2524Z
TFH-TR2533Z	222.6	TRI	3110	4759	6859	9483	12708	16603	3610	0.86	NEW	28.6 - 1"1/8	19 - 3/4"	7.9 - 5/16"	TZ	148	794	TFH-TR2533Z
TAG2513Z	100.7	TRI	1068	1761	2666	3823	5272	7053	1414	0.75	NEW	22.2 - 7/8"	15.9 - 5/8"	6.35 - 1/4"	TZ	44	368	TAG2513Z
TAG2516Z	112.5	TRI	1558	2361	3389	4688	6305	8288	1869	0.83	NEW	22.2 - 7/8"	15.9 - 5/8"	6.35 - 1/4"	KZ, TZ	44	368	TAG2516Z
TAG2522Z	135	TRI	1869	2833	4067	5625	7566	9946	2072	0.90	NEW	28.6 - 1"1/8	15.9 - 5/8"	6.35 - 1/4"	KZ, TZ	47	393	TAG2522Z
TAG2525Z	145	TRI	2096	3159	4486	6122	8114	10506	2305	0.91	NEW	28.6 - 1"1/8	15.9 - 5/8"	6.35 - 1/4"	TZ	47	393	TAG2525Z
TAGD2532Z	201.4	TRI	3115	4722	6778	9375	12610	16577	3737	0.83	NEW	22.2 - 7/8"	15.9 - 5/8"	6.35 - 1/4"	TZ, KZ	104	560	TAGD2532Z
TAGD2544Z	225	TRI	3738	5666	8134	11250	15132	19892	4143	0.90	NEW	22.2 - 7/8"	15.9 - 5/8"	6.35 - 1/4"	TZ, KZ	104	560	TAGD2544Z
TAG-TR2548Z	337.5	TRI	4673	7083	10167	14063	18916	24865	5606	0.83	NEW	34.9 - 1" 3/8	22.2 - 7/8"	6.35 - 1/4"	TZ	183	820	TAG-TR2548Z
TAG-TR2566Z	405	TRI	5607	8500	12201	16875	22699	29839	6215	0.90	NEW	34.9 - 1" 3/8	22.2 - 7/8"	6.35 - 1/4"	TZ	183	820	TAG-TR2566Z

Please refer to Tecumseh Guidelines for using R449A/R452A refrigerants with R404A models

NEGATIVE REFRIGERATION - LBP

R449A

Model Number	Displacement cm ³	Motor Type	Cooling Capacity (Watt) +40°C condensing T°, 3K sub-cooling, 10K superheating, Dew/Dew						Evaporating T°C -35°C		Tube Connections			Available Voltages	Weight Kg	Height mm (H)	Model Number	Model Number
			Evaporating T°C						P abs (Watt)	COP (W/W)	Suction (mm/inches)	Discharge (mm/inches)	Process (mm/inches)					
			-35°C	-30°C	-25°C	-20°C	-15°C	-10°C										

R449A



RG/HGA2426Z	9.5	CSR	252	341	449	580	738	925	273	0.92	NEW	9.5 - 3/8"	7.9 - 5/16"	-	XA, CZ, FZ	11.5	266 / 163	RG/HGA2426Z
RG/HGA2432Z	11.5	CSR	311	419	549	706	894	1115	327	0.95	NEW	9.5 - 3/8"	7.9 - 5/16"	-	XA, CZ, FZ	12	276 / 163	RG/HGA2432Z
RG/HGA2436Z	12.8	CSR	329	445	586	758	965	1210	358	0.92	NEW	12.7 - 1/2"	7.9 - 5/16"	-	XA, CZ, FZ	12	276 / 163	RG/HGA2436Z
RG/HGA2446Z	16.1	CSR	425	576	761	986	1259	1585	447	0.95	NEW	12.7 - 1/2"	7.9 - 5/16"	-	FZ	13	282 / 163	RG/HGA2446Z

50 Hz

Model Number	Displacement cm ³	Motor Type	Cooling Capacity (Watt) +40°C condensing T°, 3K sub-cooling, 10K superheating, Dew/Dew						Evaporating T°C -35°C		Tube Connections			Available Voltages	Weight Kg	Height mm (H)	Model Number	Model Number
			Evaporating T°C						P abs (Watt)	COP (W/W)	Suction (mm/inches)	Discharge (mm/inches)	Process (mm/inches)					
			-35°C	-30°C	-25°C	-20°C	-15°C	-10°C										

R449A



SH2524Z	206	TRI	2404	3320	4440	5798	7430	9361	2204	1.51	NEW	28.6 - 1" 1/8	12.7 - 1/2"	-	YZ	55	295	SH2524Z
SH2529Z	275	TRI	2696	3913	5410	7230	9421	12016	2380	1.64	NEW	28.6 - 1" 1/8	12.7 - 1/2"	-	YZ	79	293	SH2529Z
SH2534Z	322	TRI	3416	4874	6662	8835	11447	14538	2956	1.65	NEW	28.6 - 1" 1/8	15.9 - 5/8"	-	YZ	79	293	SH2534Z
SH2542Z	375	TRI	4247	5914	7947	10413	13375	16886	3530	1.68	NEW	34.9 - 1" 3/8	15.9 - 5/8"	-	YZ	79	297	SH2542Z
SH2552Z	412	TRI	5116	7088	9481	12368	15819	19889	4005	1.77	NEW	34.9 - 1" 3/8	15.9 - 5/8"	-	YZ	79	297	SH2552Z
SH2568Z	592	TRI	7044	9750	12956	16806	21450	27026	5396	1.81	NEW	34.9 - 1" 3/8	15.9 - 5/8"	-	MZ	120	363	SH2568Z
SH2575Z	644	TRI	7636	10686	14317	18686	23962	30295	5809	1.84	NEW	41.3 - 1" 5/8	15.9 - 5/8"	-	MZ	130	363	SH2575Z

Please refer to Tecumseh Guidelines for using R449A/R452A refrigerants with R404A models

DIMENSIONS

DIMENSIONS

Indicative drawings
 Sizes may vary depending on the model.
 Please refer to the technical data sheet for exact dimensions



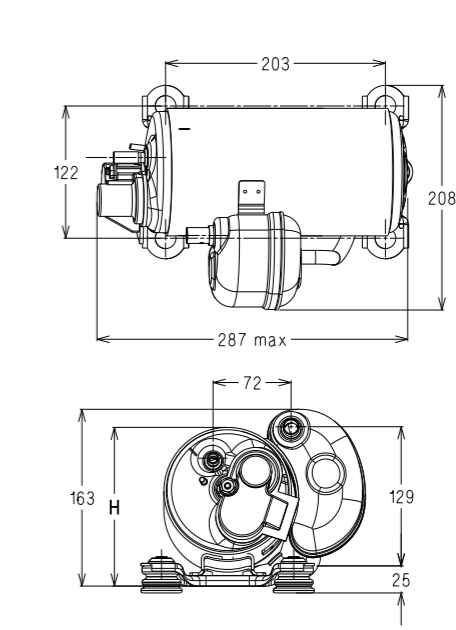
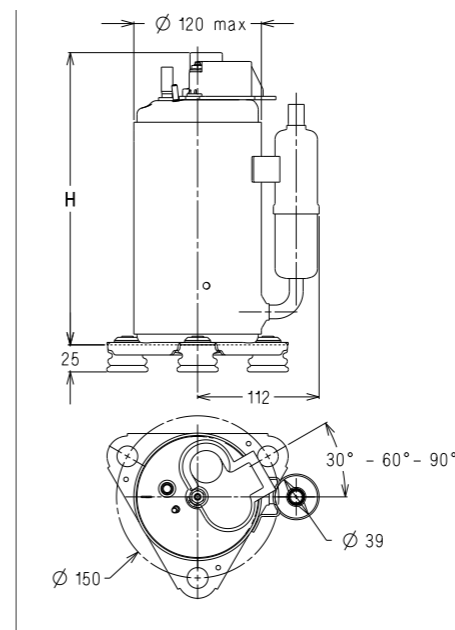
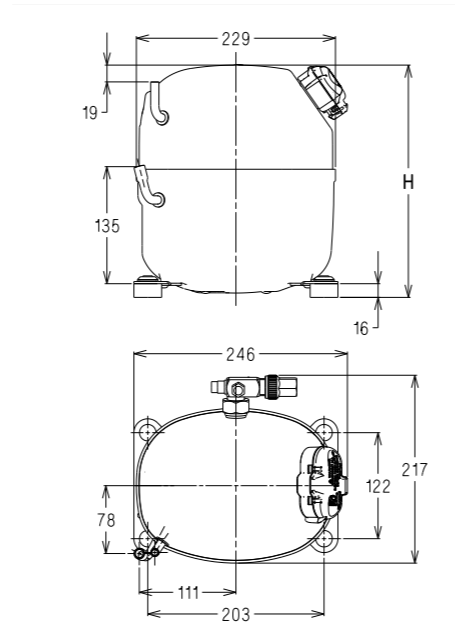
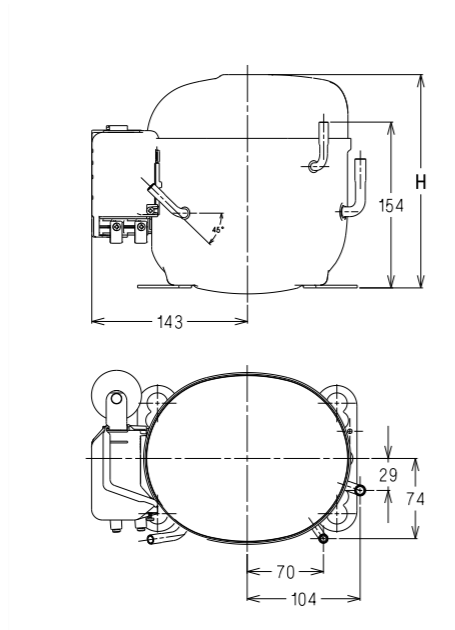
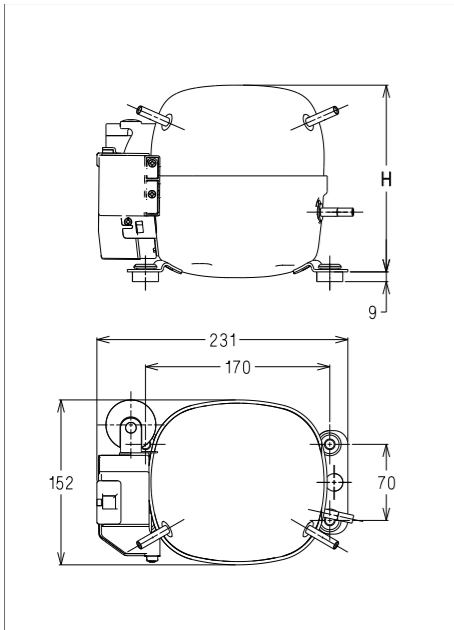
TH

AE²

AJ²

RG

HG

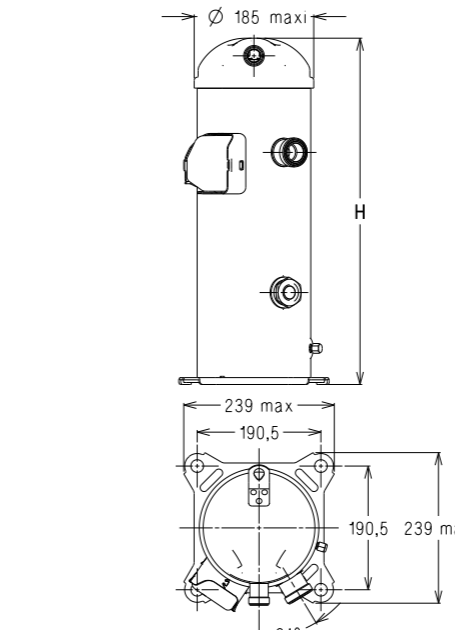
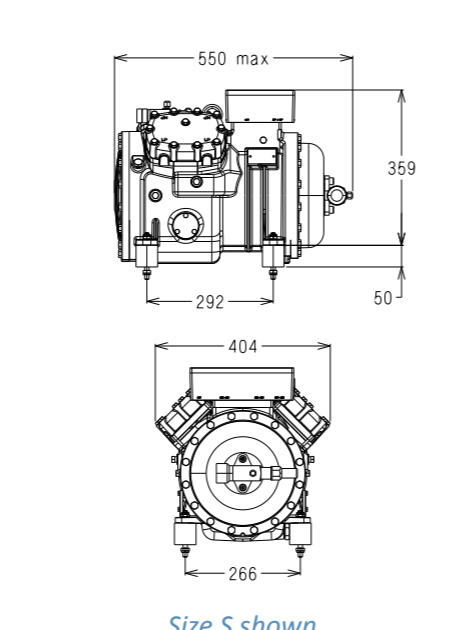
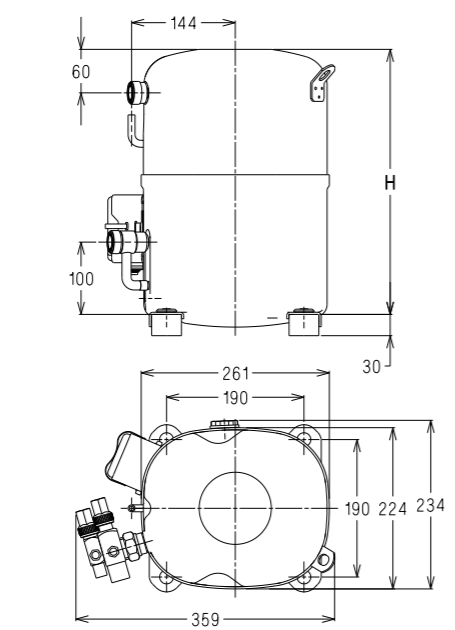
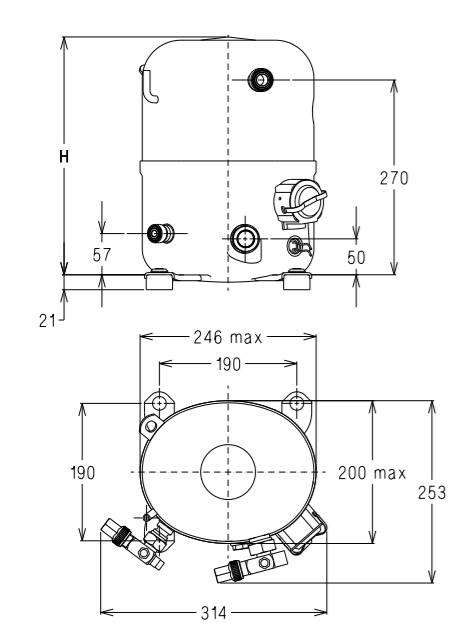


FH

AG

SH

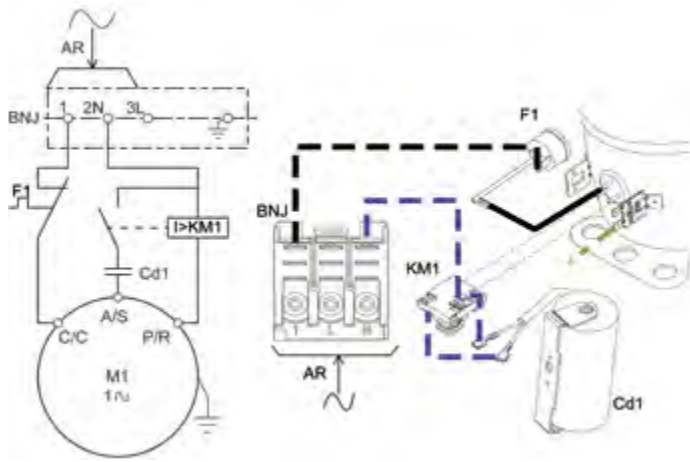
VSC



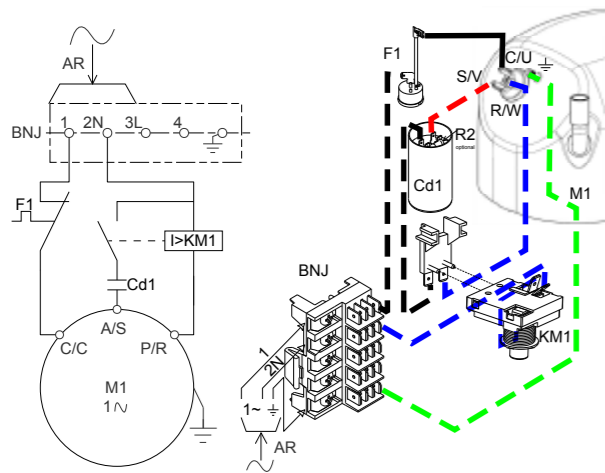
Size S shown.
 Dimensions vary depending
 on compressor model.



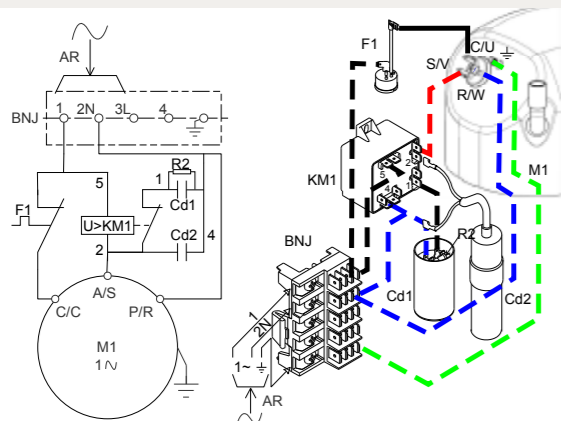
TH / AE²-CSIR



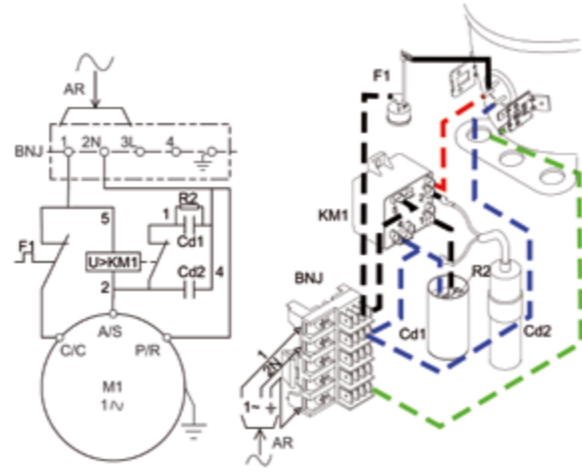
AJ²-CSIR-RI



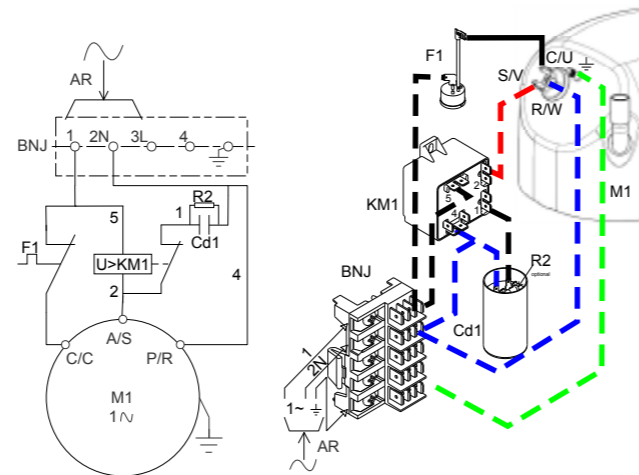
AJ²-CSR



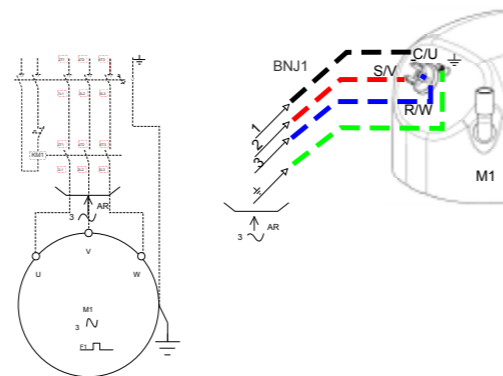
AE²-CSR



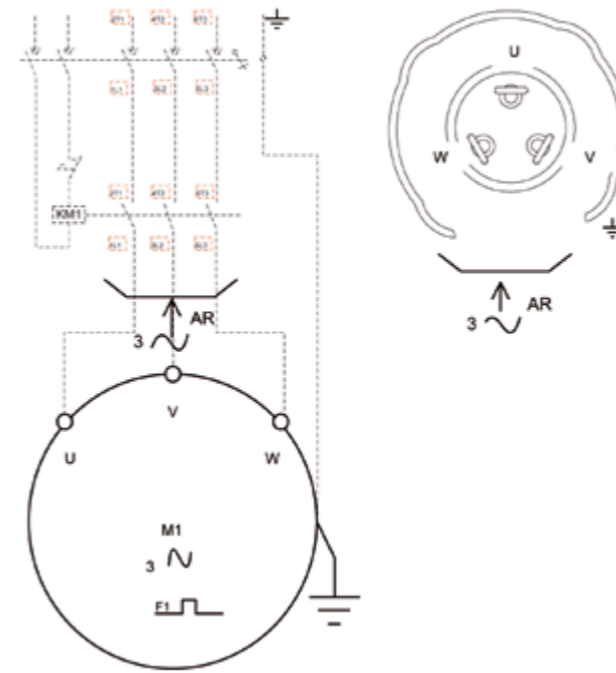
AJ²-CSIR-RU



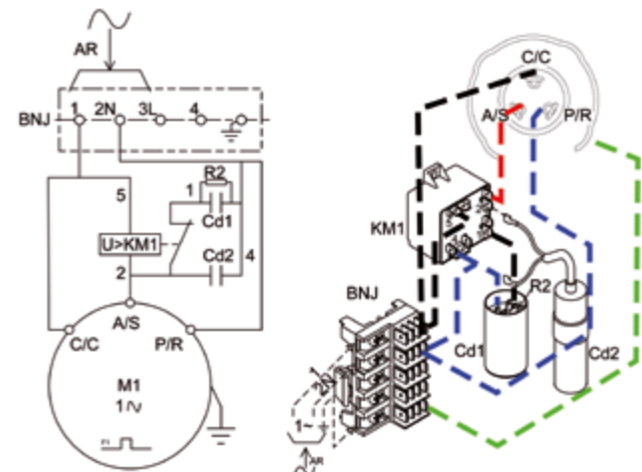
AJ²-TRI



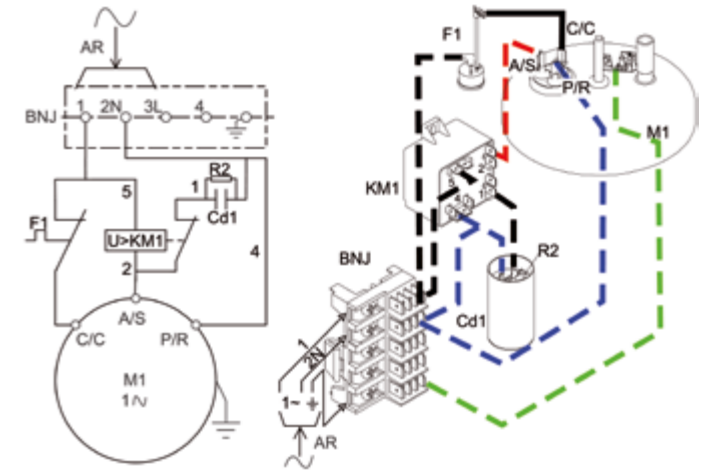
FH / AG / VSC-TRI



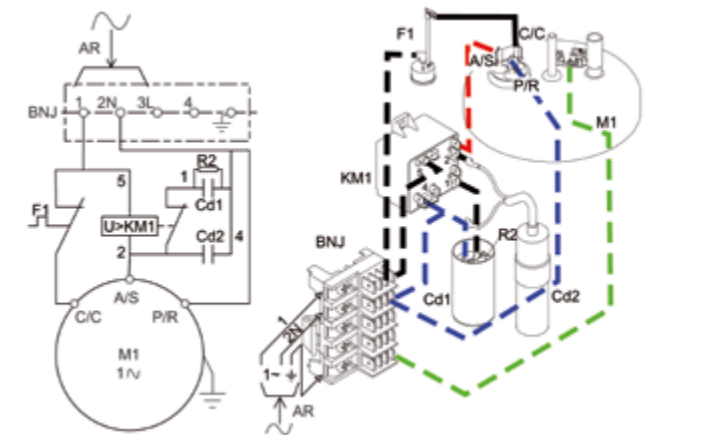
FH / AG / VSC-CSR



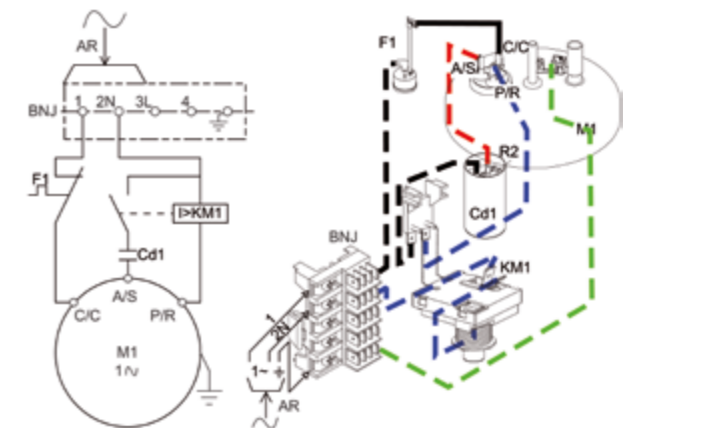
CSIR-RU



CSR-RU



CSIR-RI



SH electrical drawings are provided with technical data sheet. Please refer to Tecumseh Selection Software



Tecumseh

EUROPEAN HEAD OFFICE

2, avenue Blaise Pascal
38 090 Vaulx-Milieu
France
Tel.: +33 (0)4 74 82 24 00
info@tecumseh.com

GERMAN OFFICE

M 7, 16 - 18
68161 Mannheim
Germany
Tel. int+49 (0)621 862407
Fax int +49 (0)621 862407-19

ITALIAN OFFICE

Via Parco Abbaziale, 6
10 094 Giaveno (TO)
Italia
Tel. int +39 (0)11 937 98 61
Fax int +39 (0)11 937 83 88

SPANISH OFFICE

Edificio BCIN, C/Marcus Porcius nº1
08915 Badalona-Barcelona
España
Tel. int +34 932 18 57 08

BRITISH OFFICE

One Victoria Square
Birmingham B1 1BD
United Kingdom
Tel. int + 44 (0) 121 632 2900
Fax int +33 (0)4 74 82 24 94



This accreditation guarantees the exactness of the measurements provided by Tecumseh's laboratory to their installers, prescribers and end-users

LABORATORY EQUIPEMENT

- 6 climatic rooms
- 2 acoustic rooms
- 12 calorimetric rooms

LABORATORY ACCREDITATION

- Calorimetric performance measurement
- Acoustics testing
- Safety and reliability testing



Tecumseh's Laboratory in Europe is accredited by COFRAC (ISO17025) for 3 testing programs

French Accreditation Committee COFRAC: the only body responsible for issuing accreditation to bodies involved in the conformity assessment in France

AGENCY APPROVALS

Tecumseh products are sold throughout the world and include the following state agency approvals:



Hermetic and Semi-Hermetic
Compressor Range Catalog-EN
August 2016

Publication # TC-014 EUR Rev 1, 08-16



Cooling For a Better Tomorrow™

www.tecumseh.com

Tecumseh reserves the right to change information contained in this document without notification
©2016 Tecumseh Products Company. All rights reserved